

# INSTRUCTIONS

CB Gimbal-LS, CB Gimbal-LB



32 Alpha Park  
Cleveland, Ohio 44143

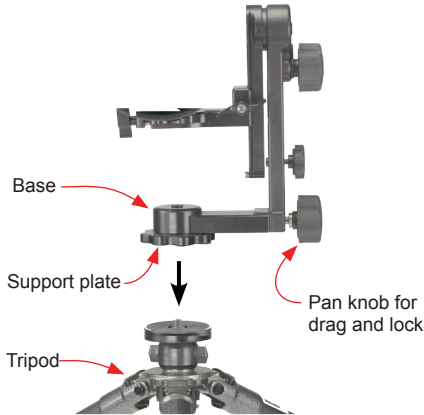
phone 800.530.2289

website: www.custombrackets.com

email: info@custombrackets.com

## Assembling CB Gimbal-LS

### -- Step One --



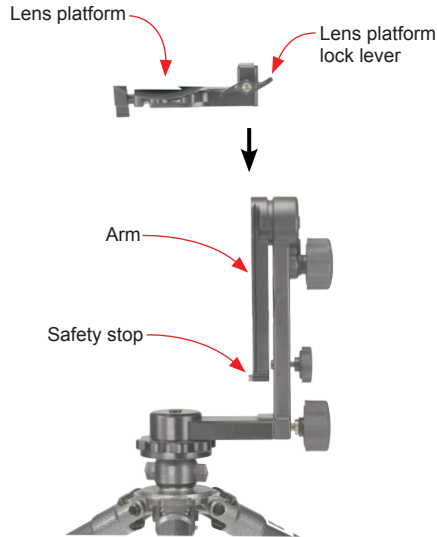
We recommend only using a tripod with a  $\frac{3}{8}$ "-16 mounting stud.

Place base on the tripod's  $\frac{3}{8}$ "-16 mounting stud and rotate support plate clockwise until base is firmly attached to tripod. Hand tightening will be enough to secure the base to tripod. **It is not recommended to use pan knob to secure support plate to tripod.**

#### \*\*\*\*\* Caution \*\*\*\*\*

If you choose to use a tripod with a  $\frac{1}{4}$ " mounting stud, test tripod to make sure it will handle the weight of camera and lens combination. You will need to purchase a  $\frac{3}{8}$ " to  $\frac{1}{4}$ " reducer bushing and install it in bottom of CB Gimbal-LS's support plate.

### -- Step Two --

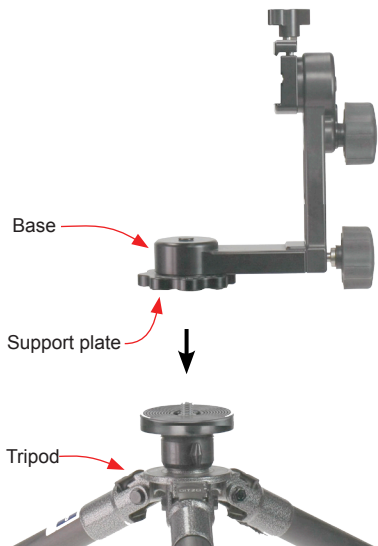


Loosen lens platform knob and slide lens platform into arm until it rests on the safety stop. Tighten lens platform knob to secure lens platform.

#### \*\*\*\*\* Note \*\*\*\*\*

Final height location of lens platform is explained in "CB Gimbal-LS Features" on reverse side.

## Assembling CB Gimbal-LB



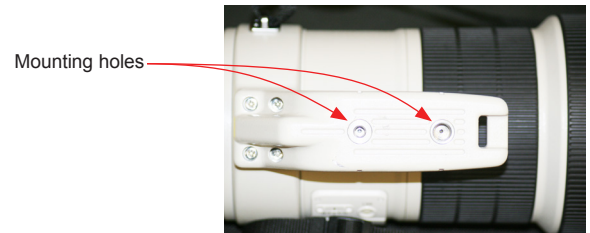
We recommend only using a tripod with a  $\frac{3}{8}$ "-16 mounting stud.

Place base on the tripod's  $\frac{3}{8}$ "-16 mounting stud and rotate support plate clockwise until base is firmly attached to tripod. Hand tightening will be enough to secure the base to tripod. **It is not recommended to use pan lock to secure support plate to tripod.**

#### \*\*\*\*\* Caution \*\*\*\*\*

If you choose to use a tripod with a  $\frac{1}{4}$ " mounting stud, test tripod to make sure it will handle the weight of camera and lens combination. You will need to purchase a  $\frac{3}{8}$ " to  $\frac{1}{4}$ " reducer bushing and install it in bottom of CB Gimbal-LB's support plate.

## Attaching lens plate to lens



Lenses either have  $\frac{1}{4}$ " or  $\frac{3}{8}$ " threads. (1)  $\frac{3}{8}$ " and (2)  $\frac{1}{4}$ " screws are included with each lens plate - it is important to use the correct size.



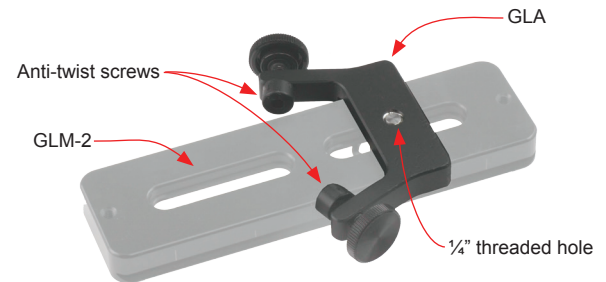
Install screw(s) into lens plate at the labeled ends. If not, the screw(s) may be damaged. Some lenses will require that both screws be in one slot for balancing the lens.

The "D" screws have fold out clips for hand tightening. To make it tighter, use a straight screwdriver or quarter.

Screw the GLM-1 or GLM-2 to the bottom of your lens foot using the "D" screws that correspond to the lens mounting holes.

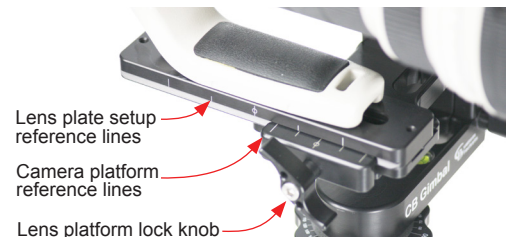
Do not insert any object as leverage into the "D" clip.

## Attaching GLA (lens anti-twist) to GLM-2 (lens plate)



If using the optional GLA (lens anti-twist), use the  $\frac{1}{4}$ " threaded screw that is included with the GLM-2 (lens plate). Attach the GLA on top of the GLM-2 and tighten down. Once the lens is attached per the instructions below, position the GLA so that it is closest to the lens foot. Next, tighten each anti-twist screw equally towards the center until they are tight against the lens foot.

## Attaching lens to CB Gimbal-LS



Rotate setup lever into arm pocket (see "CB Gimbal-LS Features" for location on reverse side).

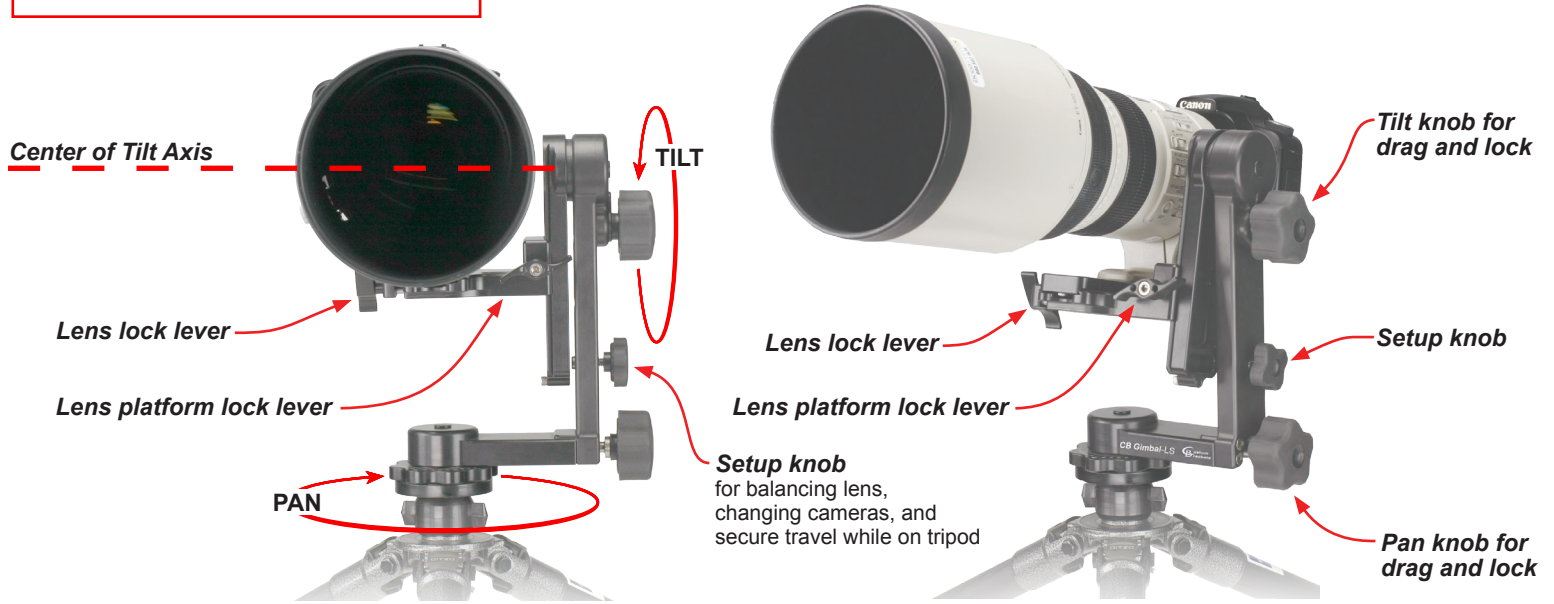
Install lens plate by loosening lens lock knob all the way, then place lens plate into lens platform. Tighten lens platform lock knob completely, then loosen  $\frac{1}{2}$  turn. Slide lens plate forward or backward to achieve balance, then retighten lens platform lock knob.

Achieving balance is similar on CB Gimbal-LB.

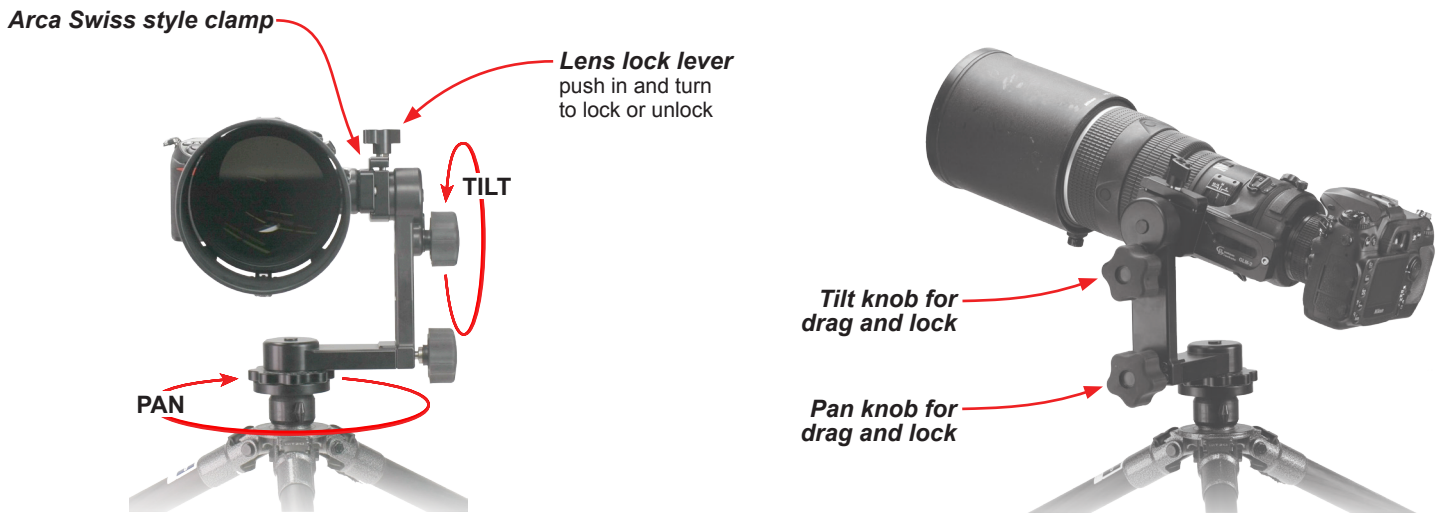
\*\*\*\*\* **Note** \*\*\*\*\*

**Adjusting the lens center height**  
For balancing the lens, position the lens slightly above the center of the tilt axis (best position is when lens stays at any angle without drag)

--- **CB Gimbal-LS Features** ---



--- **CB Gimbal-LB Features** ---



**CB Gimbal-LS and CB Gimbal-LB Facts**

The CB Gimbal-LS and CB Gimbal-LB have many unique features found only in our Custom Brackets gimbal line. It is constructed from aircraft aluminum that is "hard anodized" for a lightweight and scratch resistant finish. All levers have an ergonomic design and are machined from aluminum to prevent breakage. All of the fasteners are made from stainless steel to resist corrosion. The pan and tilt knobs have a rubberized coating for comfort, traction, and to resist cold weather. The CB Gimbal-LS has a setup / travel knob that is used for balancing the lens and securing for travel from location to another when the lens is still attached.

**USA 5 Year Warranty**

For a period of five (5) years from date of purchase, Custom Brackets will repair or replace free of charge, any defect in material or workmanship. Warranty does not cover repairs due to customer abuse, negligence, impact or any modifications made by the customer. All knobs are installed using "loctite" to prevent them from unscrewing. Hand tightening is sufficient to secure any component and the lens plate. Excessive force unscrewing will cause the knobs to unscrew and void warranty. Warranty service is available by returning the CB Gimbal-LS or CB Gimbal-LB (shipping prepaid) to Custom Brackets. All returns must include a return authorization (RA) number (contact Custom Brackets to obtain), letter explaining the problem, and a copy of the sales receipt.

**International 5 Year Limited Warranty**

For a period of five (5) years from date of purchase, Custom Brackets will repair or replace free of charge, any defect in material or workmanship. Warranty does not cover repairs due to customer abuse, negligence, impact or any modifications made by the customer. All knobs are installed using "loctite" to prevent them from unscrewing. Hand tightening is sufficient to secure any component and the lens plate. Excessive force unscrewing will cause the knobs to unscrew and void warranty. Limitation to the warranty - after year one shipping charges are not covered. Warranty service is available by returning the CB Gimbal-LS or CB Gimbal-LB (shipping prepaid) to Custom Brackets. All returns must include a return authorization (RA) number (contact Custom Brackets to obtain), letter explaining the problem, and a copy of the sales receipt.

**Repair**

Repair service is available by returning the CB Gimbal-LS or CB Gimbal-LB (shipping prepaid) to Custom Brackets. All returns must include a return authorization (RA) number (contact Custom Brackets to obtain), letter explaining the problem, and a copy of the sales receipt. A repair cost will be issued and must be approved prior to any repairs. Shipping charges are the responsibility of the customer.

**Maintenance**

The CB Gimbal-LS and CB Gimbal-LB are designed to be completely maintenance-free. The bearing rotation tension is factory set. Attempting to adjust the tension will void the warranty and may result in damage to the camera or lens.