



GO Big Mount Installation Instructions (K13-400,410, 420, 430)

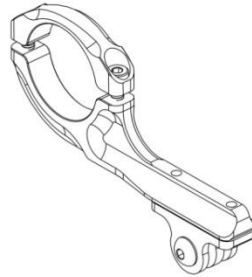
**K13-400
GoBig Universal
Mount**



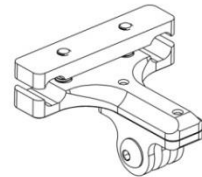
**K13-410
GoBig Basic
Handlebar
Mount**



**K13-420
GoBig Pro
Handlebar
Mount**



**K13-430
GoBig Saddle
Mount**



Description:

The K-Edge GO BIG Mount series is designed for installation of a GoPro camera or GARMIN VIRB camera (with GARMIN supplied adapter) to virtually any surface.

Compatibility:

The K13-400 GO BIG Adapter universal mount series is designed to attach a GoPro camera or GARMIN VIRB camera (with GARMIN supplied adapter) to virtually any surface.

The K13-410 GO BIG Handlebar series is designed to attach a GoPro camera or GARMIN VIRB camera (with GARMIN supplied adapter) to bicycle handlebars.

The K13-420 GO BIG Pro Handlebar series is designed to attach a GoPro camera or GARMIN VIRB camera (with GARMIN supplied adapter) in front of bicycle handlebars, out of the way of your hands and your vision.

The K13-430 GO BIG Pro Saddle Rail series is designed to attach a GoPro camera or GARMIN VIRB camera (with GARMIN supplied adapter) to rails underneath a bicycle saddle.

Warnings:

These instructions are generalized to accommodate a wide ranges of setups for a bike. If your setup does not match what is being described, take extra care in the process of your setup and contact K-Edge Support if you have any questions.

Improper installation of any K-Edge product or use outside of its design intentions could lead not only to damaging the bike but could also cause personal injury to the rider.

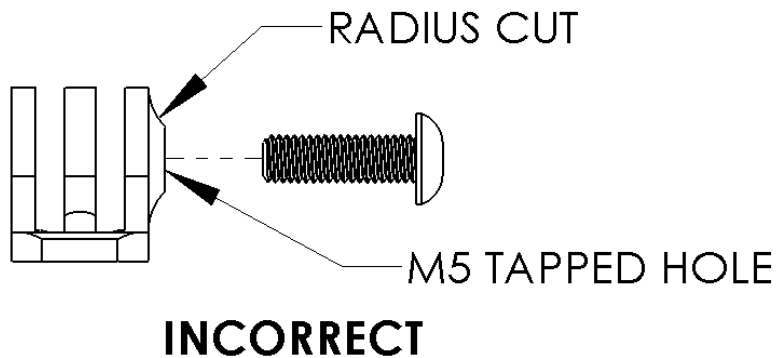
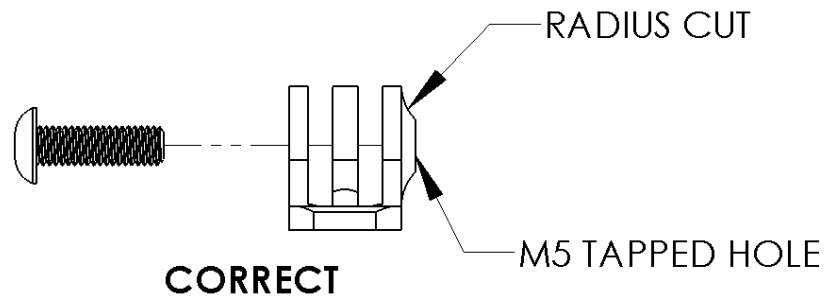
Parts Included:

- K13-400: (Surface mounting bolts not included)
 - ✓ 1x GO BIG Adapter mount
 - ✓ 1x M5 x 16mm bolt
- K13-410
 - ✓ 1x GO BIG Handlebar mount
 - ✓ 1x M5 x 16mm bolt
 - ✓ 2x M4 x 12mm clamp bolt
- K13-420
 - ✓ 1x GO BIG Pro Handlebar mount
 - ✓ 1x M5 x 16mm bolt
 - ✓ 2x M4 x 12mm clamp bolt
- K13-430
 - ✓ 1x GO BIG Pro Saddle Rail mount
 - ✓ 1x M5 x 16mm flat head bolt

Tools/Items Required:

- ✓ Metric Allen Set (3mm for clamp bolt and 4mm for mounting bolt)
- ✓ Torque wrench

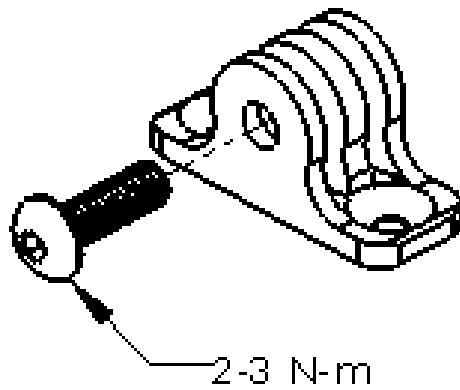
Note: (Applies to: K13-400/410/420/430/460) Prior to installation please ensure that the camera mounting bolt is installed correctly.



Installation Steps:

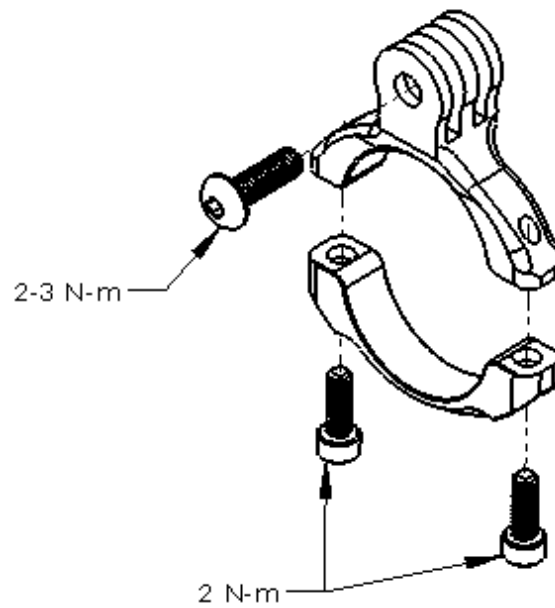
K13-400:

1. Position the adapter to any flat surface for "optimal" camera placement. (Mounting bolts not included)
2. Attach camera to adapter in the desired direction.
3. Torque camera mounting bolt to 2-3 N-m. See image below:



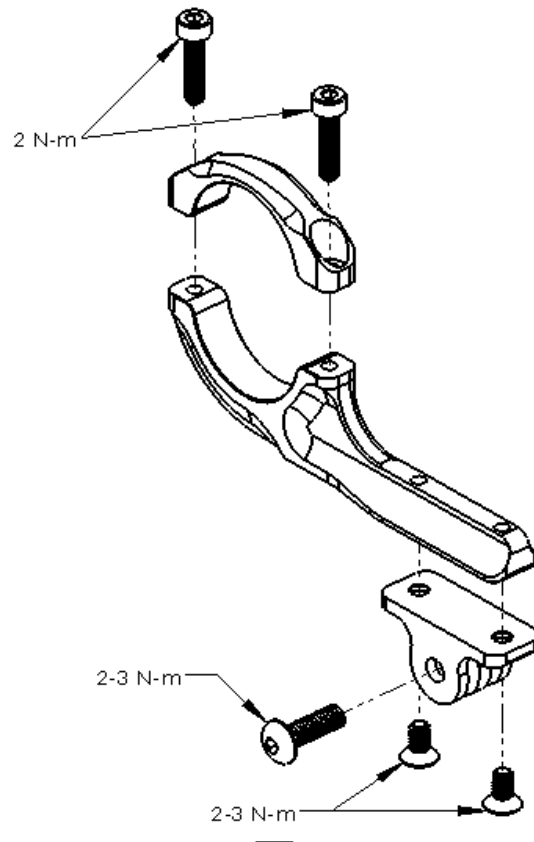
K13-410:

1. Place the clamp on compatible 31.8mm diameter handlebars to the desired location (clamp separation may be necessary).
1. Torque the clamp bolts to 2 N-m, maintaining equal spacing between clamp halves to ensure the bolts are evenly torqued.
2. Attach camera to the adapter in the desired direction. (Towards rider or terrain)
3. Torque camera mounting bolt to 2-3 N-m. See image below:



K13-420:

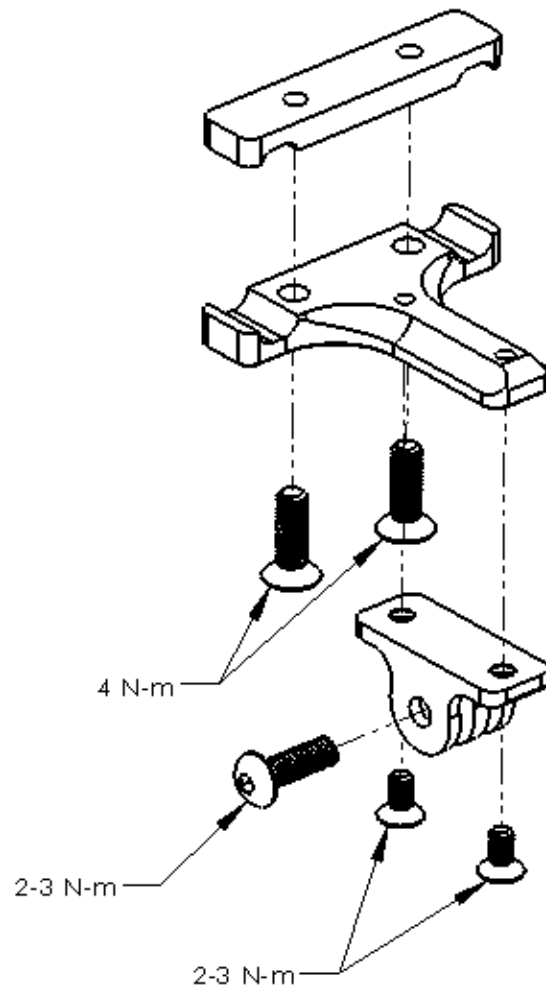
1. Place the clamp on compatible 31.8mm diameter handlebars to the desired location (clamp separation may be necessary).
2. Torque the clamp bolts to 2 N-m, maintaining equal spacing between clamp halves to ensure the bolts are evenly torqued.
3. Attach camera to the adapter in the desired direction.
4. Torque camera mounting bolt to 2-3 N-m. See image below:



K13-430

Note: If the saddle bolts on the K13-430 do not have thread lock applied to threads, it is strongly recommended that 'temporary' thread lock be applied to these threads.

1. Attach the saddle mount to the rails underneath the saddle.
2. Equally torque the bolts to 4 N-m.
3. Attach camera to the adapter in the desired direction.
4. Torque camera mounting bolt to 2-3 N-m. See image below:



Troubleshooting:

- Camera mounting bolt is tight but camera itself is still loose (i.e. rotates/pitches easily).
 - Check that the camera mounting bolt is installed in the right direction (see initial note in 'Installation Steps' section).

***If the bolt is installed incorrectly the bolt will 'bottom-out' and the head of the bolt will 'strip-out' or break while the camera is installed but the camera will not have its pitch locked.
- GO BIG handlebar mount isn't evenly mounted on handlebars.
 - Check the clamp bolts for proper torque.
 - Check the clamp bolts for spacing between the clamp halves to ensure the clamp is equally torqued on both bolts.
 - Check that the clamp is not mounted on a tapered portion of the handlebars.
- Camera won't adjust direction when using the saddle mount.
 - Check the positioning of the saddle mount for contact between the saddle and camera.
If there is contact, adjust the saddle mount further down the rails.

Support/Contact:

If problem(s) still persist after troubleshooting, please contact K-Edge Support for further assistance at info@K-Edge.com immediately. Please be sure to include your full name, phone number, K-Edge product purchased, brand and model of bike, crankset with ring sizes, front derailleur, cassette size (if applicable), rear derailleur (if applicable) and a brief description of your problem.