

REFLECTOR

ADAPTER

FOR SPEEDLIGHT



INTRODUCTION

Thank you for choosing the Raya Reflector Adapter for Speedlight. This kit enables you to securely mount flashes of all sizes to a softbox using its built-in shoe mount, even with a wireless remote trigger attached. The all-metal construction of the flash bracket has a 5.1" (13 cm) riser to accommodate the extra height from large lighting units, like bare-bulb flash devices. Additionally, the all-metal Bowens S-style reflector mount provides a simple, sturdy locking mount, so that you can attach your light modifiers with confidence.

FEATURES

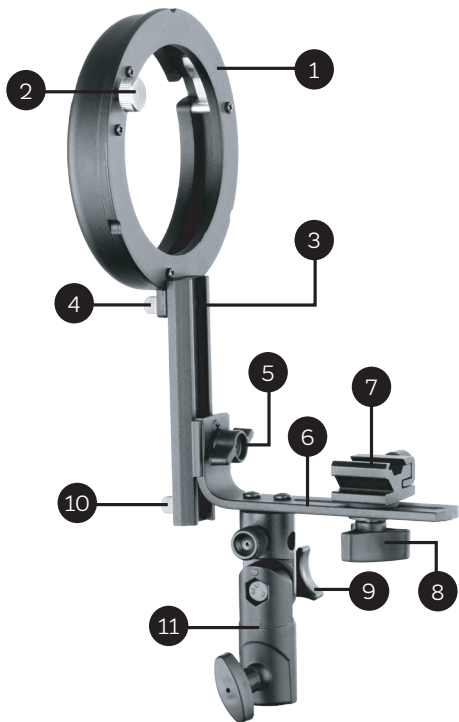
- 5.1" (13 cm) riser accommodates large Speedlights including those with hot-shoe remotes
- All-metal flash bracket construction
- Easy setup and takedown

IN THE BOX

- Flash bracket
- Carrying case
- Instruction manual

OVERVIEW

1. Reflector mounting ring
2. Reflector mount locking knob
3. Riser
4. Pair of knurled screws
5. Riser mount tightening knob
6. Flash bracket
7. Adjustable shoe mount
8. Shoe mount tightening knob
9. Geared locking joint
10. Safety screw
11. Stand adapter

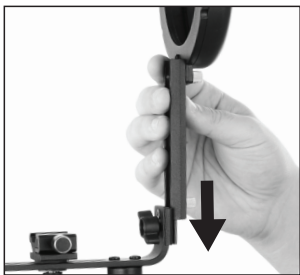


SETTING UP THE FLASH BRACKET

- 1 Remove the flash bracket parts from the carrying case.
- 2 Line up the twin screw slots at the bottom of the reflector mounting ring with the smooth side of the riser, and install the two knurled screws to those slots.



- 3 Slide the riser into the flash bracket's riser mount. The safety screw must be loosened enough to allow the riser to slide on the bracket. Once the riser is in place, tighten the safety screw to secure. Tighten the riser mount locking knob to fully secure it in place.



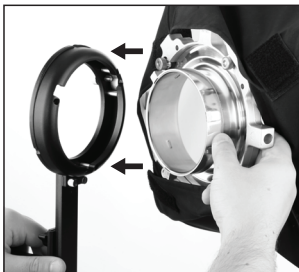
- 4 Place the flash bracket with mount ring on a light stand (using the reversible 1/4" - 20, 5/8" female/female adapter on the stand mount if required). The mount includes a geared locking joint for tilt adjustments.



CONNECTING THE FLASH BRACKET

TO A SOFT BOX

- 1 To install the flash bracket to the softbox, simply align the speed ring tabs with the notches on the reflector mount ring and insert the ring.



- 2 Rotate the speed ring clockwise slightly until it gently clicks into place.
- 3 Tighten the locking knob on the rear of the reflector mount to secure the speed ring.



INSTALLING ACCESSORIES TO THE REFLECTOR MOUNT

- 1 The softbox mounting ring is compatible with many light-modifying accessories, including snoots, grid reflectors, and beauty dishes.



Beauty dish



Speed ring



INSTALLING ACCESSORIES TO THE MOUNTING BRACKET

- 1 The mounting bracket has an adjustable shoe mount, capable of supporting larger flash units within softboxes. Additionally, flashes equipped with remote triggering devices are compatible.



- 2 To connect a shoe-mount foot onto the mounting bracket, simply slide the foot into the mount and tighten the mount's locking screw to secure. Make sure to secure your device to the mount before proceeding.

ONE-YEAR LIMITED WARRANTY

This RAYA product is warranted to the original purchaser to be free from defects in materials and workmanship under normal consumer use for a period of one (1) year from the original purchase date or thirty (30) days after replacement, whichever occurs later. The warranty provider's responsibility with respect to this limited warranty shall be limited solely to repair or replacement, at the provider's discretion, of any product that fails during normal use of this product in its intended manner and in its intended environment. Inoperability of the product or part(s) shall be determined by the warranty provider. If the product has been discontinued, the warranty provider reserves the right to replace it with a model of equivalent quality and function.

This warranty does not cover damage or defect caused by misuse, neglect, accident, alteration, abuse, improper installation or maintenance.

EXCEPT AS PROVIDED HEREIN, THE WARRANTY PROVIDER MAKES NEITHER ANY EXPRESS WARRANTIES NOR ANY IMPLIED WARRANTIES, INCLUDING BUT NOT LIMITED TO ANY IMPLIED

WARRANTY OF MERCHANTABILITY OR FITNESS FOR A PARTICULAR PURPOSE. This warranty provides you with specific legal rights, and you may also have additional rights that vary from state to state.

To obtain warranty coverage, contact the Raya Customer Service Department to obtain a return merchandise authorization (“RMA”) number, and return the defective product to Raya along with the RMA number and proof of purchase. Shipment of the defective product is at the purchaser’s own risk and expense.

For more information or to arrange service, visit rayalighting.com or call Customer Service at 212-594-2353.



Product warranty provided by the Gradus Group.

www.gradusgroup.com

RAYA is a registered trademark of the Gradus Group.

© 2014 Gradus Group LLC. All Rights Reserved.