

SR-1500



Dual Grip
Shoulder
Support Rig

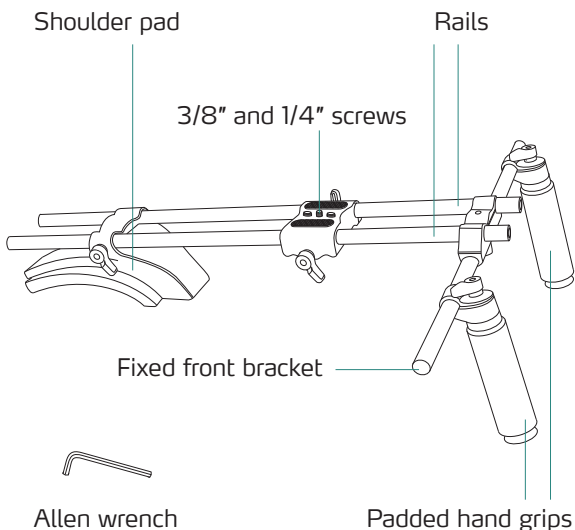
REVO™

Thank you for choosing Revo and congratulations on your purchase of the Revo SR-1500 Dual Grip Shoulder Support Rig

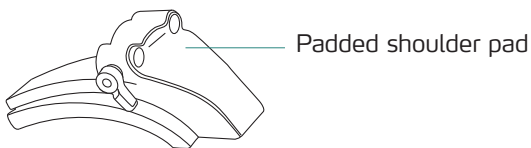
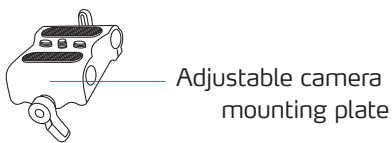
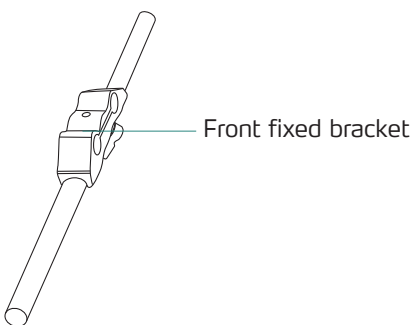
The Revo Dual Grip Shoulder Support stabilizes your DSLR camera, prevents rotation and reduces fatigue so you can keep your camera steady while shooting video—eliminating distracting camera movement for smoother, more professional-looking movies.

Heavy-duty aluminum construction, padded dual grips, an adjustable camera mounting plate, and a padded shoulder support combine to make the SR-1500 a comfortable rig, which results in better images. The universal 15mm rail system is compatible with a wide variety of accessories such as a follow-focus, monitor, lights, etc. The SR-1500 can support up to 30 pounds of gear, including your camera and accessories. It's lightweight, portable, easy to use, and easy to assemble.

Overview



Components

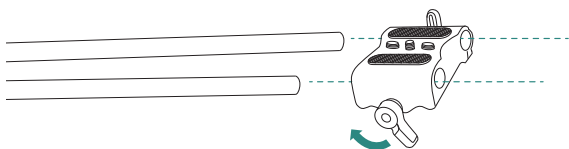


Instructions

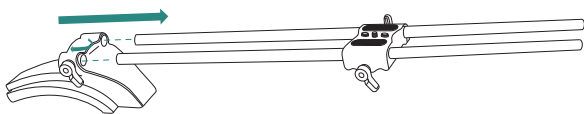
The SR-1500 Dual Grip Shoulder Support Rig gives you a stable platform to support your DSLR camera when shooting video. Dual heavy-duty aluminum rails hold a shoulder pad, camera mounting plate and fixed front bracket with dual padded hand grips that allow you to hold your camera steady for long periods of time. The position of the shoulder pad and the camera mounting plate are adjustable for comfort and stability.

Assembling the Rig

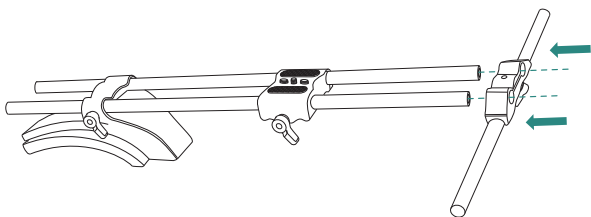
- 1 Slide the camera mounting plate onto the two rails and slide it to a point near the middle of the rails. Tighten the orange thumb-screws just enough so the plate can't easily move.



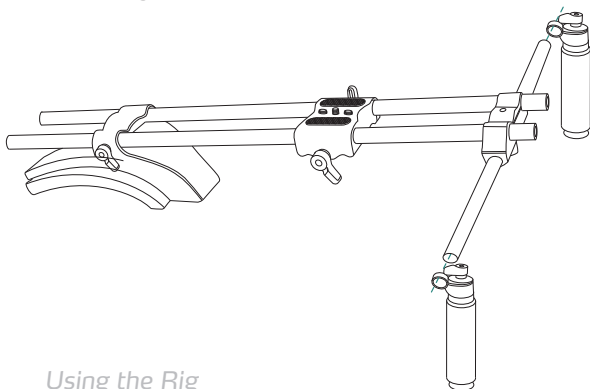
- 2 Slide the shoulder pad onto the rails near one end of the rails (the Revo logo on the shoulder pad should be on the side towards the front) and tighten the orange thumb-screws just enough so the pad can't slide.



- 3 At the opposite end of the rails from the shoulder pad, slide the fixed front bracket onto the end of the rails with approximately one inch of the rails extending past the bracket. The longer portion of the bracket rail should be on the "outside"--for a right-handed person using the rig, the longer portion of the bracket rail should be on the right side of the rig. For a left-handed person, the longer portion of the rail would be on the left side of the rig. Tighten the orange thumb-screw securely.

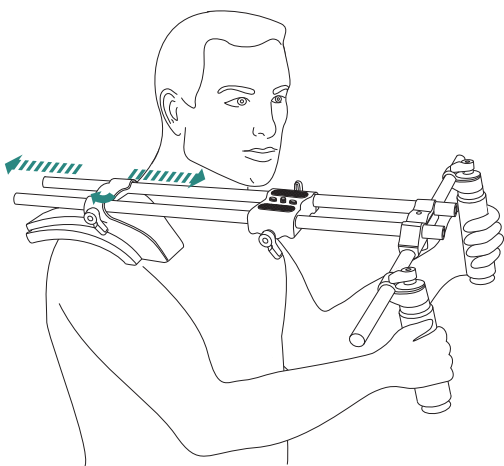


- 4 Slide one hand grip onto the front bracket from each end, and adjust the position of the grips. When they're positioned correctly for you, tighten the orange thumb-screws.

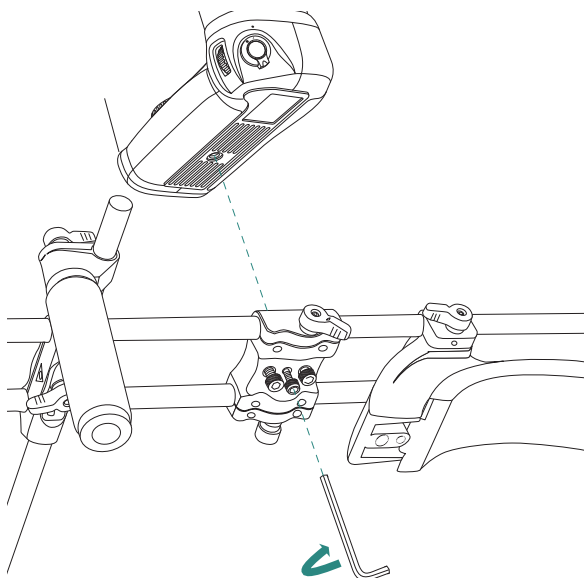


Using the Rig

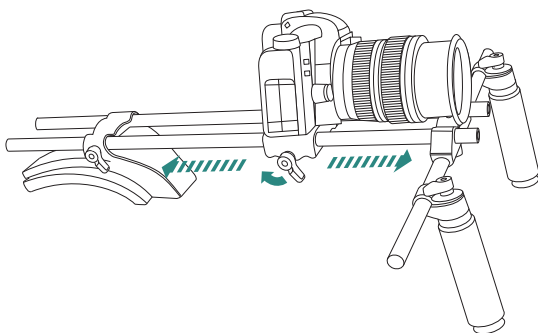
- 1 With the camera mounting plate, shoulder pad, and dual grips assembled, place the rig on your shoulder. Slide the shoulder pad until it's in a comfortable position in relationship to the dual grips. When the shoulder pad is in position, tighten the orange thumb-screw securely to lock it in place.



- 2** Place the camera on the camera mounting plate, using the 1/4" or 3/8" screw. Be careful to maintain balance so the rig doesn't fall over. Withdraw the other two camera mounting screws enough so the camera will sit flat on the camera mounting plate. Tighten the camera mounting screw securely. An Allen wrench is supplied for tightening the camera mounting screw.



- 3** Slide the camera mounting plate with the camera on it on the rails until the camera is in the position you desire. Tighten the orange thumb-screw securely.



Note: When the SR-1500 is not in use, be sure to remove the camera from the mounting plate.

Warnings

- Please read and follow these instructions, and keep this manual in a safe place.
 - Handle the unit with care.
 - Clean the unit with a soft, dry cloth.
 - Use only parts provided by the manufacturer.
 - Make sure everything is secure before proceeding.
 - Make sure the item is intact and that there are no missing parts.
 - Do not exceed the maximum load capacity.
 - All photos are for illustrative purposes only.
-
-

Recommended Accessories

- CW-SR1500 4.1 lb Counter Weight

Visit our website at www.revocinegear.com for more Revo accessories.

Specifications

- Load capacity: 30 lb. (13 kg)
- Dimensions: (H×W×L) 6.5 × 5.1 × 11.75" (16.5 × 13 × 29.8 cm)
- Weight: 1.82 lb. (826 g)

One-year Limited Warranty

Revo provides a limited warranty to the original purchaser that this product is free from defects in materials and workmanship under normal consumer use for a period of one (1) year from the original purchase date or thirty (30) days after replacement, whichever occurs later. Revo's responsibility with respect to this limited warranty shall be limited solely to repair or replacement, at Revo's discretion, of any product that fails during normal consumer use. Inoperability of the product or part(s) shall be determined by Revo. If the product has been discontinued, we reserve the right to replace it with a model of equivalent quality and function.

To obtain warranty coverage, contact Revo to obtain a return merchandise authorization ("RMA") number, and return the defective product to Revo, along with the RMA number and proof of purchase. Shipment of the defective product is at the purchaser's own risk.

This warranty does not cover damage or defect caused by misuse, neglect, accident, alteration, abuse, improper installation or maintenance. EXCEPT AS PROVIDED HEREIN, REVO MAKES NEITHER ANY EXPRESS WARRANTIES NOR ANY IMPLIED WARRANTIES, INCLUDING BUT NOT LIMITED TO ANY IMPLIED WARRANTY OF MERCHANTABILITY OR FITNESS FOR A PARTICULAR PURPOSE. This warranty provides you with specific legal rights, and you may also have additional rights that vary from state to state.