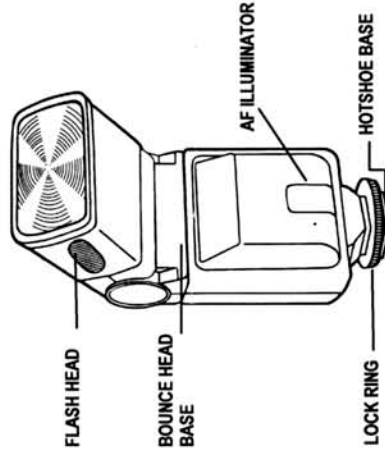
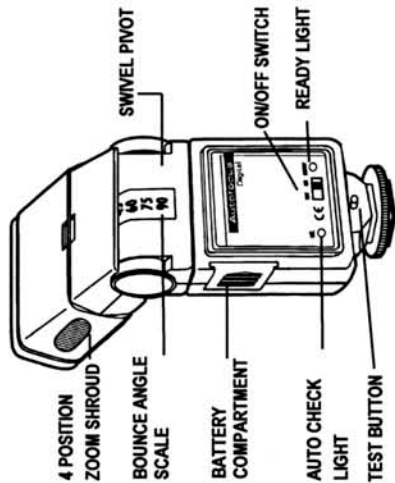


NOMENCLATURE



FLASH FEATURES

- Guide No: 28m/92ft (ISO100@50mm)
- Flash ready indicator in viewfinder
- Full Digital TTL dedication
- Autofocus Infra-Red Assistance beam
- Zoom, bounce and swivel construction
- Automatic shutter speed setting
- Auto check (OK) indicator
- Red eye reduction*
- Second/Rear curtain synchronization*
- Slow synchronization (For Nikon only)
- Dedication: E-TTL I/II (Canon), iTTL (Nikon)
- Camera dependent features. Please check your camera operating instruction manual

PLEASE READ BEFORE YOU USE THE FLASH AND MAINTAINANCE

1. For best flash photography results, set your ISO to 200 and above in both indoor and outdoor.
2. After each picture, wait for at least 4-5 seconds for the flash to be fully charged before taking the next shot even though the ready light is on. This will help to prolong the lifespan of the flash tube as well as to attain the full charging capacity of the flash capacitor for precise flash photography.
3. For precise flash output, it is best to wait till an intermittent humming sound is heard before depressing the shutter.
4. Maintain at least 2m away from your subject.
5. Always set the flash zoom head position according to the zoom position of your camera lens.
6. In the event that the flash exposure is incorrect (over or under exposed or green auto check light does not lit up), you may take either one or more of the corrective action: (1) move closer to the subject (2) Re-adjust your bounce/swivel angle (3) Adjust flash zoom head (4) Increase ISO setting.
7. Bounce or swivel should only be used on lighter colour ceiling or white walls with zoom head set at the 50mm position. Note that when using this feature, 2-3 f/stop of light will be lost due to reflection.
8. Always use a fresh set of 4 batteries of the same brand and type when old batteries are depleted. Mix and match batteries of different types/brands will greatly deteriorate flash performance.
9. When flash is not being used for extended period of time (>2 weeks), remove all batteries to prevent battery leakage. After batteries removal, do not expose the flash unit and batteries to excessive heat such as fire or sun.
10. Charge up and test fire the flash unit at least once per month to maintain the optimal performance of the flash tube and charging capacitor.

BATTERIES INSTALLATION

Ensure that the ON/OFF is in the OFF position. Insert 4 new AA size batteries according to the battery polarity indicated inside the battery chamber.

MOUNTING THE FLASH ON THE CAMERA

Ensure that the On/Off switch is at the OFF position. Slide the flash hotshoe base onto the camera's hot shoe contact and fasten the lock ring in an anti-clockwise motion. Slide the ON/OFF Switch to the ON position. When the Ready Light lights up, the flash is ready to fire. Pressing the Test Button will test fire the unit.

AUTO CHECK LIGHT

The Green Auto Check Light located on the back of the flash is used to confirm that your subject is within the effective TTL range of the flash unit. If your subject is within the effective TTL flash range after shooting, the green Auto Check Light will illuminate for approximate 2 seconds

PROGRAM TTL (P) / AUTO MODE

This flash unit provides automatic Through-The-Lens (TTL) control of the flash exposure when used with dedicated digital cameras. When using this mode, the flash unit will automatically emit the flash output for a balance illumination of the subject and background. The inbuilt AF infra-red assistance beam will turn on automatically to assist the camera to focus in low lighting conditions.

TTL AV, TV AND M MODE

When this flash unit is used in AV, TV or M mode, the flash exposure will be automatically controlled by the camera based on the combination of shutter speed and aperture value.

*For TV mode, do not exceed the maximum camera's flash synchronization speed. In AV mode, setting at a slow speed will usually result in blur pictures caused by handshake. In such situation, the use of tripod is recommended.

SECOND/REAR CURTAIN SYNCHRONIZATION

This mode permits you to release the flash just before the shutter closes during slow shutter speed shooting. In this way, a trail of lighting can be taken behind the main subject when slow shutter speed is being used.

*For rear curtain synchronization setting, refer to your camera instruction manual.

RED EYE REDUCTION

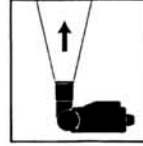
When red eye reduction is activated on the DSLR body, the flash unit will activate a series of preflash before the main flash to reduce the possibility of red-eye occurrence during digital photography.

USING ZOOM HEAD

For proper angle coverage, set the flash zoom head position according to the zoom position of the camera lens.

USING BOUNCE AND SWIVEL HEAD

Various combination of bounce and swivel angle can be used to cut off unwanted shadow or for special soft effect purposes.



DIRECT FLASH



INDIRECT FLASH

CAMERA COMPATIBILITY CHART:

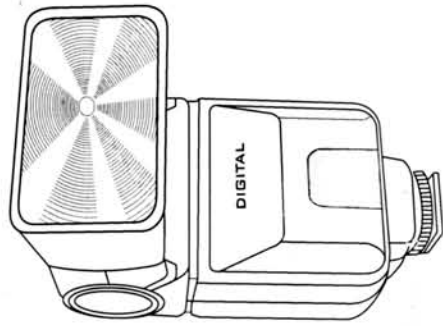
Type	Europe/US Model
Canon (AFC)	Powershot G1, G2, G3, G5, G6, G7, G9, S5 IS Pro 1 3000/Digital Rebel, 3500/Digital Rebel XT, 4000/Digital Rebel XT, EOS 5D, 20D, 30D, 40D, D30, D60, 1D Mark II, 1Ds Mark II
Nikon (AFN)	Coolpix 8400, 8800 D40, D40x, D50, D70, D70s, D80, D200, D300

Due to the rapid introduction of new digital cameras, the above compatibility list may not be updated to indicate the respective new models at the time of printing. Nevertheless, the flash unit is still compatible with new camera models that utilize the latest digital dedication system.

RPS

D728AF

AUTO FOCUS TTL DIGITAL DEDICATED FLASH



SPECIFICATIONS:

- Guide Number: 28m / 92ft (ISO 100@50mm)
- Circuitry: IGBT and series circuitry
- Automatic TTL Range: 14m / 46ft (F2.0)
- AF Illumination: 8m / 26ft
- Dedication: E-TTL/E-TTL II iTTL
- Exposure check: Green Auto Check Light
- Color Temperature: Daylight 5600K
- Zoom Head Position: 28mm to 85mm (35mm equiv)
- Bounce Adjustment: 0 - 90°
- Horizontal Swivel: 0 - 330°
- Flash Duration: 1/700 sec. (Full power)
- Recycling Time: 0.5 - 7 sec.
- Number of flashes: 100 - 300 per set of new batteries
- Power Source: 4 AA Batteries (Alkaline, NiCd or NiMH)
- Dimension (mm): 168 x 48 x 76
- Weight: 221 grams (w/o batteries)