

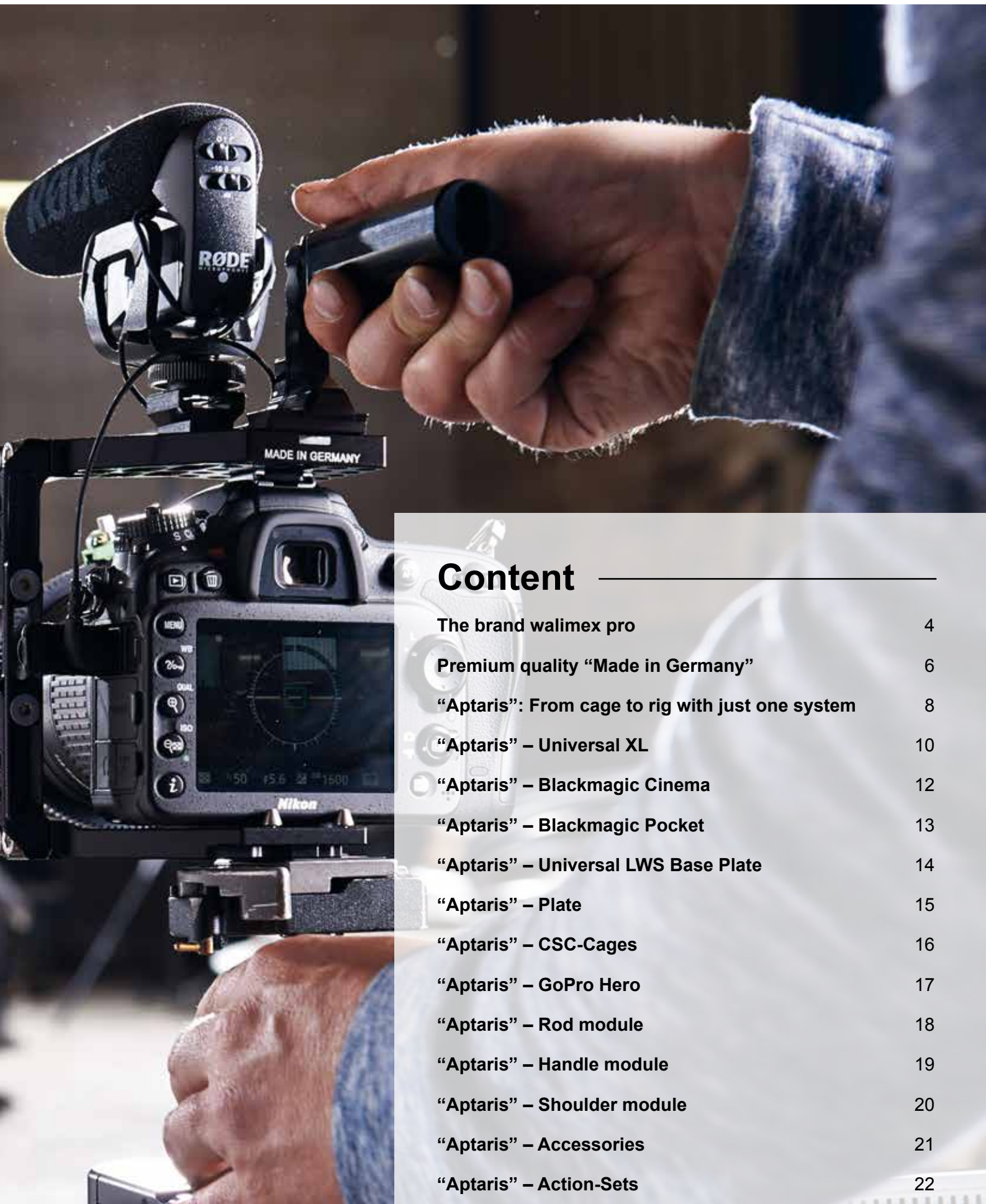
walimexpro[®]
Your Inspiration. Your Chance.



**“Aptaris” Professional
Cage & Rig System 2014 / 2015**

**x x x Made in
Germany**





Content

The brand walimex pro	4
Premium quality “Made in Germany”	6
“Aptaris”: From cage to rig with just one system	8
“Aptaris” – Universal XL	10
“Aptaris” – Blackmagic Cinema	12
“Aptaris” – Blackmagic Pocket	13
“Aptaris” – Universal LWS Base Plate	14
“Aptaris” – Plate	15
“Aptaris” – CSC-Cages	16
“Aptaris” – GoPro Hero	17
“Aptaris” – Rod module	18
“Aptaris” – Handle module	19
“Aptaris” – Shoulder module	20
“Aptaris” – Accessories	21
“Aptaris” – Action-Sets	22

The brand walimex pro





It's your chance to inspire

Our enthusiasm for filming and photography is unbroken. Every day our professionals work with our products in video filming and shootings in our in-house studio. This enables us to adapt the walimex pro products optimally to the requirements of our customers and improve them accordingly. We therefore do everything in our power to inspire with our innovations, ideas and know-how. Become inspired too!

walimex pro is a brand from WALSER GmbH & Co. KG in Burgheim. For us "Made in Germany" means quality that meet highest demands and well thought-out functionality. Precise workmanship down to the smallest detail and high-quality materials are characteristic for our products. Uncompromising quality assurance thereby guarantees intensive control of our product range. A two year warranty underlines our commitment to quality.

Premium quality "Made in Germany"





x x x Made in **Germany**

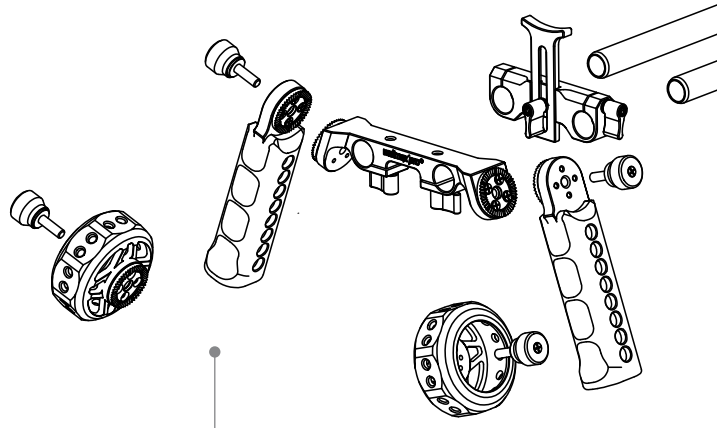
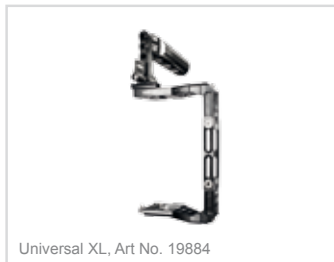
Premium quality “Made in Germany”

Exceptional chances – uncompromising quality: Grasp your chance and create moving memories. With the “Made in Germany” video accessories from walimex pro! For professionals, enthusiasts and all those who have to rely on their equipment. Always and everywhere.

The walimex pro “Aptaris” series “Made in Germany”, developed in cooperation with the German manufacturer SIX, convinces with highest accuracy in workmanship and well thought-out engineering. Designed with superior quality materials, such as extremely light-weight aircraft-grade aluminium and stainless steel. This is what you feel with every use. Extreme durability and longevity characterize this series. Come and see for yourself!

“Aptaris”: From cage to rig with just one system

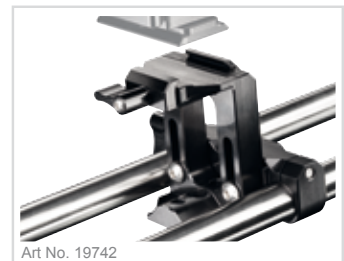
Universal and special cages

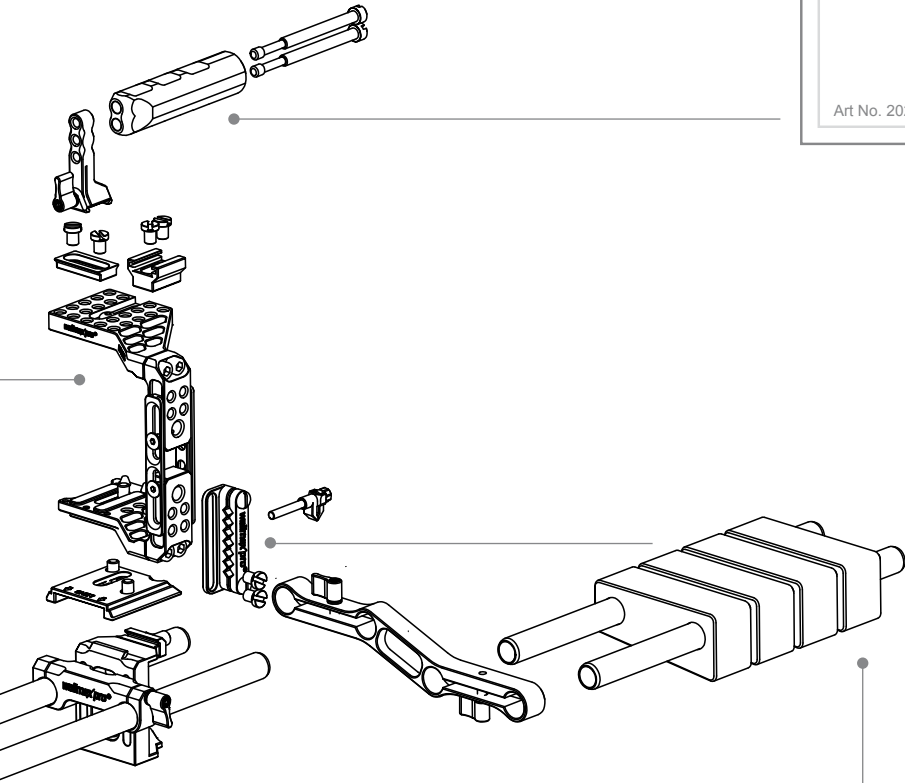


Handle module



Rod module





Handles



Art No. 20200



Art No. 19740

Accessories



Art No. 20049

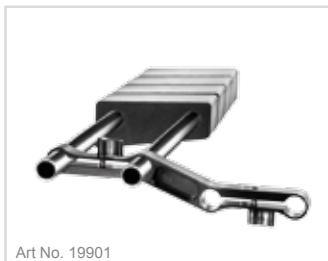


Art No. 20050

Shoulder module



Art No. 19901



wali.mx/aptarisfilm



“Aptaris” Universal XL

Fits most DSLRs and others



CSC-cameras like Sony A7/ Panasonic GH4



DSLR-cameras like Canon 5D / Nikon D800



Camcorder like Sony NEX VG-900



Camcorder like Sony FS 700

With XXL-Adapter, Art. No. 20051



Film cameras like Canon C100 / C300



DSLR-cameras like Canon 1DC / Nikon D4s

Tripod plate for Manfrottos 501 and rod module



Lots of 1/4"-20 threads



walimex pro "Aptaris" Universal XL fits from small to big cameras, such as e.g. Panasonic GH-4, Canon 5D Mark III or Sony Alpha 7 and 7R up to a Sony FS 700. In short, for all cameras whose flash shoe and tripod thread are positioned on one axis and do not exceed or fall short of the inside measurements of the cage. For cameras which are bigger as e.g. the Canon C100 / 300 models you can use the "Aptaris" Universal XXL adapter.

Delivery contents



Set contains _____

- 1x "Aptaris" Universal XL
- 1x Handle incl. L-angle
- 1x Cold shoe adapter
- 1x Quick-release plate
- 1x Angular Allen screwdriver
- 7x Screws
- 2x Stoppers
- 1x Fuse of the cold shoe



Rods on top can be taken off



Lots of 1/4"-20 and 3/8" threads



Rods on top and bottom



Delivery contents



Exactly fitting



Product features

Specially developed for the popular film camera Blackmagic Cinema 2.5 and 4 K, the system adapts to 100 % to your camera, giving you full access to the camera. Thanks to the large number of 1/4"-20 and 3/8" threads around the cage and the rods on top and bottom, a vast amount of accessories, like e.g. microphones, follow focus, etc. can be mounted, as desired.

Set contains

- 1x “Aptaris” Cage for Blackmagic Cinema 2.5 and 4 K
- 1x Handle with mini-rail and L-angle
- 1x Cold shoe adapter
- 1x 250 mm rods
- 1x 200 mm rods, fastening screws, open end spanner

“Aptaris” Blackmagic Pocket

Art No. 19882

Exactly fitting



Light-weight built



Everything accessible



Delivery contents



Flexible usage



Product features

Specially developed for the small Blackmagic Pocket camera, this cage is extremely lightweight and access to battery compartment, memory card etc. is ensured in any case. Accessories can be mounted to a lot of 1/4"-20 threads on top and on the left side of the cage.

Set contains

- 1x “Aptaris” cage for Blackmagic Pocket
- 1x Handle with mini-rail and L-angle
- 1x Cold shoe adapter
- 6x Screws

Height adjustable



Twistlock for DSLRs



24 mm / 35 mm / 46 mm
spacer rods included



Spacer rods can be
changed easily



3x 3/8" resp. 1/4"-20
threads on bottom



Additional handle available



Art. No. 19683

Product features

The height adjustable 15 mm Universal LWS Base Plate works with nearly all cameras. The lens height is adjusted with special spacer rods (24, 35, 46 mm). Articulating arms can be mounted via 3x 1/4"-20 threads on the front and back each.

Set contains

1x Baseplate	2x 1/4"-20 screws
4x 24 mm spacer rods	1x 3/8" screw
4x 35 mm spacer rods	2x 3/8" to 1/4"-20 adapter
4x 46 mm spacer rods	2x 300 mm rods
1x Twistlock	1x Allen wrench

“Aptaris” Plate

Art No. 20148

For all cameras with
1/4"-20 thread



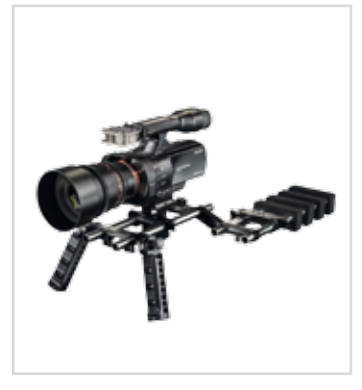
3x 1/4"-20 for additional
accessories



For use with
Manfrotto P 501 and
Aptaris Rod module



Extendible to
a complete rig



Product features

The “Aptaris” Plate is a fast and economic way to use the “Aptaris” Rod Module with every camera. This gives you the possibility to extend to a complete shoulder rig. Perfect for small cameras and camcorders. Articulating arms can be mounted at 3x 1/4"-20 threads on the back for further accessories.

Set contains

- 1x “Aptaris” Plate
- 1x 1/4"-20 Screw

“Aptaris” CSC-Cages

for Sony NEX / A 6000



Art. No. 19736

Universal
for fixed lens compact cameras



Art. No. 19738

for Nikon 1



Art. No. 19737

for OM-D E-M5



Art. No. 19883



Delivery contains



Product features

Those cages are built specially for the most popular mirrorless cameras, e.g. the Sony Alpha 6000, Olympus OM-D E-M5 and others. The Universal cage fits a lot of small mirrorless and digital cameras like the Canon EOS M. Access to battery compartment, memory card etc. is ensured in any case.

Set contains

1x “Aptaris” cage
1x Handle with mini-rail and L-angle
1x Cold shoe adapter
6x Screws

“Aptaris” GoPro Hero

Art No. 19739

Adjust the camera angle



Lots of 1/4"-20 threads



Fast battery change



Upgrade your GoPro Hero



GoPro caseless mount for use with microphone and external monitor



Art. No. 20052

Product features

The “Aptaris” GoPro is built specially for GoPro Hero 2/3/3+. Upgrade your GoPro to a professional video camera by adding light, a microphone or anything else. If you’re not using the waterproof housing you can use the caseless mount to gain access to the memory card and ports. Thanks to the unique design, you can tilt the camera angle and can open the housing without the need to dismount the whole set-up.

Set contains

1x “Aptaris” GoPro

Optional GoPro caseless mount contains:

1x GoPro caseless mount

1x Rubber band

1x Velcro band

Quick-release works with all Aptaris cages



Height adjustable



Further rod lengths:
200 mm, 300 mm, 400 mm



Threads on bottom for tripod plates



Delivery contains



Product features

The rod module is simply mounted to the main unit by means of an innovative quick-action lock solution. For professional results you can attach further accessories, like e.g. Follow Focus or a Matte box to shield off sun light, to the 15 mm Ø rods. The rod module also offers highest flexibility in use: It is adjustable in height and, with a thread on the bottom side, it can be mounted on a tripod or a quick-release plate.

Set contains

- 1x “Aptaris” rod module
- 1x 15 mm rod clamp
- 2x 250 mm rods
- 2x 1/4"-20 screws

“Aptaris” Handle module

Art No. 19900

Additional extensions
available



Art. No. 20196



Art. No. 20460



Different grips available



Art. No. 19872

Delivery contains



15 mm LWS



Product features

The “Aptaris” handle module not only extends your Aptaris Cage, but can also be combined with numerous common rigs. The module is thereby simply mounted to the rods of the rig. Due to their ergonomic design, the handles feel particularly comfortable in your hand. Suitable for rods with a 15 mm diameter (industrial standard).

Set contains

- 1x “Aptaris” 15 mm rod bracket with rosettes
- 1x Left handle
- 1x Right handle
- 2x “Aptaris” handle module screws

Horizontal offset



4x light-weight foam pads



Art. No. 19672

Vertical offset



Art No. 20199



Delivery contains



Parallel



Art No. 20198

Product features

The module is simply mounted to the rods of the rig. Suitable for rods with a 15 mm diameter (industrial standard). The shoulder module can be individually adapted. Soft shoulder pads additionally ensure highest carrying comfort in any situation. The shoulder module is suitable for the left and right shoulder.

Set contains

- 1x “Aptaris” offset-bracket
- 2x 300 mm rods
- 4x Light-weight foam pads

“Aptaris” Accessories



Accessories

- | | |
|---|---|
| 1. Coldshoe mounting plate, Art No. 20202 | 7. Cable protection, Art No. 20049 |
| 2. L-bracket, long, Art No. 20197 | 8. Monitor plate, Art No. 20201 |
| 3. 15 mm Rod clamp, Art No. 20198 | 9. “Aptaris” Universal XXL adapter, Art No. 20051 |
| 4. 15 mm Rod clamp double, Art No. 20199 | 10. Cold shoe, Art No. 19743 |
| 5. L-angle “Aptaris”, Art No. 19740 | 11. Extension arm, Art No. 20196 |
| 6. Universal handle large, Art No. 20200 | 12. Round handle, Art No. 19872 |

“Aptaris” Action-Sets



“Aptaris” Universal XL Action-Set

Set contains

- 1x “Aptaris” Universal XL
- 1x “Aptaris” Rod module
- 1x “Aptaris” Handle module
- 1x “Aptaris” Shoulder module

Art No. 20149



“Aptaris” Blackmagic Cinema Action-Set

Set contains

- 1x “Aptaris” Blackmagic Cinema
- 1x “Aptaris” Handle module
- 1x “Aptaris” Shoulder module

Art No. 20213



“Aptaris” Blackmagic Pocket Action-Set

Set contains

- 1x “Aptaris” Blackmagic Pocket
- 1x “Aptaris” Rod module
- 1x “Aptaris” Handle module
- 1x “Aptaris” Shoulder module

Art No. 19949



“Aptaris” GoPro Action-Set

Set contains

- 1x “Aptaris” GoPro
- 1x “Aptaris” GoPro caseless mount
- 1x “Aptaris” Mini-nato-rail handle

Art No. 20459



C *it's your chance*
to inspire

Article No. 90104



4 250234 501040

WALSER GmbH & Co. KG
Gewerbering 26
86666 Burgheim
Germany

Tel: +49 8432 9489-0
Fax: +49 8432 9489-8333
E-Mail: info@walimexpro.com
www.walimexpro.com

**x x x Made in
Germany**