



TWO YEAR WARRANTY



A Message from the President

Congratulations on purchasing an Anchor Audio system, the choice of thousands of satisfied customers including the White House, prestigious universities, school districts nationwide, police and fire departments, and all branches of the U.S. Military. Our products are made of the finest materials and built with pride in the U.S.

We've incorporated the latest technology into your sound system yet kept it simple to use. Just take a few minutes to review this manual to ensure the maximum enjoyment of your Anchor system. Or, you can view a demonstration video complete with a trouble shooting section at www.anchoraudio.com.

Feel free to call our friendly customer support staff at 1-800-ANCHOR1 with any questions. We love to hear from our customers.

Janet Jacobs, President
on behalf of all Anchor employees

CONTENTS

GETTING STARTED	1
SYSTEM OPERATION / QUICK SETUP / BELTPACK RECEIVER SETUP	2
BELT PACK TRANSMITTER SETUP / BASE STATION TRANSMITTER SETUP	3
IMPORTANT SAFETY INSTRUCTIONS	4
HAVING TROUBLE WITH YOUR SYSTEM?/TECHNICAL SPECIFICATIONS.....	5

GETTING STARTED

Please check your new unit carefully for any damage which may have occurred during shipment. Each Anchor product is carefully inspected at the factory and packed in specially designed boxes for safe transport.

Notify the freight carrier immediately of any damage to the shipping box or product. Repack the unit in the original box and wait for inspection by the carrier's claim agent. Notify your dealer of the pending freight claim.

NOTE: All damage claims must be made with freight carrier!

RETURNING SYSTEMS FOR SERVICE OR REPAIR

For service or repair, please contact the dealer you purchased your system from or visit www.AnchorAudio.com to fill out an RA (Return Authorization) form. If your system is still under warranty, you will receive an RA Number with instructions to follow. All shipments to Anchor Audio must include an RA number and must be shipped prepaid. C.O.D. shipments and shipments without an RA number will be refused and returned at your expense.

IMPORTANT: Save the shipping box & packing materials, they were specially designed to ship your unit!

The Anchor Audio Assistive Listening device comes with a 2 year warranty.



TWO YEAR WARRANTY

ASSISTIVE LISTENING SYSTEM OPERATION

DIVERSITY WIRELESS BY ANCHOR AUDIO

Anchor Audio Assistive Listening Systems are 16 channel UHF diversity wireless systems. Diversity wireless technology utilizes two independent antennae to receive signals. The diversity feature means the receiver will process the stronger of the two antenna signals, effectively minimizing dropouts and interference from other sources.

CHANNEL SELECTION

Before you can use your wireless system, you will need to select a wireless frequency and set the receivers and transmitters you are using to that channel.

1. Choose from any of the available wireless channels: 1 thru 16
2. Set each receiver and transmitter to the channel you have chosen

NOTE: To operate the transmitter & receiver must be set to the same channel.

QUICK SYSTEM SETUP INSTRUCTIONS

TOUR GUIDE SYSTEM/TOUR-60

1. Select a wireless channel
2. Set transmitter channel (page 3)
3. Set receivers to same channel (page 3)
4. Adjust volume on receivers to desired level (page 2)



4-USER BASIC SYSTEM/ALB-40

1. Select a wireless channel
2. Set transmitter channel (page 3)
3. Set receivers to same channel (page 3)
4. Connect input source to transmitter - microphone, stereo system, etc. (page 3)
5. Set output levels on transmitter (page 3)
6. Adjust volume on receivers to desired level (page 2)

4-USER DELUXE SYSTEM/ALD-40

1. Select a wireless channel
2. Set transmitter channel (page 5)
3. Set receivers to same channel (page 3)
4. Setup UHF-6400 wireless microphone (UHF-6400 User Manual)
5. Connect input source to transmitter - microphone, stereo system, etc. (page 3)
6. Set output levels on transmitter (page 3)
7. Adjust volume on receivers to desired level (page 2)



BELT PACK RECEIVER SETUP

Model: AL-WB

Belt pack receiver for use with Anchor Audio 16 channel base station transmitter, handheld microphone or belt pack transmitter. The receiver operates in the UHF band frequency and is powered by two DC 1.5V "AA" size batteries.

BELT PACK SETUP

1. **INSERT BATTERIES:** Open battery compartment by sliding latch down and insert two "AA" batteries.
2. **SET CHANNEL:** Using the included screwdriver turn the Channel Selection Dial to the same channel as the transmitter, close compartment door.

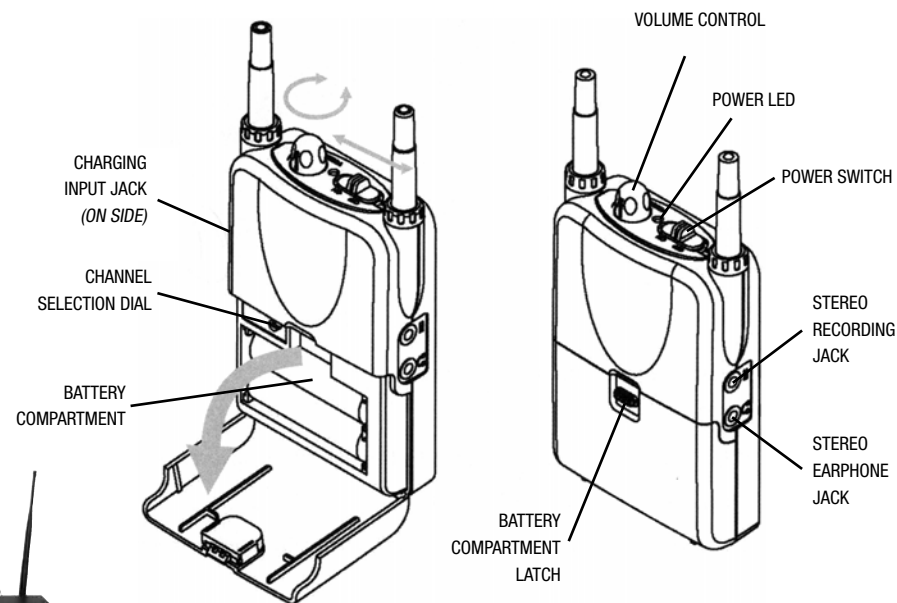
NOTE: Transmitter & receiver MUST be set to the same channel to operate.

3. **CONNECT HEADPHONES:** Insert the stereo headphone plug into the Stereo Earphone Jack.

NOTE: For stereo audio output equipment, insert plug into the Stereo Recording Jack.

4. **POWER ON:** Slide the Power Switch to the "ON" position to power up the receiver.
5. **VOLUME LEVEL:** Adjust the volume to a comfortable listening level by turning the Volume Control knob.

BODY PACK RECEIVER Model: AL-WB



BELT PACK TRANSMITTER SETUP

Model: WB-6000

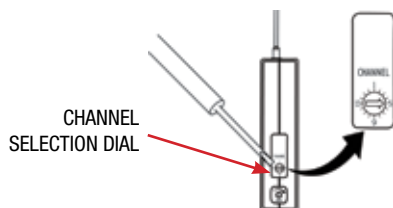
Belt pack transmitter for use with Anchor Audio 16 channel belt pack receivers. The transmitter operates in the UHF band frequency and is powered by two DC 1.5V "AA" size batteries.

BELT PACK SETUP

1. **INSERT BATTERIES:** Open battery compartment by gently push/sliding door. Insert two "AA" batteries.



2. **SET CHANNEL:** Using the included screwdriver turn the Channel Selection Dial to the same channel as the receiver.



NOTE: The transmitter and receiver **MUST** be set to the same channel to operate correctly.

3. **CONNECT MICROPHONE:** Insert the headband microphone plug into the jack labeled INPUT located on top of the transmitter.
4. **POWER ON:** Slide transmitter power switch to "ON". The red LED will flash when the mic is turned on, if the LED stays on, the batteries are low and need to be replaced.

NOTE: If you experience ongoing interference with your wireless system, the selected frequency may be incompatible w/ other systems in the area!

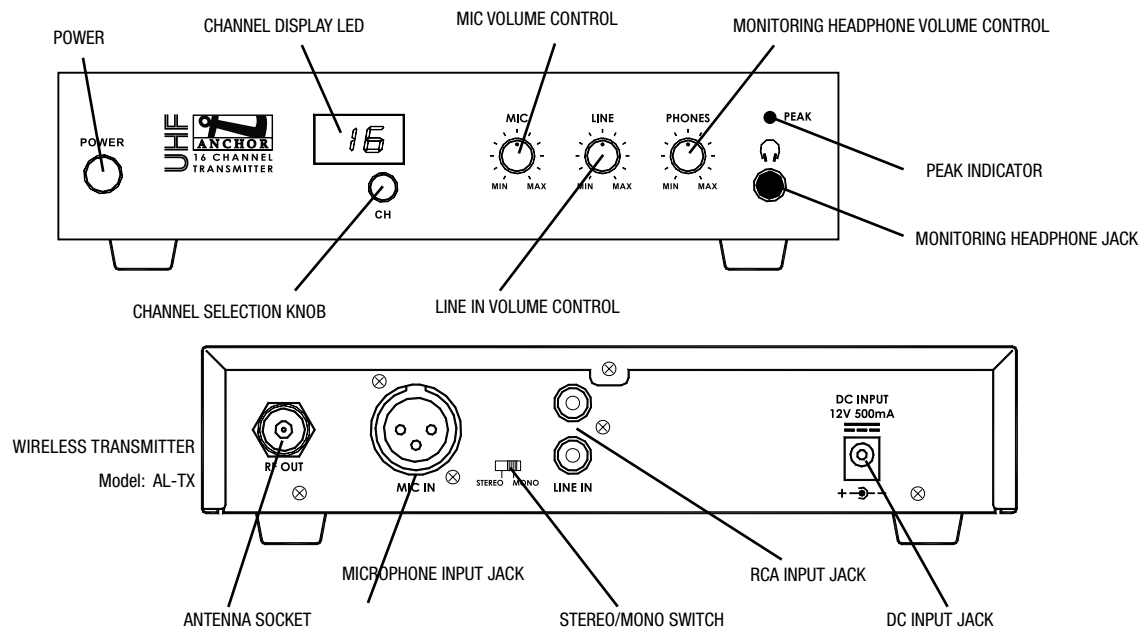
Try different channels to find a clear frequency!

BASE STATION TRANSMITTER SETUP

The Base station transmitter is for use with Anchor Audio 16 channel belt pack receivers. The transmitter operates in the UHF band frequency on 16 channels and is powered by an included AC power adapter.

BASE STATION SETUP

1. **CONNECT ANTENNA:** Attach the UHF antenna to the Antenna Socket labeled RF OUT on the rear panel.
 2. **CONNECT POWER:** Plug the AC adapter into the DC Input Jack on the rear panel. Then plug the AC adapter into a power outlet.
 3. **SETUP INPUT SOURCE:** Connect a wired microphone to the Microphone Input Jack on the rear panel. Adjust the MIC Volume Control knob on the front panel to set level. Use the RCA Input Jack on the rear panel to connect a stereo audio device. Adjust the Line In Volume Control knob on the front panel to set level.
 4. **SET CHANNEL:** Press the Power button on the front panel to turn on the transmitter. Turn the Channel Selection Knob to the channel you chose.
- NOTE:** Transmitter & receiver **MUST** be set to the same channel.
5. **MONITOR TRANSMISSION:** For monitoring purposes, plug headphones into the Monitoring Headphone Jack on the front panel. Adjust the headphone volume with the Monitoring Headphone Volume Control knob.



NOTE: If you experience ongoing interference with your wireless system, the selected frequency may be incompatible with other systems in the area! Try different channels to find a clear frequency!



TWO YEAR WARRANTY

Important Safety Instructions

- 1) Read Instructions – All the safety and operation instructions should be read before the product is operated.
- 2) Retain Instructions – The safety and operating instructions should be retained for future reference.
- 3) Heed Warnings- All warnings on the product and in the operating instructions should be adhered to.
- 4) Follow Instructions – All operating and use instructions should be followed.
- 5) Cleaning – Unplug this product from the wall outlet before cleaning. Do not use liquid cleaners or aerosol cleaners. Use a damp cloth for cleaning.
Exception: A product that is meant for uninterrupted service and that for some specific reason, such as the possibility of the loss of an authorization code for the CATV converter, is not intended to be unplugged by the user for cleaning or any other purpose, may exclude the reference to unplugging the product in the cleaning description otherwise in above 5).
- 6) Attachments – Do not use attachments not recommended by the product manufacturer as they may cause hazards.
- 7) Water and Moisture – Do not use this product near water – for example, near a bath tub, wash bowl, kitchen sink, or laundry tub; in a wet basement; or near a swimming pool; and the like.
- 8) Accessories – Do not place this product on an unstable cart, stand, tripod, bracket, or table. The product may fall, causing serious injury to a child or adult, and serious damage to the product. Use only with a cart, stand, tripod, bracket, or table recommended by the manufacturer, or sold with the product. Any mounting of the product should follow the manufacturer's instructions, and should use a mounting accessory recommended by the manufacturer.
- 9) A product and cart combination should be moved with care. Quick stop, excessive force, and uneven surfaces may cause the product and cart combination to overturn.
- 10) Ventilation – Slots and openings in the cabinet are provided for ventilation and to ensure reliable operation of the product and to protect it from overheating, and these openings must not be blocked or covered. The openings should never be blocked by placing the product on a bed, sofa, rug, or other similar surface. This product should not be placed in a build-in installation such as a bookcase or rack unless proper ventilation is provided or the manufacturer's instructions have been adhered to.
- 11) Power Sources – This product should be operated only from the type of power source indicated on the marking label. If you are not sure of the type of power supply to your home, consult your product dealer or local power company. For products intended to operate from battery power, or other sources, refer to the operating instructions.
- 12) Grounding or Polarization – This product may be equipped with a polarized alternating-current line plug (a plug having one blade wider than the other). This plug will fit into the power outlet only one way. This is a safety feature. If you are unable to insert the plug fully into the outlet, try reversing the plug. If the plug should still fail to fit, contact your electrician to replace your obsolete outlet. Do not defeat the safety purpose of the polarized plug.
- 13) Power-Cord Protection – Power-supply cords should be routed so that they are not likely to be walked on or pinched by items placed upon or against them, paying particular attention to cords at plugs, convenience receptacles, and the point where they exit from the product.
- 14) Protective Attachment Plug – The product is equipped with an attachment plug having overload protection. This is a safety feature. See Instruction Manual for replacement or resetting of protective device. If replacement of the plug is required, be sure the service technician has used a replacement plug specified by the manufacturer that has the same overload protection as the original plug.
- 15) Outdoor Antenna Grounding – If an outside antenna or cable system is connected to the product, be sure the antenna or cable system is grounded so as to provide some protection against voltage surges and built-up static charges. Article 810 of the National Electrical Code, ANSI/NFPA 70, provides information with regard to proper grounding of the mast and supporting structure grounding of the lead in wire to an antenna discharge unit, size of grounding conductors, location of antenna-discharge unit, connection of grounding electrodes, and requirements for the grounding electrode. See Figure A.
- 16) Lightning – For added protection this product during lightning storm, or when it is left unattended and unused for long periods of time, unplug it from the wall outlet and disconnect the antenna or cable system. This will prevent damage to the product due to lightning and power-line surges.
- 17) Power Lines – An outside antenna system should not be located in the vicinity of overhead power lines or other electric light or power circuits, or where it can fall into such power lines or circuits. When installing an outside antenna system, extreme care should be taken to keep from touching such power lines or circuits as contact with them might be fatal.
- 18) Overloading – Do not overload wall outlets, extension cords, or integral convenience receptacles as this can result in a risk of fire or electric shock.
- 19) Object and Liquid Entry – Never push objects of any kind into this product through openings as they may touch dangerous voltage points or short-out parts that could result in a fire or electric shock. Never spill liquid of any kind on the product.
- 20) Servicing – Do not attempt to service this product yourself as opening or removing covers may expose you to dangerous voltage or other hazards. Refer all servicing to qualified service personnel.
- 21) Damage Requiring Service – Unplug this product from the wall outlet and refer servicing to qualified service personnel under the following conditions:
 - a. When the power-supply cord or plug is damaged.
 - b. If liquid has been spilled, or objects have fallen into the product.
 - c. If the product has been exposed to rain or water.
 - d. If the product does not operate normally by following the operating instructions. Adjust only those controls that are covered by the operating instructions as an improper adjustment of other controls may result in damage and will often require extensive work by a qualified technician to restore the product to its normal operation.
 - e. If the product has been dropped or damaged in any way.
 - f. When the product exhibits a distinct change in performance – this indicates a need for service.
- 22) Replacement Parts – When replacement parts are required, be sure the service technician has used replacement parts specified by the manufacturer or have the same characteristics as the original part. Unauthorized substitutions may result in fire, electric shock, or other hazards.
- 23) Safety Check – Upon completion of any service or repairs to this product, ask the service technician to perform safety checks to determine that the product is in proper operation condition.
- 24) Wall or Ceiling Mounting – The product should be mounted to a wall or ceiling only as recommended by the manufacturer.
- 25) Heat – The product should be situated away from heat sources such as radiators, heat registers, stoves, or other products (including amplifiers) that produce heat.



TWO YEAR WARRANTY

HAVING TROUBLE WITH YOUR SOUND SYSTEM?

CONDITION	POSSIBLE CAUSE
No Sound	<ul style="list-style-type: none"> • power supply turned off on the transmitter and/or receiver • transmitter and receiver are set to different frequencies • transmitter output is not connected to mixer or amplifier input • receiver is too far from transmitter • metal object near transmitter or obstructions between transmitter & receiver
Sound Interference	<ul style="list-style-type: none"> • adjust the antenna location • when using 2 or more transmitters use different frequency setting for each • interference from other wireless microphone, TV, radio, etc.
Distortion	<ul style="list-style-type: none"> • transmitter volume level too high or too low • interference from other wireless microphone, TV, radio, etc.

ASSISTIVE LISTENING TECHNICAL SPECIFICATIONS

AL-TX – Base Station Transmitter

System Range	Up to 200' line of sight
Frequency Range	UHF 682– 698MHz or 863 – 865MHz
RF Power Output	682 – 998MHz @ 100 mW 863 – 865MHz @ 10 mW
Frequency Stability	± 0.005%
Maximum Deviation	± 48 KHz with limiting compressor
Spurious Emission	> 60 dB below carrier frequency
T.H.D.	< 1% @ 1KHz
Power Supply	DC 12 ~ 18 V
Tone Key	32.768 KHz
Current Consumption	85 mA ± 10 mA (10 mW)
Dimensions (WHD)	8.3" x 1.7" x 7.1" (211 x 44 x 180) mm

WB-6000 – BELT PACK TRANSMITTER

RF Power Output	10mW
Oscillator	PLL synthesized
Maximum Deviation	+/- 48 KHz
Spurious Emission	> 60 dB below carrier frequency
Tone Key	32.768 KHz
Power Supply	DC 3V (2 x 1.5 V AA Batteries)
Current Consumption	65 mA +/- 5 mA
Dimensions (WHD)	3.86" x 2.60" x 1.02" (98 x 66 x 26mm)

AL-WB – Belt Pack Receiver

System Range	Up to 200' line of sight
Frequency Range	UHF 682– 698MHz or 863 – 865MHz
Oscillator	PLL synthesized
Receiving Mode	Single channel diversity
Frequency Stability	± 0.005%
Receiving Sensitivity	@ 5dBuV over 80 dB S/N ratio
Image & Spurious Rej.	80 dB min
Selectivity	> 50 dB
Modulation Mode	FM
IF Frequency	1st 56 MHz / 2nd 10.7 MHz
Dynamic Range	> 96 dB
S/N Ratio	> 94 dB @ 15KHz deviation & 60 dBuV antenna input

AF Response:

Headphone	100 Hz – 10 KHz (± 3 dB)
Line	40 Hz – 15 KHz (± 3 dB)
T.H.D.	< 1% @ 1KHz
Power Supply	DC 3V (2 x 1.5 V AA batteries)
Audio Output:	
Headphone Stereo	20 mW
Line Stereo	Level -10 dB
Current Consumption	130 mA ± 10 mA
Dimensions (WHD)	3" x 4.2" x 1.1" (76 x 106 x 29 mm)



(Specifications Subject to Change Without Notice)

ANCHOR AUDIO CUSTOMER SERVICE
800.262.4671

FOR ADDITIONAL INFORMATION
visit www.anchoraudio.com