



L5-Series

User Manual

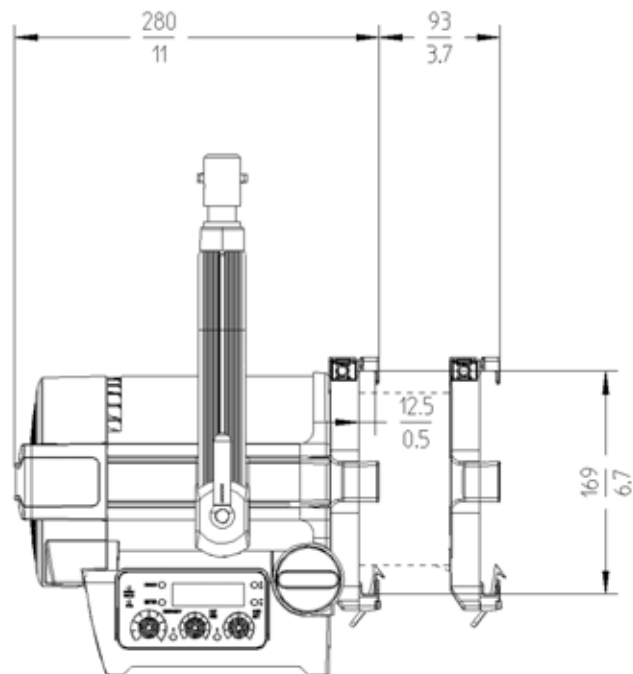
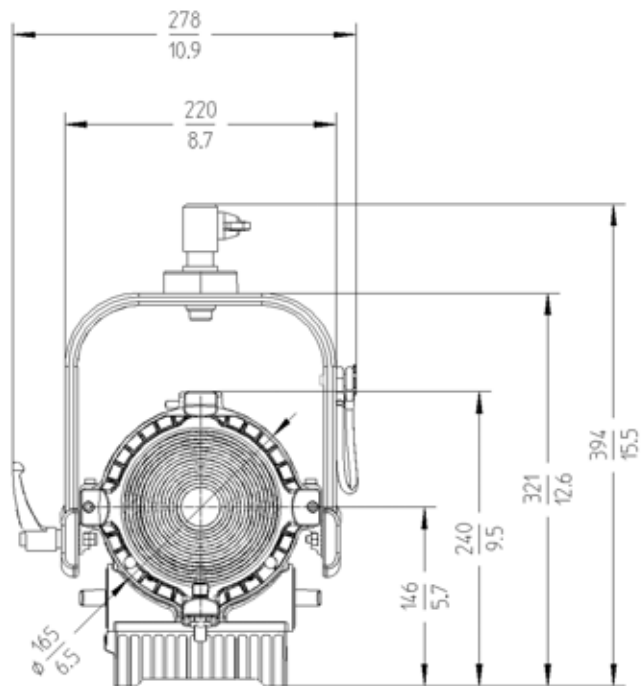
As of June 2014

© 2014 Arnold & Richter Cine Technik GmbH & Co. Betriebs KG. All rights reserved.

No part of this document may be used for distribution, reproduction, transmission, transcription, storage in a data retrieval system, or translated into any language in any form by any means without the prior written permission of ARRI®. If you are downloading files from our web pages for your personal use, make sure to check for updated versions. ARRI® cannot take any liability whatsoever for downloaded files, as technical data are subject to change without notice.

L5.0002357, Rev. A

Dimensions



Content

Dimensions	3
Safety Information	6
Explanations of Warning Signs and Indications	6
General Notes	6
General Safety Information	7
Specific Safety Information	8
Maintenance Information	9
Legal disclaimer	9
Introduction	10
Features	10
Properties	11
Unpacking	11
Overview	12
Physical Installation	14
To adjust the stirrup	14
To mount the spigot	14
Basic features	16
Control options	17
Connector Panel	17
Power	17
AC power	17
To use a battery pack	18
Fixture menu	19
Overview of the fixture menu	19
Features of the fixture menu	19
To read out fixture information	23

Short cuts	.24
DMX control	.25
DMX mode	.25
DMX data link	.26
Tips for reliable data transmission	.26
To connect the data link	.26
Fixture Menu	.27
Status Messages	.28
Fixture Menu	.29
RDM commands	.30
Required RDM command extensions	.31
Manufacturer commands	.33
LSeries Manager	.33
Error messages	.34
DMX protocol	.36
ARRI L5-TT (Tungsten Tuneable)	.36
ARRI L5-DT (Daylight Tuneable)	.38
ARRI L5-C	.40
Specifications	.48
Photometric data	.51
ARRI L5-C	.51
ARRI L5-TT	.51
ARRI L5-DT	.52

Safety Information



Always follow these instructions to protect against injury to yourself and damage to the product or other objects.

Explanations of Warning Signs and Indications



Possible risk of injury or damage to equipment.



Risk of fire or electric shock. Possible risk of injury or damage to equipment.



Caution! Hot surface. Possible high surface temperature. Risk of injury through burns.



Caution! High intensity light emission. Risk of eye injury.

Note: Indicates further information.

General Notes

- This document contains important instructions and notes to handle the product safe.
- Always follow all safety information for your own protection.
- Please follow the user manual of accessories and third party accessories for the L5-series such as battery packs and battery chargers. They contain important safety and security information.
- Retain this user manual for further reference and possible new owners of this product.
- ARRI® L-series products are intended for professional use and may only be operated by qualified persons. They are not for household use.
- Help protecting the environment by disposing the package material at your local recycling center.
- All components comply to the guidelines listed below:
 - Low voltage directive 2006/95/EG
 - EMC directive 2004/108/EG
 - RoHS directive 2002/95/EG

General Safety Information



Read and understand all safety information and operation instructions before you operate or install the product.



Use only genuine spare parts or accessories that have been recommended or approved by ARRI. Other accessories or spare parts may cause hazards, damage the product or invalidate the warranty.



Check all cables and devices for visible damage before you work with the system. Defective electric or electronic devices must not be used. Take special care of the following components:

Component	Possible damage
Housing, lens	Cracks, cuts, deformation
Cables	Cuts, deformation, burns
Connectors	Cracks, deformation, burns
Cable connectors	Damaged
Inner threads	Overwound



In the event of visible damage to the product or accessory, the product or accessory must no longer be used. Replace or repair the respective part. In case of repairs, please contact an authorized ARRI service center.



Never attempt to repair any part of the product on your own. Maintenance and repair work is only to be carried out by authorized ARRI service centers.



Do not operate the product if the ambient temperature exceeds 45° C (113° F). Do not expose the product to rain or moisture. Observe all information given in chapter "Specifications" on page 48.



Do not bypass any safety feature of the product.



Do not open the product. There are no user serviceable parts inside. The housing is sealed with an adhesive seal that will break immediately when trying to open the housing. Doing so will invalidate the warranty.



In addition to regular visible checks ARRI recommends that all electric components are checked for electrical safety by a professional every 12 month. Keep the protocol of the check.

Specific Safety Information



Intensive use can cause the surface and the heat sink to become hot. Let the product cool down complete before you handle it.



Never cover air vents and the heat sink during operation. Keep a minimum clearance around the product of 0.5 m (1.65 ft).



WARNING: Intense light. The product is equipped with high intensity LEDs which emit at high luminance levels. Never look direct into the light source.



Never point a light beam from another luminaire into the light source. Do not place the product on heat sources. Intense heat cause automatic power off during operation.



Devices and accessories must be secured against fall when mounted above floor level. Always observe common and local safety regulations.



Never use the cables for transportation. Never hang the product on its cables. Do not hang a battery pack on its connection cable to the product.



CAUTION: High voltage! Always disconnect the product complete from mains voltage before you connect or disconnect a cable or replace the fuse of the product.



Always check that the local AC power matches the voltage and frequency range printed on the type label of the product before use. Never use the product when the AC power does not match.



Always check that the supply voltage of the battery pack matches the voltage range printed on the type label of the product before use.



Never connect the product to a dimmer-system or a dimmer-channel in non-dim mode. To do so will damage the electronics. Damages caused by connecting the product to a not suitable power source are not covered by the warranty.



Never bypass any fuse.



Always keep cables away from the product during operation. Do not tilt the power cable directly after the connector. Water could immerse and cause short circuits and damage the connector.

Disconnect all cables prior to transport.

Not to observe these safety information or to ignore common sense may cause serious injury or even death. Damage to the product or other devices is possible.

Please observe the information given in the „Safety leaflet ARRI lampheads“ (L5.40731.E). The leaflet is available for download on our web site www.arri.com.

Maintenance Information

- Do not clean the surface of the product with solvents or strong detergents.
- Clean the product with a soft cloth wetted with a mild detergent. Do not rub the surface: lift stuck particles off with a soft repeated press.
- Clean soiled electric contacts with cotton swabs wetted with isopropyl alcohol.
- Keep electric contacts clean and replace corroded parts.

Legal disclaimer

© 2014 Arnold & Richter Cine Technik & Co. KG Betriebs KG (ARRI). All rights reserved. Information subject to change without notice. ARRI and all affiliated companies disclaim liability for any injury, damage, direct or indirect loss, consequential or economic loss or any other loss occasioned by the use of, inability to use or reliance on the information contained in this document. The ARRI logo, the ARRI name and all other trademarks in this document pertaining to services or products by ARRI or its affiliates and subsidiaries are trademarks or licensed by ARRI or its affiliates or subsidiaries.

ARRI and the ARRI logo are registered trademarks of the Arnold & Richter Cine Technik GmbH & Co. Betriebs KG.

Introduction

Thank you for selecting a LED luminaire of the L5-series from ARRI. The products of the L5-series are fresnel-luminaires equipped with a high precision, micro-processor controlled LED light source. The L5-series is a perfect and easy replacement for conventional fresnel-luminaires with tungsten lamps.

The L5-series combines the advantages of the LED technology with the ease of use of a traditional fresnel-luminaire. The L5-series integrates seamlessly into established working practice. LED luminaires are much more efficient than light sources with conventional tungsten lamps. The optical system offers real fresnel characteristics with an extreme smooth beam and clean shadows. The half peak angle can be adjusted continuously from 15° - 50°.

The products of the L5-series emit white or colored light with adjustable color temperature and adjustable green / magenta saturation. Please find more detailed information in chapter "Specifications" on page 48. The light spectrum is optimized for excellent color rendition and fulfills perfectly the demands of modern, digital cameras. All models of the L5-series can be controlled using the common DMX512-A protocol or the fixture menu.

The products of the L5-series can be powered by AC power, low voltage DC power sources and battery packs. Please find more detailed information about the use of battery packs in the section "Power" on page 17.

Features

Focus

Traditional fresnel-luminaires are able to spot and flood the beam as needed. Whether it is a flood field for a pullback or a tight spot for a bright highlight, the continuous focusability of the ARRI L5 performs just as expected.

Versatile beam characteristics

The ARRI L5 provides the same ability as conventional fresnel-luminaires to cut set elements and shape the beam with barn-doors and flags.

Even light field

Clean, defined shadows have traditionally been a trait only of single source tungsten and daylight fixtures. ARRI L5 fresnel-luminaires provide the same single shadow properties lighting designers expect, delivering natural results.

Vibrant colors, full spectrum lighting

True-to-life color rendition is an outstanding feature of the L5-series, comparable to a full spectrum tungsten source. The fully tuneable white light of the ARRI L5-C can be adjusted for different skin tones, camera sensors and mixed light environments. Full gamut color mixing enables the rendition of all color shades, making color filters dispensable.

Cool light beam

Like all LED light sources the ARRI L5 does not emit infrared or UV radiation and thus does not forward heat, making actors feel comfortable in the light beam.

Properties

Focus knob

The TRUE BLUE style focus knobs provides precise adjustment and rapid flood-to-spot with only three turns. Knobs on both sides of the fixture ensure easy access from all positions.

Sliding stirrup

The sliding stirrup design enables precise compensation for front end accessories.

Yoke

With an extreme slim profile, the extruded aluminum yoke provides high strength without added weight. An optional, pole operated yoke allows full operation of pan and tilt from the floor and is therefore a popular choice for many studios.

Tilt-lock

The high strength tilt-lock provides extreme secure locking. It eliminates movement and slippage and ensures that the fixtures will stay where you put them.

DMX-control

All functions of the ARRI L5 are controllable through DMX. The ARRI L5 is also fully RDM compatible and is equipped with a feedback channel for reporting all set parameters including system status.

Fixture menu

For location applications the ARRI L5 is equipped with a fixture menu for manual adjustment of intensity, color temperature and plus/minus green as well as hue and saturation (functions available depending on type).

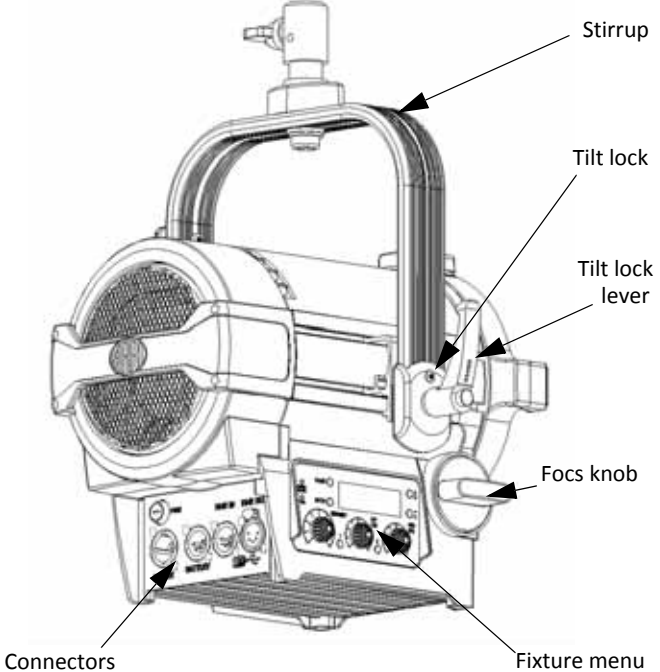
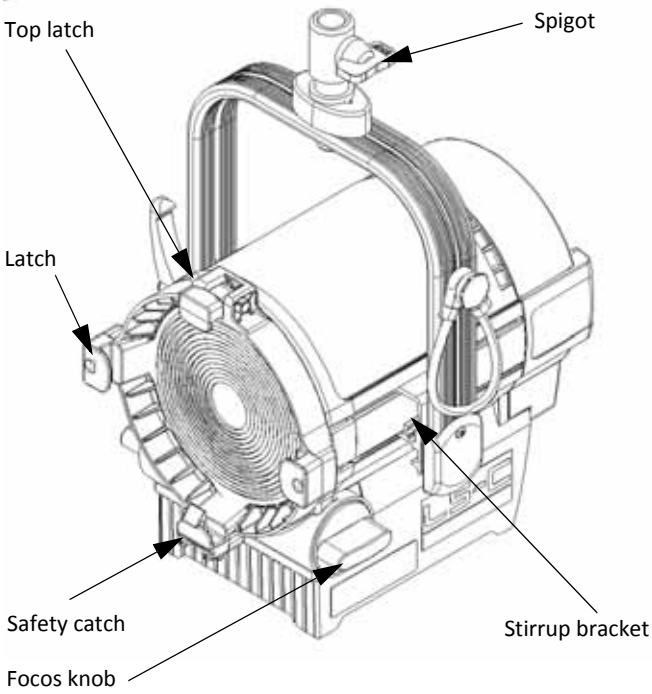
Unpacking

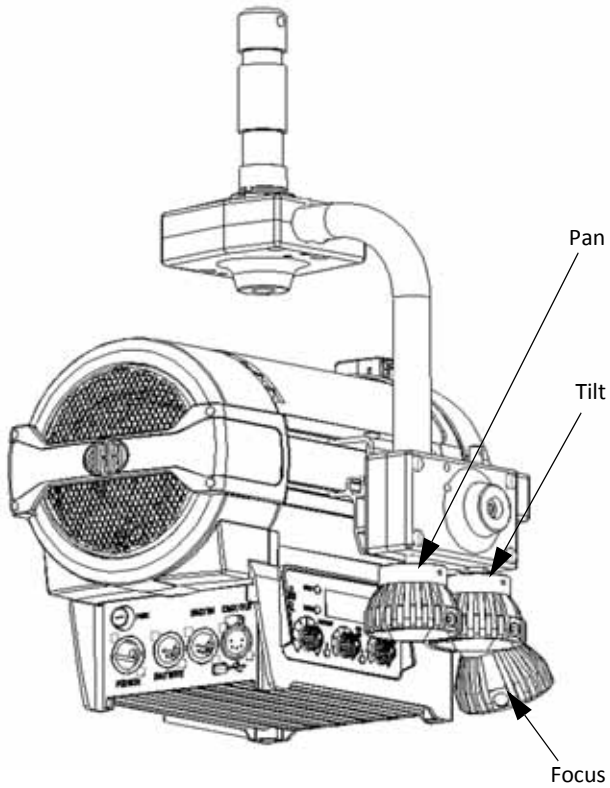
The ARRI L5 is supplied with:

- Power cable with power plug or bare ends
- Stirrup
- Short 28 mm spigot with 16 mm hole (mounted on p.o. stirrups)
- Short instructions

Please refer to chapter “Accessories” on page 49 for more information about optional accessories.

Overview





Physical Installation



WARNING! Attach an approved safety-cable to secure the product against clamp or bracket failure. Lead the safety-cable through the stirrup and keep it as short as possible. The safety-cable needs to be approved at least 10 times the weight of the product including all accessories mounted at the product. Secure all accessories mounted at the product with additional safety-cables to protect them from fall down and cause injuries and damages.



WARNING! The rigging structure needs to be approved for at least 10 times the weight of all devices, equipment and cables installed on it.



IMPORTANT! Do not illuminate the display and the fresnel-lens by high power light beams from a short distance. The display and the light engine are damaged by high brightness and heat radiation within very short time.

To adjust the stirrup

You need

- a Torx20 screw driver,
- a 10 mm allen key and
- a torque wrench (37 ft-lbs)

to adjust the stirrup.

On delivery the stirrup is in the basic position (tilted back). Loosen the Torx20 screws on both sides of the stirrup bracket slightly and pull the stirrup bracket towards the rear of the product. Loosen the lever of the tilt-lock and tilt the stirrup upwards.

Slide the stirrup to the point of balance. The point of balance is dependent on the accessories mounted at the product. Tighten both Torx20 screws of the stirrup brackets. Do not overtighten the screws. Tilt the stirrup to the desired position and tighten the tilt-lock by using the lever. For better leverage, press the knob on the tilt-lock-lever and turn the lever to the desired position.

To mount the spigot

Place the spigot and the distance plate on the 13 mm hole in the middle of the stirrup. Insert the allen screw with washer and spring washer and tighten it with a torque wrench to 37 ft-lbs torque.

To mount the device

Always observe all safety information listed in chapter “Physical Installation” on page 14 when you mount the product and accessories:

Be aware of the maximum tilt angle 90° upwards and 90° downwards.

Ensure that you install all accessories correct when you mount the product above floor level:

- Top latched locked, safety catch snapped in.
- Set up tripods in a stable position. Tripods need to be approved for the load they need to carry.
- Always observe the additional load of cables and accessories!



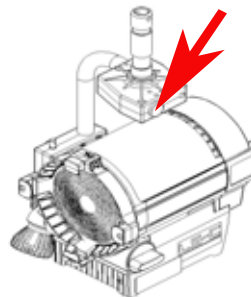
ATTENTION! Lateral load can cause deformation or breaking of the spigot and the stirrup!

Please observe the information given in the „Safety leaflet ARRI lampheads“ (L5.40731.E), which is available for download on our web site www.arri.com.

To mount the safety cable at the p.o. stirrup

Lead the safety-cable through the eye bolt at the p.o. stirrup as shown in the illustration below.

Keep the safety-cable as short as possible. Do not limit the range of movement of the product.



Basic features

Pan and tilt

Loose the mounting screw of the tripod or the appropriate fixing screw of the mounting clamp to pan the product. Tighten the screw to avoid unintended movement. Loose the tilt-lock to tilt the product to the desired angle. Tighten the tilt-lock-lever to avoid unintended movement.

To adjust the beam angle

Turn one of the focus knobs beneath the lens tube to adjust the beam angle continuously. The entire lens tube moves in and out. Two mechanisms protect the product from being damaged:

- A predetermined braking point prevents the product from damage, when the focus knob is turned with too high torque at either end of the focus range.
- The self-impeding focus gear prevents the lens tube to move itself in or out when the product is operated in a tilted position.

Use of accessories for beam shaping and light design

You can mount accessories such as a barndoor, filter holder or scrim on the front side of the product:

- Firmly press the button at the side of the top latch to open the top latch.
- Insert the accessory from the upside into the brackets until the safety catch engages. Slightly tilt the safety catch with your finger for support.

- Close the top latch. Make sure that the hook of the top latch engages into the holding ring of the accessory.

DMX/RDM-interface

The product has a DMX/RDM-interface. It has 5-pin XLR connectors for DMX/RDM data input and output. Please find more detailed information to establish a DMX/RDM data-link in chapter "DMX data link" on page 26.

USB-interface

The product has a mini-USB connector to upload firmware and set parameters. The USB-interface can be used for service purpose like download error reports and set certain data. To do so you need a software tool, the „L-Series manager“. Download it free of charge from the ARRI web site www.arri.com.

Please find more detailed information to work with the L-Series manager in the user manual of the software. The manual is included in the download package.

Turn on and use the product

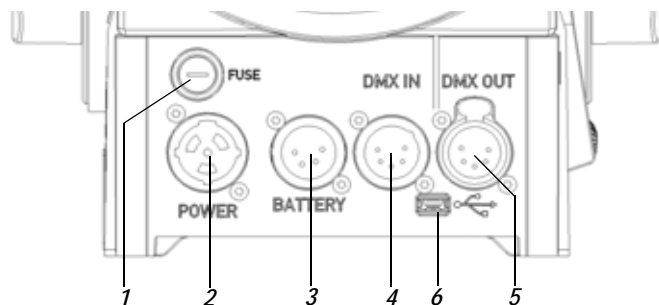
Turn on the power switch or connect the product to AC power. The product initializes for some seconds and is ready for operation. The product will operate with the settings made on the fixture menu or received by DMX. Please observe the following section to use the product.

Control options

You can set up or control the product with the options listed in the table below:

Option	Control	Configuration	Information
Fixture menu	yes	yes	page 19
DMX	yes	no	page 25
RDM	yes	yes	page 30
LS Manager	no	yes	page 33

Connector Panel



- 1 Fuse holder
- 2 AC power in
- 3 Connector for battery pack

- 4 DMX input
- 5 DMX output
- 6 USB connector

Power



WARNING! For protection from electric shock, always connect the product electrically to ground (earth) when connected to AC power. The AC mains power supply must be fitted with a fuse or circuit breaker and ground-fault (earth-fault) protection.



IMPORTANT! Ensure that persons do not look at the light emission aperture when the product is connected to AC power or a battery pack. The product can light up suddenly. The high intensity of the ARRI L5 can cause eye irritation or injury when not respecting the safety distance.



IMPORTANT! Always connect the ARRI L5 direct to AC power. Do not connect it to a dimmer-system. Doing so will damage the product.

AC power

The products of the L5 series have an auto-sensing switch-mode power supply that automatically adapts to AC power at 90 - 264 V ~, 45 - 65 Hz (nom.).

Before you connect the product to AC power or a battery pack, check that:

- the dimmer knob at the fixture menu is set to 0%, and
- no DMX signal is present at the DMX-input of the ARRI L5.

You can hard-wire the ARRI L5 to a building electrical installation. You can install a power plug that is suitable for the local power outlets on the power cable. Socket outlets or external power switches that supply the product with power must be located near the product and easily accessible so that the product can easily be disconnected from power.

The ARRI L5 requires a power input cable with a Neutrik® PowerCON® True1 NAC3FX-W cable connector. Cable requirements are listed in chapter “Specifications” on page 48.

ARRI offers power cables with PowerCON® cable connectors and different plugs or bare ends (see “Accessories” on page 49).

To insert and remove the PowerCON® cable connector

- Line up the raised key of the connector and the keyway of the input socket. Insert the cable connector without force in the power input socket.

To lock the cable connector:

- Turn it a full quarter-turn clockwise.

To unlock the cable connector:

- Push the connector lock backwards and turn the cable connector counter-clockwise. Pull the cable connector out of the power input socket.

To use a battery pack

The ARRI L5 can be powered independently from AC power with a battery pack.

The battery pack must meet the following requirements:

Output voltage	23 - 36 V=
Battery operating temperature	68° F - 95° F
Minimum capacity	5,5 Ah
Power outlet connector	4-pin XLR connector

The product has a 4-pin XLR male connector for battery power and DMX data input. The pin-out is:

Pin	Assignment
1	0 V
2	Data -
3	Data +
4	+ 23 V - 36 V=



IMPORTANT! Check that the pin-out of the battery pack matches the pin-out of the product. Wrong assigned pin-outs damage the ARRI L5 and / or the battery pack.

Always follow the safety information for the battery pack. Use only battery packs that meet all requirements listed above. The use of battery packs that do not fulfill the requirements damage the product and / or the battery pack.

Note: The ARRI L5 switches off when the battery voltage drops below 22 V=. The product will be damaged, when the battery voltage exceeds 45 V=.

To insert and remove the 4-pin XLR cable connector

To insert the 4-pin XLR cable connector:

- The main switch of the battery pack must be turned off, if possible.
- Align the raised key of the cable connector with the keyway of the input socket. Insert the cable connector without force in the input socket.
- The cable connector must lock. Repair or replace cable connectors that do not lock.

To remove the 4-pin XLR cable connector:

- Switch of the battery pack, if possible.
- Press down the locking pin of the cable connector and remove the cable connector.

Tips for the use of battery packs

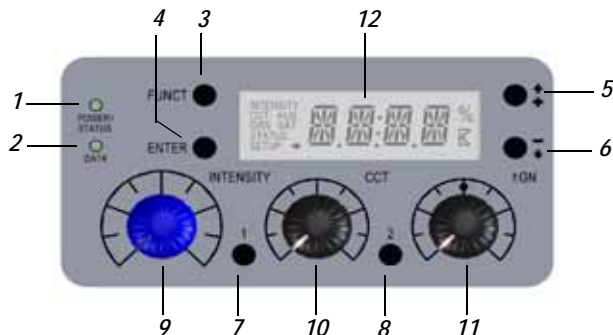
The ARRI L5 draws 115 W power at full intensity. Use the following rule of thumb to calculate the likely operating time with a fully charged battery pack at constantly 100% brightness:

$$\text{Operating time [min]} = \frac{\text{capacity [Ah]} * \text{nom. voltage [V]} * 54}{115 \text{ W}}$$

It is not possible to calculate the operating time exactly when brightness changes often. The possible operating time is dependent from age, state of charge and type of the battery pack.

Fixture menu

Overview of the fixture menu



Features of the fixture menu

Status indicator POWER/STATUS (1):

Color	Indication
Green	Fixture switched on. No error.
Red flashing (0,5s rhythm)*	Warning fixture over temperature
Red*	Fixture over temperature
Change from red to green*	Fixture normal temperature
Red flashing (0,25s rhythm)*	Calibration data not loaded
*Display lights up red when STATUS-LED is lit red	

DATA (2)

The DATA indicator lights blue, when a valid DMX signal is detected on the DMX-input.

FUNCT (3)

The FUNCT button has two functions:

- Normal operation: Switches between CCT and HSI mode (only ARRI L5-C).
- Fixture menu open: Jump UP one menu level.

ENTER (4)

The ENTER button has three functions:

- Normal operation: Activate blinking arrow for calling up MEM1 or MEM2.
- Fixture menu open: OPEN next menu level, or
- Confirm a setting.

+ / [up] (5)

The + / [up] button navigates the menu or increases a value. Press the button long to activate the fast-run feature.

- / [down](6)

The - / [down] button navigates the menu or decreases a value. Press the button long to activate the fast-run feature.

INTENSITY (9)

The rotary knob sets the intensity level.

CCT / HUE (10)

The rotary knob sets the color temperature (CCT) or the hue (only ARRI L5-C in color mode).

GN / SAT (11)

The rotary knob sets the green/magenta saturation or the color saturation (SAT, only ARRI L5-C in color mode).

MEMORY 1 and MEMORY 2 (7 and 8)

Activate or store a memory.

During operation the mode and recent values are displayed. On the first menu level the values for INTENSITY, CCT/HUE (only ARRI L5-C) and GN/SAT (only ARRI L5-C) can be retrieved via the + / [up]/- / [down] buttons. The menu STATUS, confirmed with ENTER, calls up the next level which displays information on faultless operation and the temperature of the light engine. To retrieve values for operating hours, DMX-version and firmware-version, press ENTER to call up the third level. The FUNCT button jumps up one menu level.

A detailed overview of the fixture menu is listed in chapter "Fixture Menu" on page 27.

To set the operation mode (only ARRI L5-C)

Press the FUNCT button to switch from CCT mode to HSI mode and vice versa.

IN CCT mode the product generates white light with optimized color rendition. In HSI mode the product generates colored light. If saturation is set very low, the product generates white light, but not with optimized color rendition.

To set the color temperature and green/magenta saturation in CCT mode

Set the color temperature continuously with the rotary knob CCT/HUE. Set the green/magenta saturation continuously with the rotary knob GN/SAT.

Press the + / [up] or - / [down] button until GRN is displayed left in the display (e.g. +0.23) to retrieve the currently set green/magenta value. The color temperature is always displayed (e.g. 4.150K).

To set the color in HSI mode (only ARRI L5-C)

Set the hue continuously with the rotary knob CCT/HUE. Set the saturation continuously with the rotary knob GN/SAT.

Press the + / [up] or - / [down] button until SAT is displayed left in the display (e.g. 45) to retrieve the currently set saturation value. The hue is always displayed (e.g. 118°).

To set the brightness in both operating modes

Set the brightness in both operating modes continuously with the rotary knob INTENSITY

Press the + / [up] or - / [down] button until INTENSITY is displayed left in the display (e.g. 24%) to retrieve the currently set brightness value.

To set the fan mode

Set the fan mode using the fixture menu:

- Press the + / [up] or - / [down] button, until SETUP is displayed left in the display.
- Confirm with the ENTER button. Press the + / [up] or - / [down] button until FAN is displayed.
- Confirm with the ENTER button. The current fan mode is displayed.
- Press the + / [up] or - / [down] button to select the fan mode (see the table below). Confirm the selected mode with the ENTER button. The fan mode is activated immediately.
- Press the FUNCT button two times to leave the menu.

Fan mode	Description
LOW	Fan operates constantly at low speed (silent)
VARI	The temperature of the light engine controls the fan speed. The fan starts running at app. 70% brightness.
HI45	Use this mode for ambient temperatures up to 45° C / 113° F. The fan runs at maximum speed. The maximum brightness is reduced by app. 15%.

To set the DMX address

- Press the + / [up] or - / [down] button, until SETUP is displayed left in the display.
- Confirm with the ENTER button. Press the + / [up] or - / [down] button until DMX is displayed.
- Confirm with the ENTER button. Press the + / [up] or - / [down] button until CHAN is displayed.
- Confirm with the ENTER button. The current DMX address is displayed.
- Press the + / [up] or - / [down] button to select the DMX address. Confirm the selected address with the ENTER button. The DMX address blinks three times for confirmation.
- Press the FUNCT button to leave the menu.

To set the Signal lost behavior

Set the signal lost behavior:

- Press the + / [up] or - / [down] button, until SETUP is displayed left in the display.
- Confirm with the ENTER button. Press the + / [up] or - / [down] button until DMX is displayed.
- Confirm with the ENTER button. Press the + / [up] or - / [down] button until PROT is displayed.
- Confirm with the ENTER button. The current setting is displayed.

The following options are available:

- HOLD: The last received DMX values are used until the fixture is switched off or valid DMX data is received again.
- BOUT: The fixtures douses to 0% intensity.
- H2MF: The last received DMX values are used for 2 minutes. After 2 minutes the fixture douses to 0% intensity. When valid DMX data is received after less than 2 minutes, these data will be used.
- Press the + / [up] or - / [down] button to select the signal lost behavior. Confirm the selected mode with the ENTER button. The option blinks three times for confirmation.
- Press the FUNCT button to leave the menu.

To set the DMX mode

Set the DMX mode using the fixture menu:

- Press the + / [up] or - / [down] button, until SETUP is displayed left in the display.
- Confirm with the ENTER button. Press the + / [up] or - / [down] button until DMX is displayed.
- Confirm with the ENTER button. Press the + / [up] or - / [down] button until PROT is displayed.
- Confirm with the ENTER button. The current DMX mode is displayed.

- Press the + / [up] or - / [down] button to select the DMX mode. Confirm the selected mode with the ENTER button. The DMX mode blinks three times for confirmation.
- Press the FUNCT button to leave the menu.

To set the display illumination and status indicators

To switch the display illumination and status indicators on or off:

- Press the + / [up] or - / [down] button, until SETUP is displayed left in the display.
- Confirm with the ENTER button. Press the + / [up] or - / [down] button until INDC is displayed.
- Confirm with the ENTER button. The current setting is displayed.
- Press the + / [up] or - / [down] button to select the option ON or OFF. Confirm the selected mode with the ENTER button.
- Press the FUNCT button to leave the menu.

To read out fixture information

To display fixture information:

Operating hours

- Press the + / [up] or - / [down] button, until STATUS is displayed left in the display.
- Confirm with the ENTER button. Press the + / [up] or - / [down] button until HOUR is displayed.

- Confirm with the ENTER button. The current operating hours are displayed (e.g. 501h).
- Press the FUNCT button to leave the menu.

Version of the DMX protocol

To display the version of the DMX protocol:

- Press the + / [up] or - / [down] button, until STATUS is displayed left in the display.
- Confirm with the ENTER button. Press the + / [up] or - / [down] button until DMXV is displayed.
- Confirm with the ENTER button. The current version is displayed (e.g. 3.1).
- Press the FUNCT button to leave the menu.

Firmware-version

To display the firmware-version:

- Press the + / [up] or - / [down] button, until STATUS is displayed left in the display.
- Confirm with the ENTER button. Press the + / [up] or - / [down] button until SW is displayed.
- Confirm with the ENTER button. The current firmware version is displayed (e.g. 2.0).

Recent temperature

To display the recent temperature of the light engine:

- Press the + / [up] or - / [down] button, until STATUS is displayed left in the display.
- Confirm with the ENTER button. Press the + / [up] or - / [down] button until the temperature (e.g. 42,1°) is displayed.
- Press the FUNCT button to leave the menu.

Error status

To display the error status:

- Press the + / [up] or - / [down] button, until STATUS is displayed left in the display.
- Confirm with the ENTER button.
- If there is no error, OK will be displayed. Otherwise the error code is displayed (see "Error messages" on page 34).
- Press the FUNCT button to leave the menu.

Short cuts

The demo mode, setting the DMX address and DMX mode can be called up via short cuts in the fixture menu:

- Press and hold the ENTER button, until JUMP is displayed in the display (from every menu).
- Press and hold the FUNCT button to activate the demo mode. Press the ENTER button again to deactivate the demo mode.
- Press the + / [up] button to set the DMX address.

- Press the - / [down] button to set the DMX mode.

The JUMP menu closes 3 sec. after the last key press or after pressing the ENTER button.

Demo mode

In demo mode the fixture calls up an endless loop with all features the product supports.

- **ARRI L5-TT and ARRI L5-DT:** Change of the color temperature from warm to cold and vice versa. Set the intensity with the dimmer knob. Set the speed with the CCT knob from 0-100% (60 s - 1 s).
- **ARRI L5-C:** Call up the color spectrum or change the color temperature from warm to cold and vice versa. Set the intensity with the dimmer knob. Set the speed with the CCT knob from 0-100% (60 s - 1 s). The GN knob sets the saturation and changes between color and color temperature sequence. With GN at „0“ the color temperature loop is active. Turn the GN knob clockwise to increase the saturation to 100%.
- Press the JUMP and FUNCT button or the FUNCT button alone to deactivate the demo mode.

As an alternative activate and deactivate the demo mode in the menu Setup -> DEMO.

Shift key

This short cut is only available in the main menu. Press the ENTER button, until a small arrow starts blinking in the display. Memory 1 or memory 2 calls up one of two factory settings.

DMX control

DMX mode

The ARRI L5 series offers, depending on the model, up to 15 DMX modes. Use the 8 bit modes with basic DMX controllers like dimmer consoles. The most common modes for operation via DMX are mode 1 and mode 2.

ARRI recommends the use of the 16 bit modes in combination with DMX controllers supporting 16 bit resolution to obtain best results. The high resolution provides smooth dimming and precise color adjustments.

The coarse/fine modes utilize two DMX channels for most parameters and provide higher resolution compared to the 8 bit modes in combination with DMX controllers that do not support 16 bit resolution. One channel sets the coarse value of the function which is divided in 256 increments using the fine channel.

The setting can be changed any time using the rotary knobs of the fixture menu.

White and RGBW

This is the most common mode of operation. It provides control of intensity, color temperature, +/- green and individual channels for controlling the red, green, blue and white color.

White

Simple white-only mode. It is used when the number of available channels of the DMX controller is very limited. It provides control of intensity, color temperature and +/- green.

White & HSI

Provides control of intensity, color temperature, +/- green, hue and saturation (HSI = hue, saturation, intensity). In HSI mode the color and intensity is very even over the fixtures as it is controlled using color algorithms which take the tolerances of the light engines into account during calculation.

RGBW

Simple mode for controlling red, green, blue and white when only a limited number of DMX channels is available.

HSI

Simple mode for controlling hue, saturation and intensity when only a limited number of DMX channels is available.

Please find a detailed description of all modes in chapter "DMX protocol" on page 36.

Note: Depending on the selected DMX mode the channels required for each product should be allocated in the DMX controller to provide independent control of all products connected to the controller.

DMX data link

For controlling the ARRI L5 via DMX you need a DMX data link.

The ARRI L5 has 5-pin locking XLR sockets for DMX and RDM data input and output. The default pin-out of both sockets is:

Pin 1 = Shield

Pin 2 = Data - (cold)

Pin 3 = Data + (hot).

Pins 4 and 5 are not used by the ARRI L5 but are bridged between input and output sockets. These pins can therefore be used as a pass-through connection for an additional data signal if required.

Pin 4 = Data - (cold)

Pin 5 = Data + (hot).

The limitation of 32 products per data link is not applicable for the ARRI L5. You must not connect more than 256 products per data link. Depending on the channel requirements the address space of a data link (512 channels) may not be enough to control all products connected. You may set more than one product to identical DMX addresses to obtain identical behavior. For independent control every product needs to be assigned an individual address range.

If you need to control more products individual, you need to set up additional DMX data links.

Tips for reliable data transmission

- Use shielded twisted-pair cable designed for RS-485 devices: standard microphone cable cannot transmit control data reliably over long runs. 24 AWG cable is suitable for runs up to 300 meters (1000 ft.). Heavier gauge cable and/or an amplifier is recommended for longer runs.
- To split the data link, use a DMX splitter.
- Install a DMX termination plug on the last product of every DMX data link.

To connect the data link



IMPORTANT! When using the 5-pin XLR data input, do not use the data input of the 4-pin powerDMX at the same time and vice versa. When the ARRI L5 receives control signals on both data inputs it will behave strange and erratically. You will not be able to control the ARRI L5 via DMX.

- Connect the DMX data output from the controller to the data input (male XLR) of the ARRI L5.
- Run the data link from the data output (female XLR) to the data input of the next product.
- Terminate the data link by connecting a 120 Ohm, 0.25 Watt resistor between the data 1 hot (+) and cold (-) conductors (and between data 2 hot and cold if used) at the data output of the last product on the link.

Fixture Menu

From firmware-version 2.0

Note: The small, horizontal arrow in the displays indicates sub-menus. Press the ENTER button to access the sub-menus.

Level 1	Level 2	Level 3	Level 4	Description (Default = bold)
Intensity				Displays the recent intensity level when turning the dimmer knob in %.
CCT				Only in CCT mode: Displays the recent color temperature when turning the CCT/HUE knob in K
HUE				Only in HUE mode (only ARRI L5-C): Displays the recent hue when turning the CCT/HUE knob in ° (0-360°)
GRN				Only in CCT mode: Displays the recent green / magenta value when turning the GRN/SAT knob in %
SAT				Only in HUE mode (only ARRI L5-C): Displays the recent saturation when turning the GRN/SAT knob in %

Status Messages

From firmware-version 2.0

Note: The small, horizontal arrow in the displays indicates sub-menus. Press the ENTER button to access the sub-menus.

Note: In setup and status mode the options keep available until another function is called up. All other modes return to the appropriate mode after 2 sec.

Level 1	Level 2	Level 3	Level 4	Description
STATUS	OK			Product ready for operation, no errors
	ERROR			Error message (see "Error messages" on page 34)
	SW			Firmware version
	DMX V	X.X		Version of the DMX protocol
	HOUR	XXXX t		Hours of operation
	XX.X°C			Recent temperature of the light engine
	VBAT	XX.XV		Recent voltage of the battery pack

Fixture Menu

From firmware-version 2.0

Note: The small, horizontal arrow in the displays indicates sub-menus. Press the ENTER button to access the sub-menus.

Note: In setup and status mode the options keep available until another function is called up. All other modes return to the appropriate mode after 2 sec.

Level 1	Level 2	Level 3	Level 4	Description (Default setting = bold)
SETUP	DMX	PROT	P.001 ...P.015	Set the DMX mode
		LSIG	HOLD	DMX values are hold when DMX signal is lost
			BOUT	Product douses when DMX signal is lost
			H2MF	Product douses 2 min after DMX signal is lost
		CHAN	1...512[-Mode]	Set the DMX start address. Max. start address = 512 - channels used by the DMX mode chosen
	FACT	NO	Do not load the factory defaults	
		YES	Load the factory defaults	
	DEMO	ON	Activate the demo sequence (see page 24)	
		OFF	De-activate the demo sequence	
	INDC	ON	The status indicators and the illumination of the display stay ON	
		OFF	The status indicators and the illumination of the display switch OFF	
	FAN	LOW	Fan mode LOW	
		VARI	Fan mode VARI	
		HI45	Fan mode HI45	

RDM commands

From Firmware-version 2.0

Command	Description	GET	SET
Discover Unique Branch	Searches RDM device	X	X
Discover Mute	Mutes the RDM device, no response messages	X	X
Discover Unmute	Activates device for response messages	X	X
Supported Parameters	Shows a list of all supported RDM commands	X	
Parameter Description	Shows a list of commands that are not standard rdm commands, mostly commands from manufacturer. Describes the data type and shows if Set or Get or both are supported for the listed commands.	X	
Device Info	Lists RDM protocol version, device model ID, product category, software version ID (from Main), DMX footprint, DMX personality, sub-device count and sender count.	X	
Software Version Label	Shows the software version string from main, e.g. Main 1.66.1 Yes 16 2012 19:10:26	X	
DMX Start Address	DMX address	X	X
Identify Service	Identify Flag -> physically flash the light, ARRI L5-C flashes Blue and all other White	X	X

Required RDM command extensions

Command	Description	GET	SET
Status Message	Display of actual warning / error message of the fixture.	X	
Status ID Description	Detailed description of each warning / status report.	X	
Device Label	This parameter allows you to generate an informative label for each fixture. It can be utilized to identify the rack number of a dimmer or to determine the position of a fixture	X	X
Product Detail ID List	This parameter is utilized to retrieve technical details of a fixture. ARRI L5 shows LED with PWM control	X	
Device Model Description	A text description of up to 32 characters for the model type of the fixture. ARRI L5-C, ARRI L5 Daylight Tuneable or ARRI L5 Tungsten Tuneable	X	
Manufacturer Label	Display the company name ARRI Lighting	X	
Boot Software Version ID	PrBo SW Version e.g. „2.03.00“	X	
Boot Software Version Label	Shows text from PrBo Bootloader, e.g. PrBo 2.03.00 Jan 16 2012 19:10:26	X	
DMX Personality	DMX mode	X	X
DMX Personality Description	Displays a text description of a DMX mode with up to 32 characters, shown exactly as in the description in the LS-Manager	X	
Slot Info	Shows a description for each DMX channel in use in the requested DMX mode	X	
Slot Description	Shows a text description with max. 32 characters for each DMX channel from the requested DMX mode	X	
Default Slot Value	Shows the default DMX channel value from the requested DMX mode	X	
Sensor Definition	Shows the definition from a specific sensor and a text description	X	
Sensor Value	Shows the actual sensor value	X	
Device Hours	Shows the actual device hours of the fixture	X	

Command	Description	GET	SET
Lamp Hours	Shows the actual lamp hours of the fixture	X	
Factory Defaults	This command deletes all user parameters and sets the fixture to factory default	X	X
Device Power Cycles	Shows the power cycle value, counts every cold start (switch or power-up)	X	
Reset Device	Fixture makes a software reset (warm start) and carries out a reboot	X	X
Power State	Power state of the fixture, supported power states: POWER_STATE_STANDBY (0x02), POWER_STATE_NORMAL (0xFF), POWER_STATE_FULL_OFF (0x00) POWER_STATE_SHUTDOWN (0x01)	X	X
Perform Selftest	Supported test modes and demo modes	X	X
Self Test Description	Shows a description for each test / demo mode	X	

Manufacturer commands

Command	Description	GET	SET
RDM Fan Mode PID: 0x8001	Changes the FAN mode of the fixture - this message supports Set and Get commands - the first data byte is used to show / change the fan mode USER_FAN_MODE_LOW = 1 USER_FAN_MODE_VARI = 2 USER_FAN_MODE_HI45 = 3	X	X
RDM Status LED PID: 0x8002	Switch on /off indication LEDs and LCD back light - this message supports Set and Get commands - the first data byte is used to switch indication LEDs on and off LEDs and LCD back light on = 0 LEDs and LCD back light off = 1	X	X
Supported values from -1 to +1			
RDM DMX Signal Lost Mode PIS: 0x8005	If the DMX signal gets lost or the DMX device is unplugged the LED fixture holds the last valid signal, or it holds the last valid signal for two minutes and then douses or switches off immediately. Supported values: 0 -> hold 1 -> hold 2 minutes 3 -> switch off	X	X

LSeries Manager

Please find information about the features and the functionality of the LSeries Managers in the user manual for the LSeries Manager, which can be downloaded with the LS-Manager software-bundle from the ARRI web site www.arri.com free of charge.

Error messages

From firmware-version 2.0

Code	Error	Remedy
E.003	Controller over temperature. STATUS lit up red.	Let the product cool down. The STATUS indicator changes to green when the product reaches the safe temperature operating zone again. Turn the dimmer knob to „0“ or send an intensity value „0“ via DMX to activate the light engine again.
E.004	Light engine over temperature	See E.003
E.005	Power supply over temperature	See E.003
E.006	Calibration data of light engine faulty or EEPROM error.	WARNING: Loss of calibration data. This error can only be fixed by re-calibrating the light engine. Please contact the ARRI service.
E.007	Invalid PWM value calculation	Notice: The product can be used on. This message is more a notification than an error.
E.008	Invalid values during calculation	See E.007
E.009	Invalid values during calculation	See E.007
E.010	Fan error. The detected fan speed deviates from the programmed fan speed or the fan doesn't run at all.	CAUTION: Only a trained service person is allowed to fix this error! Set the fan to LOW or HI and see if it starts rotating, in order to determine if there is an electrical malfunction. All mechanical tests or repairs may only be carried out by a trained service technician.
E.011	Fixture menu module not be detected.	If the fixture menu is working, error E.011 can be ignored. However, if the fixture menu remains dark (no LED lights up) we recommend to contact the ARRI service. They can then carry out detailed analyses.
E.012	Temperature sensor(s) are defective or deviation within NTC values too high.	One or more temperature sensors are defective or the deviation within the individual NTCs or BNTCs exceeds the variation tolerance of 12° C / 54° F. Check the error log (LSeries Manager) to see which temperature sensors are affected. Contact the ARRI service.

Code	Error	Remedy
E.013	Calibration data of controller faulty or EEPROM error.	WARNING: Loss of calibration data. This error can only be fixed by re-calibrating the controller. Please contact the ARRI service.
E.014	Watchdog error	Notice: The product can be used on. This message is more a notification than an error.
E.015	LED channel faulty	Notice: The product can be used on. This message is more a notification than an error.
E.016	Battery voltage protection active	The battery input detected an input voltage higher than 44 V=.
E.017	Low battery shut off	The output voltage of the battery pack is lower than 23 V=. Change the battery pack. The product will not react to commands until you disconnect it from the power source.

DMX protocol

ARRI L5-TT (Tungsten Tuneable)

From firmware-version 2.0

Overview

8 bit, 1 channel per function	16 bit, 2 channels per function	Coarse / fine, 1-2 channels per function
DMX mode 1*	DMX mode 2	DMX mode 3

* = Factory default

GN saturation

The value describes the shift from the neutral point to full minus green or full plus green in percent.
(Reference: Rosco Cinegel #3304 and #3308)

Mode 1: 8 bit resolution per function

Channel	Value	Percent	Function
1	0-255	0-100	Dimmer closed → open
2	0-255	0-100	Color temperature CCT 2.600 K → 3.600 K
3	0-10 11-20 21-119 120-145 146-244 245-255	0-4 5-8 8-46 47-57 57-96 96-100	GN saturation neutral / no effect full minus green -99% → -1% neutral / no effect 1% → 99% full plus green

Mode 2: 16 bit resolution per function

Channel		Value	Percent	Function
1	HI	0-65535	0-100	Dimmer closed → open
2	LO			
3	HI	0-65535	0-100	Color temperature 2.600 K → 3.600 K
4	LO			
5	HI	0-5.000	0-7	GN saturation neutral / no effect full minus green -99% → -1% neutral / no effect 1% → 99% full plus green
6	LO	5.001-10.000	8-15	
		10.001-29.999	16-46	
		30.000-40.000	46-61	
		40.001-59.999	61-92	
		60.000-65.535	92-100	

Mode 3: Coarse / fine channel per function

Each of the 256 coarse steps is divided in 256 fine steps. Use this mode when your lighting control desk does not support true 16 bit resolution.

Channel	Value	Percent	Function
1	0-255	0-100	Dimmer coarse closed → open
2	0-255	0-100	Dimmer fine
3	0-255	0-100	Color temperature coarse 2.600 K → 3.600 K
4	0-255	0-100	Color temperature fine
5	0-10 11-20 21-119 120-145 146-244 245-255	0-4 5-8 8-46 47-57 57-96 96-100	GN saturation neutral / no effect full minus green -99% → -1% neutral / no effect 1% → 99% full plus green

ARRI L5-DT (Daylight Tuneable)

From firmware-version 2.0

Overview

8 bit, 1 channel per function	16 bit, 2 channels per function	Coarse / fine, 2 channels per function
DMX mode 1*	DMX mode 2	DMX mode 3

* = Factory default

GN saturation

The value describes the shift from the neutral point to full minus green or full plus green in percent.

(Reference: Rosco Cinegel #3304 and #3308)

Mode 1: 8 bit resolution per function

Channel	Value	Percent	Function
1	0-255	0-100	Dimmer closed → open
2	0-255	0-100	Color temperature CCT 5.000 K → 6.500 K
3	0-10 11-20 21-119 120-145 146-244 245-255	0-4 5-8 8-46 47-57 57-96 96-100	GN saturation neutral / no effect full minus green -99% → -1% neutral / no effect 1% → 99% full plus green

Mode 2: 16 bit resolution per function

Channel		Value	Percent	Function
1	HI	0-65535	0-100	Dimmer closed → open
2	LO			
3	HI	0-65535	0-100	Color temperature CCT 5.000 K → 6.500 K
4	LO			
5	HI	0-5.000	0-7	GN saturation neutral / no effect full minus green -99% → -1%
6	LO	5.001-10.000	8-15	
		10.001-29.999	16-46	
6	LO	30.000-40.000	46-61	neutral / no effect 1% → 99%
		40.001-59.999	61-92	
		60.000-65.535	92-100	full plus green

Mode 3: Coarse / fine channel per function

Each of the 256 coarse steps is divided in 256 fine steps. Use this mode when your lighting control desk does not support true 16 bit resolution.

Channel	Value	Percent	Function
1	0-255	0-100	Dimmer coarse closed → open
2	0-255	0-100	Dimmer fine
3	0-255	0-100	Color temperature coarse 5.000 K → 6.500 K
4	0-255	0-100	Color temperature fine
5	0-10 11-20 21-119 120-145 146-244 245-255	0-4 5-8 8-46 47-57 57-96 96-100	GN saturation neutral / no effect full minus green -99% → -1% neutral / no effect 1% → 99% full plus green

ARRI L5-C

From firmware-version 2.0

Overview

8 bit, 1 channel per function	16 bit, 2 channels per function	Coarse/fine, 1-2 channels per function
DMX mode 1* White & RGBW	DMX mode 6 White & RGBW	DMX mode 11 White & RGBW
DMX mode 2 White	DMX mode 7 White	DMX mode 12 White
DMX mode 3 White & HSI	DMX mode 8 White & HSI	DMX mode 13 White & HSI
DMX mode 4 RGBW	DMX mode 9 RGBW	DMX mode 14 RGBW
DMX mode 5 HSI	DMX mode 10 HSI	DMX mode 15 HSI

* = Factory default

GN saturation

The value describes the shift from the neutral point to full minus green or full plus green in percent.

(Reference: Rosco Cinegel #3304 and #3308)

Mode 1: White & RGBW, 8 bit resolution per function

Channel	Value	Percent	Function
1	0-255	0-100	Dimmer closed → open
2	0-255	0-100	Color temperature CCT 2.800 K → 10.000 K
3	0-10 11-20 21-119 120-145 146-244 245-255	0-4 5-8 8-46 47-57 57-96 96-100	GN saturation neutral / no effect full minus green -99% → -1% neutral / no effect 1% → 99% full plus green
4	0-255	0-100	Xfade to color White → RGBW color
5	0-255	0-100	Intensity red 0% → 100%
6	0-255	0-100	Intensity green 0% → 100%
7	0-255	0-100	Intensity blue 0% → 100%
8	0-255	0-100	Intensity white 0% → 100%

Mode 2: White, 8 bit resolution per function

Channel	Value	Percent	Function
1	0-255	0-100	Dimmer closed → open
2	0-255	0-100	Color temperature CCT 2.800 K → 10.000 K
3	0-10 11-20 21-119 120-145 146-244 245-255	0-4 5-8 8-46 47-57 57-96 96-100	GN saturation neutral / no effect full minus green -99% → -1% neutral / no effect 1% → 99% full plus green

Mode 3: White & HSI, 8 bit resolution per function

Channel	Value	Percent	Function
1	0-255	0-100	Dimmer closed → open
2	0-255	0-100	Color temperature CCT 2.800 K → 10.000 K
3	0-10 11-20 21-119 120-145 146-244 245-255	0-4 5-8 8-46 47-57 57-96 96-100	GN saturation neutral / no effect full minus green -99% → -1% neutral / no effect 1% → 99% full plus green
4	0-255	0-100	Xfade to color White → RGBW color
5	0-255	0-100	Hue 0° → 360°
6	0-255	0-100	Saturation 0 → full saturated

Mode 4: RGBW, 8 bit resolution per function

Channel	Value	Percent	Function
1	0-255	0-100	Dimmer closed → open
2	0-255	0-100	Intensity red 0% → 100%
3	0-255	0-100	Intensity green 0% → 100%
4	0-255	0-100	Intensity blue 0% → 100%
5	0-255	0-100	Intensity white 0% → 100%

Mode 5: HSI, 8 bit resolution per function

Channel	Value	Percent	Function
1	0-255	0-100	Dimmer closed → open
2	0-255	0-100	Hue 0° → 360°
3	0-255	0-100	Saturation 0 → full saturated

Mode 6: White & RGBW, 16 bit resolution per function

Channel	Value	Percent	Function	
1	HI	0-65535	0-100	Dimmer closed → open
2	LO			
5	HI	0-5.000 5.001-10.000 10.001-29.999 30.000-40.000 40.001-59.999 60.000-65.535	0-7 8-15 16-46 46-61 61-92 92-100	GN saturation neutral / no effect full minus green -99% → -1% neutral / no effect 1% → 99% full plus green
6	LO			
7	HI	0-65.535	0-100	Xfade to color White → RGBW color
8	LO			
9	HI	0-65.535	0-100	Intensity red 0% → 100%
10	LO			
11	HI	0-65.535	0-100	Intensity green 0% → 100%
12	LO			
13	HI	0-65.535	0-100	Intensity blue 0% → 100%
14	LO			
15	HI	0-65.535	0-100	Intensity white 0% → 100%
16	LO			

Mode 7: White, 16 bit resolution per function

Channel		Value	Percent	Function
1	HI	0-65535	0-100	Dimmer closed → open
2	LO			
7	HI	0-65.535	0-100	Color temperature 2.800 K → 10.000 K
8	LO			
5	HI	0-5.000	0-7	GN saturation neutral / no effect full minus green -99% → -1% neutral / no effect 1% → 99% full plus green
6	LO	5.001-10.000	8-15	
		10.001-29.999	16-46	
		30.000-40.000	46-61	
6	LO	40.001-59.999	61-92	
		60.000-65.535	92-100	

Mode 8: White & HSI, 16 bit resolution per function

Channel		Value	Percent	Function
1	HI	0-65535	0-100	Dimmer closed → open
2	LO			
7	HI	0-65.535	0-100	Color temperature 2.800 K → 10.000 K
8	LO			
5	HI	0-5.000	0-7	GN saturation neutral / no effect full minus green -99% → -1% neutral / no effect 1% → 99% full plus green
6	LO	5.001-10.000	8-15	
		10.001-29.999	16-46	
		30.000-40.000	46-61	
6	LO	40.001-59.999	61-92	
		60.000-65.535	92-100	
7	HI	0-65.535	0-100	Xfade to color White → RGBW color
8	LO			
9	HI	0-65.535	0-100	Hue 0° → 360°
10	LO			
11	HI	0-65.535	0-100	Saturation 0 → full saturated
12	LO			

Mode 9: RGBW, 16 bit resolution per function

Channel		Value	Percent	Function
1	HI	0-65535	0-100	Dimmer closed → open
2	LO			
3	HI	0-65.535	0-100	Intensity red 0% → 100%
4	LO			
5	HI	0-65.535	0-100	Intensity green 0% → 100%
6	LO			
7	HI	0-65.535	0-100	Intensity blue 0% → 100%
8	LO			
9	HI	0-65.535	0-100	Intensity white 0% → 100%
10	LO			

Mode 10: HSI, 16 bit resolution per function

Channel		Value	Percent	Function
1	HI	0-65535	0-100	Dimmer closed → open
2	LO			
3	HI	0-65.535	0-100	Hue 0° → 360°
4	LO			
5	HI	0-65.535	0-100	Saturation 0 → full saturated
6	LO			

Mode 11: White & RGBW, Coarse/fine per function

Channel	Value	Percent	Function
1	0-255	0-100	Dimmer coarse closed → open
2	0-255	0-100	Dimmer fine
3	0-255	0-100	Color temperature coarse 2.800 K → 10.000 K
4	0-255	0-100	Color temperature fine
5	0-10 11-20 21-119 120-145 146-244 245-255	0-4 5-8 8-46 47-57 57-96 96-100	GN saturation neutral / no effect full minus green -99% → -1% neutral / no effect 1% → 99% full plus green
6	0-255	0-100	Xfade to color White → RGBW color
7	0-255	0-100	Intensity red coarse 0% → 100%
8	0-255	0-100	Red fine
9	0-255	0-100	Intensity green coarse 0% → 100%
10	0-255	0-100	Green fine
11	0-255	0-100	Intensity blue coarse 0% → 100%

Channel	Value	Percent	Function
12	0-255	0-100	Blue fine
13	0-255	0-100	Intensity white coarse 0% → 100%
14	0-255	0-100	White fine

Mode 12: White, Coarse / fine channel per function

Channel	Value	Percent	Function
1	0-255	0-100	Dimmer coarse closed → open
2	0-255	0-100	Dimmer fine
3	0-255	0-100	Color temperature coarse 2.800 K → 10.000 K
4	0-255	0-100	Color temperature fine
5	0-10 11-20 21-119 120-145 146-244 245-255	0-4 5-8 8-46 47-57 57-96 96-100	GN saturation neutral / no effect full minus green -99% → -1% neutral / no effect 1% → 99% full plus green

Mode 13: White & HSI, Coarse / fine channel per function

Channel	Value	Percent	Function
1	0-255	0-100	Dimmer coarse closed → open
2	0-255	0-100	Dimmer fine
3	0-255	0-100	Color temperature coarse 2.800 K → 10.000 K
4	0-255	0-100	Color temperature fine
5	0-10 11-20 21-119 120-145 146-244 245-255	0-4 5-8 8-46 47-57 57-96 96-100	GN saturation neutral / no effect full minus green -99% → -1% neutral / no effect 1% → 99% full plus green
6	0-255	0-100	Xfade to color White → RGBW color
7	0-255	0-100	Hue coarse 0 → 360°
8	0-255	0-100	Hue fine
9	0-255	0-100	Saturation coarse 0 → full saturated
10	0-255	0-100	Saturation fine

Mode 14: RGBW, Coarse / fine channel per function

Channel	Value	Percent	Function
1	0-255	0-100	Dimmer coarse closed → open
2	0-255	0-100	Dimmer fine
3	0-255	0-100	Intensity red coarse 0% → 100%
4	0-255	0-100	Red fine
5	0-255	0-100	Intensity green coarse 0% → 100%
6	0-255	0-100	Green fine
7	0-255	0-100	Intensity blue coarse 0% → 100%
8	0-255	0-100	Blue fine
9	0-255	0-100	Intensity white coarse 0% → 100%
10	0-255	0-100	White fine

Mode 15: HSI, Coarse / fine channel per function

Channel	Value	Percent	Function
1	0-255	0-100	Dimmer coarse closed → open
2	0-255	0-100	Dimmer fine
3	0-255	0-100	Hue coarse 0 → 360°
4	0-255	0-100	Hue fine
5	0-255	0-100	Saturation coarse 0 → full saturated
6	0-255	0-100	Saturation fine

Overview of typical CCT values as DMX values

CCT-Value	DMX-Value (8 bit)			DMX-Value (16 bit)		
	L5-TT	L5-DT	L5-C	L5-TT	L5-DT	L5-C
3.200 K	153	--	14	39.321	--	3.670
5.600 K	--	102	99	--	26.214	25.493
6.000 K	--	170	113	--	43.712	29.098
6.500 K	--	100%	131	--	65.535	33.685

To calculate CCT values in DMX % and vice versa

Use the following formulas to transform CCT values in DMX % values and vice versa:

$$CCT_{\text{Target}} = \frac{(CCT_{\text{max}} - CCT_{\text{min}}) \times DMX_{\text{in percent}}}{100} \times CCT_{\text{min}}$$

$$DMX_{\text{in percent}} = \frac{CCT_{\text{recent}} - CCT_{\text{min}}}{CCT_{\text{max}} - CCT_{\text{min}}} \times 100$$

CCT values for the ARRI L5 models:

L5-TT (Tungsten Tuneable)

$$CCT_{\text{min}} = 2.600 \text{ K}$$

$$CCT_{\text{max}} = 3.600 \text{ K}$$

L5-DT (Daylight Tuneable)

$$CCT_{\text{min}} = 5.000 \text{ K}$$

$$CCT_{\text{max}} = 6.500 \text{ K}$$

L5-C

$$CCT_{\text{min}} = 2.800 \text{ K}$$

$$CCT_{\text{max}} = 10.000 \text{ K}$$

Specifications

Physical

Length (Focus in flood position)	280 mm (11 in.)
Length (Focus in spot position)	373 mm (14.7 in.)
Width	220 mm (8.7 in.)
Height	240 mm (9.5 in., Stirrup folded down)
Latch distance	169 mm / 6.65 "
Width for accessories	168 mm / 6.6 "
Weight (manual version, w/o accessories)	5.1 kg (11.2 lbs.)
Weight (P.O. version, w/o accessories)	7.0 kg (15.4 lbs.)

Light source

Type	ARRI LED Lightengine
Typ. LED lifetime L70	30.000 h
White light	2.800 K - 10.000 K (ARRI L5-C)
.	2.600 K - 3.600 K (ARRI L5-TT)
.	5.000 K - 6.500 K (ARRI L5-DT)
Colored light	RGBW color mixing (only ARRI L5-C)
Color rendering index	typ. CRI >94
Green/Magenta saturation	+/- 1 (full green to full magenta)

Optical path

Type	Fresnel, focussable
Lens diameter	137 mm / 5"
Half peak angle	15° - 50°

Dynamic functions

Dimmer	electronic, 0 - 100%
Color mixing	RGBW color mixing
.	(Hue and saturation, only ARRI L5-C)

Control and Programming

DMX channels	1-16 channels, depending on type and mode
Setting and addressing	Fixture menu and RDM
DMX compliance	ESTA DMX 512A
RDM compliance	ESTA DMX 512A
Firmware update	USB interface and LS manager

Construction

Color	Blue/silver or black
Housing	Composite housing with aluminum frame
Protection rating	IP 20

Installation

Mounting	short 28 mm (1.1 in.) spigot with 16 mm (0.63 in.) hole
Orientation	+/- 90°
Minimum clearance around fixture	0,5 m (19.7 in.)
Minimum view distance to light aperture	0,5 m (19.7 in.)

Connections

AC power input	Neutrik® PowerCON® True1
Battery power input	4-pin locking XLR connector
DMX and RDM data in/out	5-pin, locking XLR connector
USB connector	Mini-USB-A

Electrical

AC power	90 - 250 V~, 45 - 65 Hz AC
Power supply	Auto-sensing switching-mode power supply
Fuse	2 A T, 250 V~, 5 x 20 mm
Battery voltage23 - 36 V =

Typical Power

230 V, 50 Hz.....	115 W
cos φ.....	> 0.9
Measurements made at nominal voltage with all LEDs at full intensity.	
Allow for a deviation of +/- 10%	

Noise emission

Ambient temperature = 35° C (95° F).....	< 20dB(A)
Ambient temperature = 45° C (113° F).....	< 30dB(A)

Thermal

Minimum ambient temperature (t _a).....	-20° C (-4° F)
Maximum ambient temperature (t _a)	45° C (113° F)
Cooling	Silent, temperature-controlled fan cooling

Approvals

EU safety	EN / IEC 60598-2-17
	EN / IEC 60598-1
	EN / IEC 62471
	EN / IEC 62493
EU EMC	EN 55015
	EN / IEC 61000-3-2
	EN / IEC 61000-3-3
	EN / IEC 61547

	CISPR 15
US safety	UL1573
US EMC	FCC CFR 47 Part 2
	FCC CFR 47 Part 15
Canada safety	CAN/CSA C22.2 No. 166
	CAN/CSA C22.2 No. 9.0
	CAN/CSA C22.2 NO. 9.0S1
Canada EMC	ICES-003

Included items

Short 28 mm spigot with 16 mm hole, and short fixing screw (set).....	L2.40701.2
Short instructions	L5.0001304
Power input cable	

Accessories

Power input cable 1,5 m, EN, PowerCon TRUE1, bare end	L2.0001485
Power input cable 3,0 m, EN, Switch, PowerCon TRUE1, Schuko plug	L2.0001486
Power input cable 7,0 m, US, Switch, PowerCON TRUE1, Edison plug	L2.0001487
4-leaf barndoor (168 mm, 6.6 ")	L2.79470.0
8-leaf barndoor (168 mm, 6.6 ")	L2.79500.0
Filter frame (168 mm, 6.6 ")	L2.79490.0
Scrim (168 mm, 6.6 ").....	L2.79460._

Order information

L5-C, P.O., black, bare end	L0.0001952
L5-C, P.O., blue/silver, bare end	L0.0001953
L5-C, MAN., black, bare end	L0.0001954
L5-C, MAN., blue/silver, Schuko (3 m)	L0.0001955
L5-C, MAN., blue/silver, Edison (7 m)	L0.0001956
L5-C, MAN., blue/silver, bare end	L0.0001958
L5-TT, P.O., black, bare end	L0.0001976
L5-TT, P.O., blue/silver, bare end	L0.0001977
L5-TT, MAN., black, bare end	L0.0001978
L5-TT, MAN., blue/silver Schuko (3 m)	L0.0001979
L5-TT, MAN., blue/silver, Edison (7 m)	L0.0001980
L5-TT, MAN., blue/silver, bare end.	L0.0001982
L5-DT, P.O., black, bare end	L0.0001986
L5-DT, P.O., blue/silver, bare end	L0.0001987
L5-DT, MAN., black, bare end	L0.0001988
L5-DT, MAN., blue/silver, Schuko (3 m)	L0.0001990
L5-DT, MAN., blue/silver, Edison (7 m)	L0.0001991
L5-DT, MAN., blue/silver, bare end	L0.0001992

Specification subject to change without notice. For the latest product specification including photometric data, see www.arri.com

In case of technical problems, please visit us at www.arri.com, to find the next ARRI service center.

www.arri.com

FCC

This equipment has been tested and found to comply with the limits for a Class A digital device pursuant to Part 15 of FCC Rules. These limits are designed to provide reasonable protection against harmful interference when this equipment is operated in a commercial environment. This equipment generates, uses, and can radiate radio frequency energy and, if not installed and used in accordance with Vari-Lite system, service, and safety guidelines, may cause harmful interference to radio communications. Operation of this equipment in a residential area is likely to cause harmful interference, in which case the user will be required to correct the interference at his/her own expense.

Photometric data

ARRI L5-C

not available yet

ARRI L5-TT

not available yet

ARRI L5-DT

not available yet

ARRI  [®]
