



1005AV Record player



SPECIFICATIONS:

Power Output:	5W
Power Consumption:	12W
Power Source:	A/C adapter
Input:	AC120V~60Hz
Output:	DC12V~1A
Speaker Ohm:	4 Ohm /5W
Speaker Size:	4"
Speaker Quantity:	2 pcs
Speaker:	3" x 5" Dynamic Type x 2
Speed:	331/3 /45 /78 RPM

NOTE: DESIGN AND SPECIFICATION SUBJECT TO CHANGE WITHOUT NOTICE.

WARNING:

TO PREVENT FIRE OR SHOCK HAZARD, DO NOT EXPOSE THIS APPLIANCE TO RAIN OR MOISTURE. DO NOT REMOVE COVER. PILOT LAMPS SOLDERED IN PLACE. NO USER SERVICEABLE PARTS INSIDE. REFER SERVICING TO QUALIFIED SERVICE PERSONNEL.



CAUTION!
RISK OF ELECTRIC SHOCK
DO NOT OPEN



CAUTION:

TO REDUCE THE RISK OF ELECTRICAL SHOCK, DO NOT REMOVE COVER (OR BACK). NO USER - SERVICEABLE PARTS INSIDE. REFER SERVICING TO QUALIFIED PERSONNEL.



The lightning flash with Arrowhead symbol, within an equilateral triangle, is intended to alert user to the presence of uninsulated "dangerous voltage" within the products ensure that may be of sufficient magnitude to constitute of electric shock to persons.



The exclamation point within the equilateral triangle is intended to alert user to the presence of important operating and maintenance (servicing) instruction in the literature accompanying the appliance.



Califone International Inc.
1145 Arroyo Avenue, # A • San Fernando, CA 91340 USA

Toll Free 800-722-0500
International Customers call 818-407-2400 or Fax 818-407-0397
califone.com



1005AV

INSTRUCTION MANUAL

1005AV Record player

POWER SOURCE:

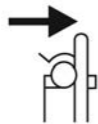
Unwind the A/C power adapter (located in the adapter compartment on back of the unit). Connect the small end of the adapter to the back of the turntable, then the other end to power outlet.

UNPACKING THE TURNTABLE:

1. Carefully remove unit from its package and take it out of the plastic bag.
2. Open lid, remove black tie-wrap by untwisting and gently sliding out from under tone arm.
3. Remove cardboard shipper.
4. Slightly lift up the needle protector below the needle.



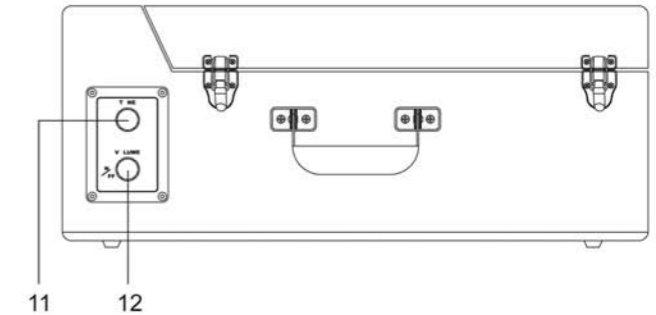
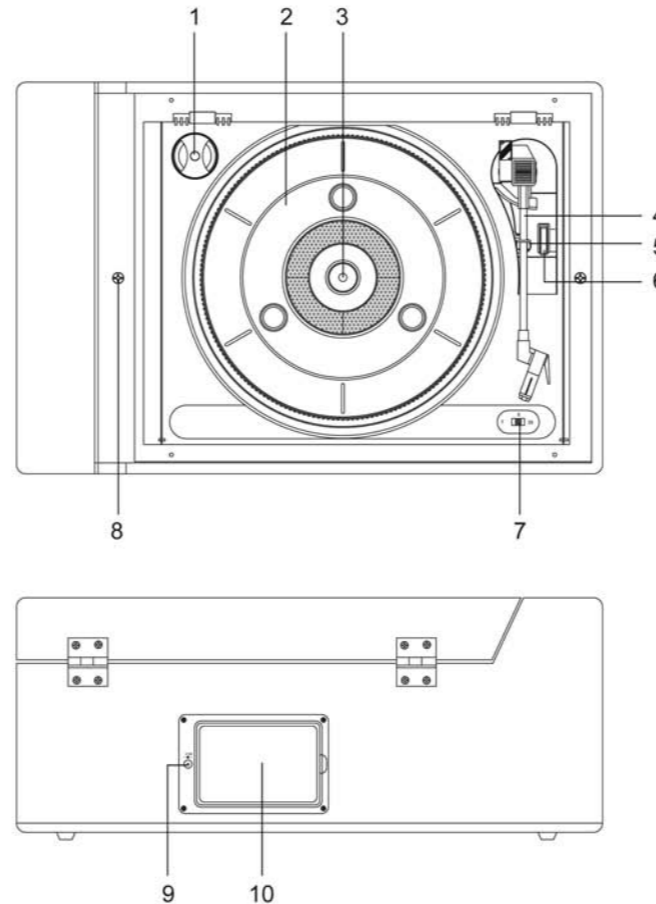
5. Using your fingers, release the two large chrome security screws located on both side turntable platform (2). Do not force it. This allows turntable to float on its shock absorbers.
6. Release tone arm hold down clip by gently pushing to the right. This will unlock tone its arm rest.



Note: Remember to lock the hold down clip(5) and 2 chrome security screws (8) before the unit to another location.

TURNTABLE OPERATION

1. Turn the unit on by turning the ON/OFF VOLUME(12) knob clockwise.
2. Set SPEED CONTROL switch(7) to desired speed (33, 45 or 78 rpm). It located near cue lever.
3. Place a record on the turntable.
4. Use CUE LEVER (6) to raise the tone arm. Move the tone arm by hand out over the and slowly lower it using the cue lever. Readjust the volume to desires level by turning ON/OFF VOLUME (12) knob.
5. At the end of the record, the tone arm will automatically return to its arm rest.
6. Use the TONE control (11) to adjust the sound quality.



LOCATION OF PARTS

1. ADAPTOR FOR 45 rpm RECORDS
2. PLATTER
3. CENTER SPINDLE
4. TONE ARM
5. TONE ARM REST
6. CUE LEVER
7. SPEED SELECT SWITCH
8. SECURITY SCREW
9. ADAPTER JACK
10. ADAPTER COMPARTMENT
11. TONE CONTROL
12. ON/OFF VOLUME KNOB

ACCESSORIES

ADAPTER FOR 45 RPM

To play the 45 rpm record, place the ADAPTOR (1) on the SPINDLE (3).

NEEDLE

Part# 007-1005-00



TROUBLESHOOTING GUIDE

The unit will not operate, try the following tips:

1. Check the unit is properly connected to an A/C outlet.
2. Make certain that the small end of the adapter is plugged into the power