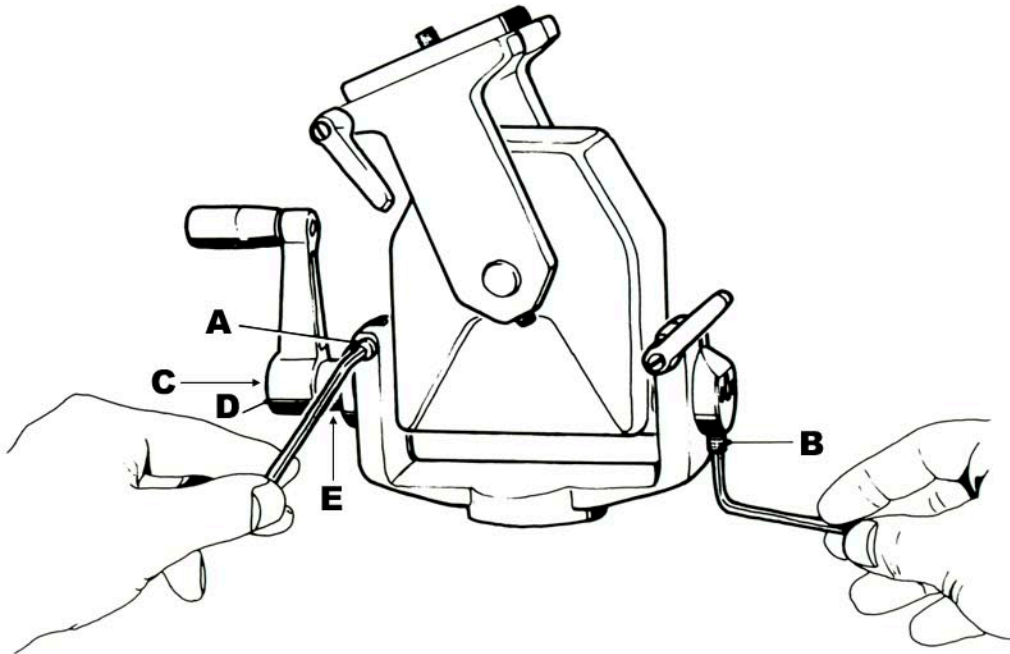


# CAMBO



You have just purchased a CAMBO SCH Geared Head.  
The head was thoroughly tested and inspected.

For the safety of your camera, always mount the camera on  
the table while it is in horizontal position.

Should you find the Swing and/or Tilt movement either too  
tight or too loose you may adjust it by turning the adjustment  
screw A and/or B until the proper tension is obtained.

**CAMBO FOTOGRAFISCHE INDUSTRIE B.V.**

Sie haben jetzt ein CAMBO SCH Stativkopf gekauft.  
Der Stativkopf ist gründlich getestet und geprüft.

Für die Sicherheit Ihrer Kamera sollten Sie immer die Kamera  
montieren auf das Plateau weil es horizontal steht.

Wann die Schwenk- und/oder die Neig-Bewegung zu straff  
oder zu geschmeidig verläuft kann das angepasst werden  
durch Schraube A und/oder B ab zu stellen bis die richtige  
Spannung erreicht ist.

Vous venez d'acquérir une rotule professionnelle CAMBO  
SCH. La rotule a été enherement testée et contrôlée.

Pour la sécurité de votre appareil, montez le lorsque la table  
est en position horizontale.

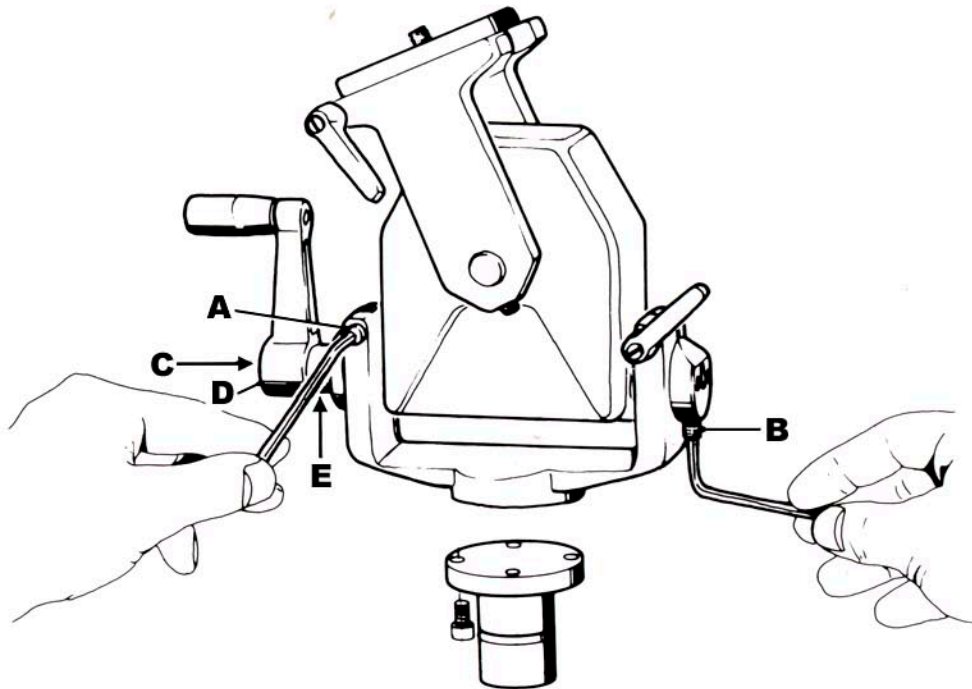
Si vous trouvez que le pivotement avant-arrière et/ou le  
basculement latéral sont trop durs ou trop lâches, vous  
pouvez obtenir la tension souhaitée en tournant les vis  
d'ajustement A et/ou B.

U heeft zojuist een CAMBO SCH statiefkop gekocht.  
Deze is grondig getest en geïnspekteerd.

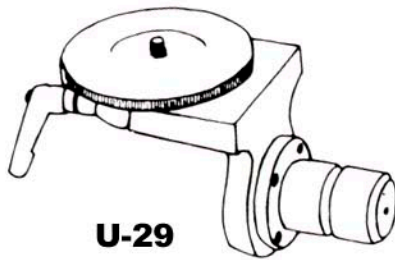
Voor de veiligheid van uw camera dient u altijd de camera op  
het plateau te monteren terwijl het plateau horizontaal staat.

Wanneer u vindt dat de Swing en/of Tilt beweging te strak of  
te soepel verloopt kan dit aangepast worden door schroef A  
en/of B te verdraaien totdat de juiste spanning is verkregen.

# SCH



**U-19**



**U-29**

**fig.20**

## **CAMBO SCH 3-D GEARHEAD** (Fig. 20)

There are two possibilities to use the gearhead on your UST or UBS.

1. In combination with U-19 coupling-unit directly into the cross-arm. This offers a side-tilt of  $180^\circ$  and also the lowest possible camera-position on the cross-arm. If you want to use the gearhead including this U-19, order the complete set as SCH-U. If you have already got the gearhead, you can order the U-19 separately.
2. In combination with U-29 camera-platform. This platform includes a pan-rotating table. For a yaw-free operation of the gearhead/camera combination, the pan-rotation of the camera should be executed by means of the U-29 table instead of the gearhead-table. Side-tilt of the gearhead mounted on the U-29 is  $90^\circ$ .

For the safety of your camera, always mount the camera on the table while it is in horizontal position!

### **ADJUSTMENTS:**

Should you find the tilt and/or side-tilt movement too tight or too loose you may adjust it by turning the adjustment-screw A and/or B until the proper tension is obtained. Screw A = side-tilt, screw B = tilt.

To adjust any tilt-play, remove coverplate C, unscrew hexagonal screw E just a little and tighten hexagonal screw D inside the handle. Tighten screw E and replace coverplate C.