

CARTONI

STABILO – USER'S MANUAL

Thank you for choosing **CARTONI**. The following set-up instructions are for the achievement of best performances. To get optimum results from your **STABILO** tripod, the equipment set up is very important.

1 – Unlock the leg strap (1)



2 – The **CARTONI STABILO** legs can be set at three angle positions: tight (A), medium (B) and wide (C)

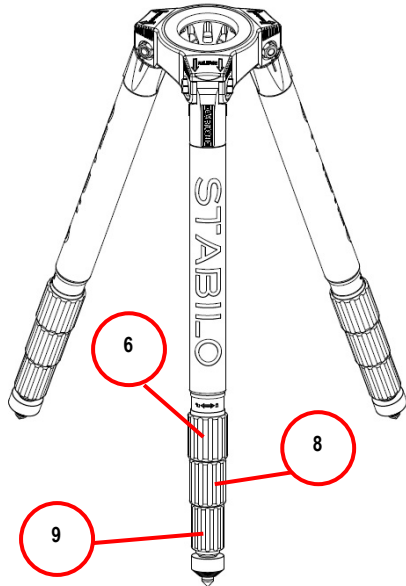


- A) Spread **CARTONI STABILO** legs - without operating the release lever (2) - to set the position to the first red point (3)
- B) Individually for each **CARTONI STABILO** leg: release the lever (2), angle the leg till the notch is between the first (3) and the second red point (4), close the lever (2) in original position and spread the leg to set the position to the second red point (4). Repeat for all the legs
- C) Individually for each **CARTONI STABILO** leg: release the lever (2), angle the leg till the notch is between the second (4) and the third red point (5), close the lever (2) in original position and spread the leg to set the position to the third red point (5). Repeat for all the legs

NOTE: to set the **CARTONI STABILO** legs from a wider angle to a tighter (from position C to B, from position B to A and straight from position C to A), directly close them without operating the release lever (2), till to hear the mechanism lock noise



3 – To set the **CARTONI STABLO** height: individually for each leg, unlock the upper knob (6) counterclockwise to allow the internal tube to slide out and lock it firmly clockwise to open the first stage (see the lock/unlock note (7) on the leg). Repeat for all the legs



4 – Repeat point 3) to open the second and the third **CARTONI STABLO** stages operating the medium (8) and the lower (9) knob and raise the **CARTONI STABLO** height



5 – To set the **CARTONI STABLO** at the Maximum height (11): combine position A) and all the three tripod stages opened; to set the **CARTONI STABLO** at the minimum height (12): combine position C) and no tripod stage opened (fully folded)

6 – To fold the **CARTONI STABLO**: close the legs till to have them in vertical position, unlock all the knobs counterclockwise (see the lock/unlock note (7) on the leg), collapse the tripod in folded position and firmly lock all the knobs clockwise (see the lock/unlock note (7) on the leg)

7 – Completely close the **CARTONI STABLO** legs till the feet meet in the center (10) and fix with the leg strap (1)

