

P180

Portable LED Light

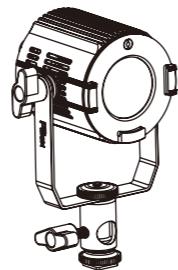
User Manual

Table of Contents

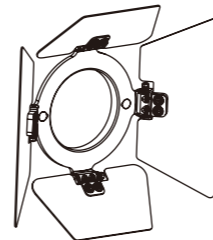
What's In The Box	1
Getting To Know The Light	2
Set Up And Basic Operation	4
Optional Accessories	7
Specifications	8
For Your Safety	9

What's In The Box

- P180 Light with Cold Shoe Mount w/ Stud

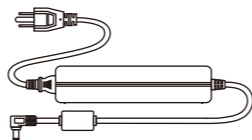


- 4 Leaf Barndoor

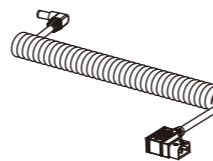


- User Manual

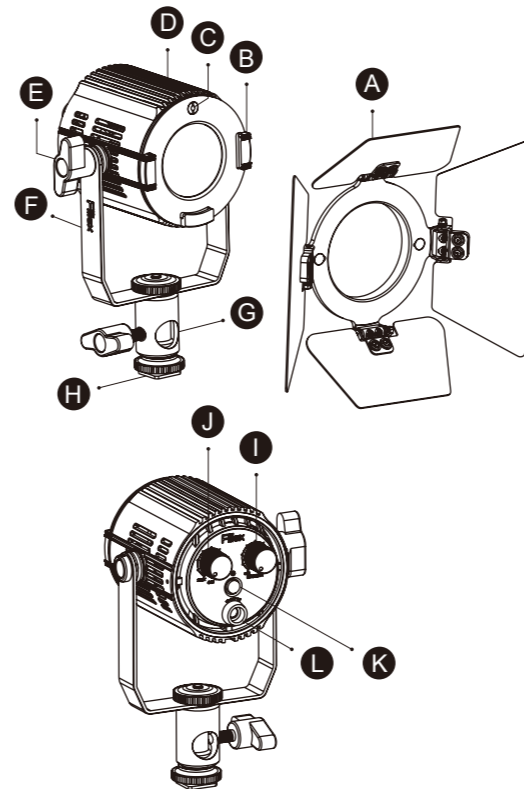
- Power Supply (not included in ENG set)



- D-Tap (included in ENG set)



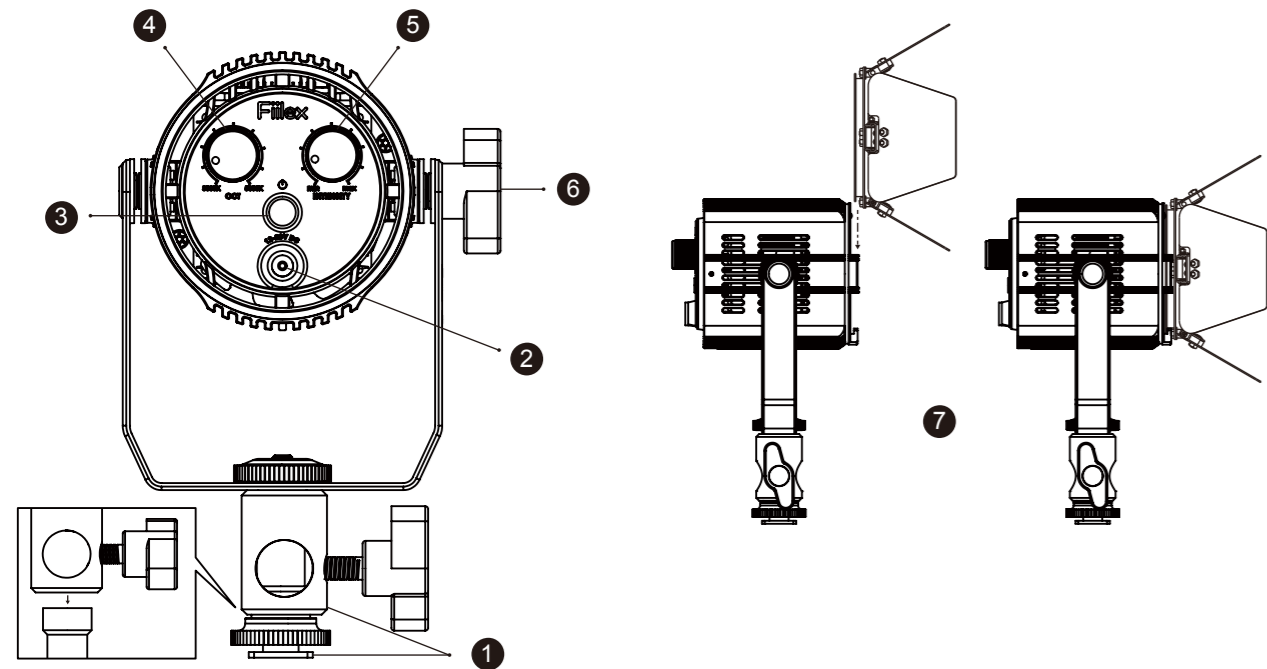
Getting To Know The Light



- A 4 Leaf Barndoor
- B Barndoor Slot
- C Barndoor Fix Ball
- D Air Vents
- E Yoke Knob
- F Yoke
- G Light Stand Adapter
- H Cold Shoe Mount w/ Stud
- I Intensity Knob
- J CCT Knob
- K On/ Off Button
- L DC Power Input Jack



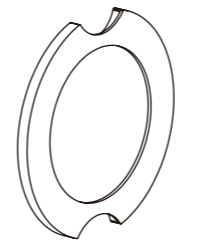
Set Up And Basic Operation



- 1 Mount Light Stand Adapter (G) to stud on light stand, tripod, or Cold Shoe Mount(H).
- 2 Insert the DC Power Plug into DC Power Input Jack (L).
- 3 Press the On/Off Button (K) to power on the P180.
- 4 Adjust the correlated color temperature (CCT) with the CCT Tuning Knob (J).
- 5 Adjust the intensity and dim the light with the Intensity Knob (I).
- 6 Loosen the Yoke Knob (E) to install optional Rain Guard or Umbrella Holder.
- 7 Slide the Barndoor (A) into the Barndoor Slot (B) until it clicks into place.

Optional Accessories

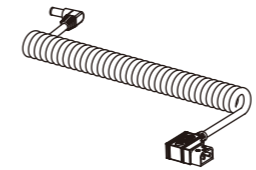
Fresnel Lens



Dome Diffuser



D-tap Cable



Rain Guard

See website for additional accessories. www.fiilex.com

Specifications

Size (without Barndoor)
2.9" x 2.9" x 3.3" / 74.2 x 74.2 x 85mm

Weight (Includes Yoke)
1.2 lb/527g

LED
Dense Matrix LED

Thermal Design
Advanced Vapor Cooling System

CCT Range
Continuous from 3000 - 5600 K

CRI
>90

Power Consumption
40W Max / Comparable in output to 200W Tungsten

Power Input
12 to 24V DC

AC Adapter
100-240VAC, 50-60Hz (In) / 19VDC, 65W Max (Out)

Operating Temperature
-30 to 40 °C

For Your Safety

- Do not attempt to disassemble the body of the P180.
- Do not install or operate the P180 in a damp or wet area without the use of rain guard.
- Do not directly cover the side and/or back air vents. Allow for proper air flow.
- Use only included power supply or optional D-Tap Cable. Failure to do so may cause damage to the LED light.
- Use only a soft, dry towel to gently clean the exterior of light when needed.
- Before powering up for the first time, please remove any or all protective membranes from the light.

Fiilex™
Fiilex.com
1689 Regatta Blvd. Richmond, CA 94804
(510)620-5155 . Fiilex@Fiilex.com

Information and Specifications in this document are subject to change without notice. DiCon Lighting, Inc. assumes no responsibility or liability for any error or inaccuracies that may appear in this manual. Unlawful reproduction or distribution in any manner without the written permission of DiCon Lighting, is strictly prohibited.

© DiCon Lighting 1996-2013 All Rights Reserved