

## Owner's Manual

**Active monitor speaker**

**6301ND/NX/NE/NB**



Thank you for purchasing this Fostex product.  
This manual provides instructions for basic use of the unit.  
Read this before using the unit for the first time.

## ■ WARNINGS and PRECAUTIONS

- **CAUTION:** To prevent electric shock hazard, do not connect to mains power supply while grille is removed.  
**ATTENTION:** Pour éviter tout risque de choc électrique, ne connectez pas l'appareil au secteur quand la grille est retirée.
- **WARNING:** An apparatus with CLASS I construction shall be connected to a MAINS socket outlet with a protective earthing connection.  
**AVIS:** L'appareil de construction de CLASSE I doit être raccordé à une prise SECTEUR dotée d'une protection par mise à la terre.
- **CAUTION:** TO PREVENT ELECTRIC SHOCK, MATCH WIDE BLADE OF PLUG TO WIDE SLOT, FULLY INSERT.  
**ATTENTION:** POUR PREVENIR LES CHOCs ELECTRIQUES, APAR DE LA FENTE LARGE, FOND.
- **WARNING:** To reduce the risk of fire or electric shock, do not expose this apparatus to rain or moisture.  
**AVIS:** Pour réduire le risque d'incendie ou de choc électrique, ne pas exposer cet appareil sous la pluie et l'humidité.
- **CAUTION:** Use of any controls or adjustments or performance of procedures other than those herein specified may result in hazardous radiation exposure.  
**ATTENTION:** L'utilisation de tout contrôle ou de réglages ou de procédures autres que celles indiquées ci-après peut entraîner une exposition à des radiations dangereuses.
- **WARNING:** Changes or modifications to this unit not expressly approved by the party responsible for compliance could void the user's authority to operate the equipment.  
**AVIS:** Les changements ou modifications à cette unité n'étant pas expressément approuvé par la partie responsable de la conformité pourrait annuler l'autorité de l'utilisateur de faire fonctionner l'équipement.
- **WARNING:** Do not place the unit on top of any soft, porous, or sensitive surfaces to avoid damaging the surface. Use a protective barrier between the unit and surface to protect the surface.  
**AVIS:** Ne placez pas l'appareil au-dessus de toutes les surfaces souples, poreux, ou sensibles pour éviter d'endommager la surface. Utilisez une barrière de protection entre l'unité et la surface à protéger la surface.
- **WARNING:** Use of this unit near fluorescent lighting may cause interference regarding use of the remote. If the unit is displaying erratic behavior move away from any fluorescent lighting, as it may be the cause.  
**AVIS:** L'utilisation de cet appareil à proximité d'éclairage fluorescent peut provoquer des interférences sur l'utilisation de la télécommande. Si l'appareil affiche un comportement erratique s'éloigner de tout éclairage fluorescent, telle qu'elle peut être la cause.
- **CAUTION:** Danger of explosion if battery is incorrectly replaced. Replace only with the same or equivalent type.

**ATTENTION:** Danger d'explosion si les piles sont remplacées de façon incorrecte. Remplacer les piles seulement par le même type de pile ou l'équivalent.

- **WARNING:** Do not install this equipment in a confined space such as a book case or similar unit.  
**AVIS:** Ne pas installer cet équipement dans un espace confiné comme une bibliothèque ou une unité similaire.
- **WARNING:** Mains plug is used as disconnect device and it should remain readily operable during intended use. In order to disconnect the apparatus from the mains completely, the mains plug should be disconnected from the mains socket outlet completely.  
**AVIS:** La prise du secteur est utilisé pour déconnecter le système. La prise du secteur ne doit pas être obstruée ou doit être facilement accessible pendant son utilisation. Pour être complètement déconnecté de l'alimentation d'entrée, la prise doit être débranchée du secteur.
- Do not mix old and new batteries. Do not mix alkaline, standard (carbonzinc), or rechargeable (ni-cad, ni-mh, etc) batteries.  
No mezcle baterias viejas y nuevas. No mezcle baterías alcalinas, estándar (carbono-zinc) o recargables (ni-cad, ni-mh, etc).

**CAUTION**  
RISK OF ELECTRIC SHOCK  
DO NOT OPEN

**ATTENTION**  
RISQUE D'ELECTROCUSSION  
NE PAS OUVRIR

**WARNING:** TO REDUCE THE RISK OF ELECTRIC SHOCK, DO NOT REMOVE COVER (OR BACK).  
**AVERTISSEMENT:** POUR RÉDUIRE LE RISQUE DE CHOC ÉLECTRIQUE, NE PAS ENLEVER LE COUVERCLE (NI LE DOS).  
NO USER-SERVICEABLE PARTS INSIDE. REFER SERVICING TO QUALIFIED SERVICE PERSONNEL.  
AUCUNE PIÈCE À L'INTÉRIEUR. ENTRETIEN DE PERSONNEL QUALIFIÉ.



The lightning flash with arrowhead symbol, within an equilateral triangle, is intended to alert the user to the presence of uninsulated "dangerous voltage" within the product's enclosure that may be of sufficient magnitude to constitute a risk of electric shock to persons.  
Le symbole de foudre à pointe dans un triangle équilatéral, est destiné à alerter l'utilisateur de la présence d'une "tension dangereuse" dans le boîtier du produit qui peut être de ampleur suffisante pour constituer un risque d'électrocution aux personnes.

## ■ IMPORTANT SAFETY INSTRUCTIONS

- 1) Read these instructions.  
Lisez ces instructions.
- 2) Keep these instructions.  
Conservez ces instructions.
- 3) Heed all warnings.  
Respectez tous les avertissements.
- 4) Follow all instructions.  
Suivez toutes les instructions.
- 5) Do not use this apparatus near water.  
Ne pas utiliser cet appareil près de l'eau.
- 6) Clean only with dry cloth.  
Nettoyer uniquement avec un chiffon sec.
- 7) Do not block any ventilation openings. Install in accordance with the manufacturer's instructions.  
Ne pas bloquer les ouvertures de ventilation. Installer conformément aux instructions du fabricant.
- 8) Do not install near any heat sources such as radiators, heat registers, stoves, or other apparatus (including amplifiers) that produce heat.  
Ne pas installer près de sources de chaleur telles que radiateurs, registres de chaleur, poêles ou autres appareils (y compris les amplificateurs) produisant de la chaleur.
- 9) Do not defeat the safety purpose of the polarized or grounding-type plug. A polarized plug has two blades with one wider than the other. A grounding type plug has two blades and a third grounding prong. The wide blade or the third prong are provided for your safety. If the provided plug does not fit into your outlet, consult an electrician for replacement of the obsolete outlet.  
Ne détruisez pas la sécurité de la terre ou polarisées - fiche. Une fiche polarisée possède deux lames dont une est plus large que l'autre. Une prise de terre possède deux lames et une broche de terre. La lame large ou la troisième broche sont prévues pour votre sécurité. Si la fiche fournie ne rentre pas dans votre prise, consultez un électricien pour remplacer la prise obsolète.
- 10) Protect the power cord from being walked on or pinched particularly at plugs, convenience receptacles, and the point where they exit from the apparatus.  
Protégez le cordon d'alimentation d'être piétiné ou pincé, particulièrement au niveau des fiches, des prises, et le point où ils sortent de l'appareil.
- 11) Only use attachments/accessories specified by the manufacturer.  
N'utilisez que des accessoires spécifiés par le fabricant.
- 12) Use only with the cart, stand, tripod, bracket, or table specified by the manufacturer, or sold with the apparatus. When a cart is used, use caution when moving the cart/apparatus combination to avoid injury from tipover.  
Utilisez seulement avec la charrette, position, trépied, support ou table spécifiée par le fabricant, ou a vendu avec l'appareil. Lorsqu'une charrette est utilisée, utilisez la prudence quand déplacer la combinaison de charrette / appareil pour éviter la blessure de pointe-sur.
- 13) Unplug this apparatus during lightning storms or when unused for long periods of time.  
Débranchez cet appareil pendant les orages ou lorsqu'il n'est pas utilisé pendant de longues périodes de temps.
- 14) Refer all servicing to qualified service personnel. Servicing is required when the apparatus has been damaged in any way, such as power supply cord or plug is damaged, liquid has been spilled or objects have fallen into the apparatus, the apparatus has been exposed to rain or moisture, does not operate normally, or has been dropped.  
Confiez toute réparation à un personnel qualifié. Une réparation est nécessaire lorsque l'appareil a été endommagé de quelque façon que ce cordon d'alimentation ou la fiche est endommagé, liquide a été renversé ou des objets sont tombés dans l'appareil, l'appareil a été exposé à la pluie ou à l'humidité, ne fonctionne pas normalement, ou s'il est tombé.
- 15) The apparatus shall be used in an open area.  
Cet appareil doit être utilisé dans un endroit à aire ouverte.
- 16) Apparatus shall not be exposed to dripping or splashing and that no objects filled with liquids, such as vases, shall be placed on apparatus.  
L'appareil ne doit pas élaboussures et aucun objet ne contenant de liquide, tel qu'un vase, ne doit être placé sur l'objet.
- 17) Mains plug is used as disconnect device. It shall remain readily operable and should not be obstructed during intended use. To completely disconnect the apparatus from supply mains, the main plug of the apparatus shall be disconnected from the mains socket outlet completely.  
La prise du secteur et utilisé pou déconnecter le système. La prise du secteur ne doit pas être obstruée ou doit être facilement accessible pendant son utilisation. Pour être complètement déconnecté de l'alimentation d'entrée, la prise doit être débranchée du secteur.



# Introduction

The 6301N series are small monitors with built-in amplifiers for various kinds of monitoring.

## ■ Features of 6301ND/NX/NE/NB

- The cone-shaped, full-range speaker produces stable sound.
- As the speaker is compact and consists of a single unit, it can be placed anywhere.
- The speaker uses a tough, aluminum die cast enclosure.
- The speaker has the same width and height as the older model, so upgrading is easy.
- Switches and knobs do not protrude from the panel to prevent damage caused if the speaker falls over.
- Equipped with a switching power circuit compatible with 100 V to 240 V AC power supplies.
- By attaching wall mounting bracket EB-6301 (sold separately) to the unit, you can both adjust the angle of the unit and fix it to walls.
- The unit has an auto standby function that saves power automatically (power consumption of 0.5 W or less) when input continuously falls below a certain level.

## ■ Comparison of the different models

	Input	Output
<b>6301ND</b>	Digital (AES/EBU)/XLR Analog (unbalanced)/phone	THRU (AES/EBU) /XLR
<b>6301NX</b>	Analog (transformer type balanced)/XLR Analog (unbalanced)/phone	—
<b>6301NE</b>	Analog (electronic type balanced)/XLR Analog (unbalanced)/phone	—
<b>6301NB</b>	Analog (unbalanced)/phone	—

## ■ Accessories

- Power cord × 1
- Owner's manual (this manual) × 1

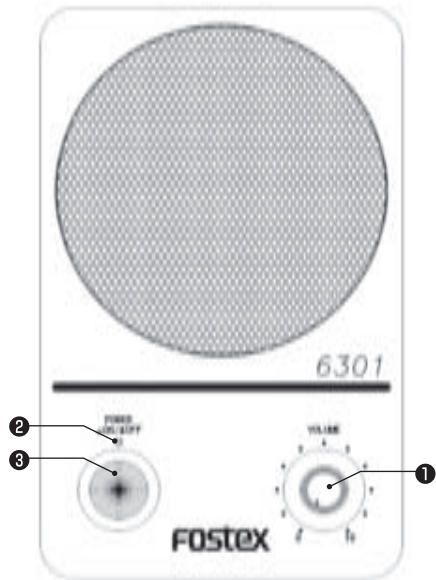
# Part names and functions

## ■ Front (same for 6301ND/NX/NE/NB)

- 1 **[VOLUME]**  
Adjusts the volume.
- 2 **[POWER] indicator**  
Lights to indicate the state of the unit.
- 3 **[ON/OFF] button**  
Turns the unit on/off.

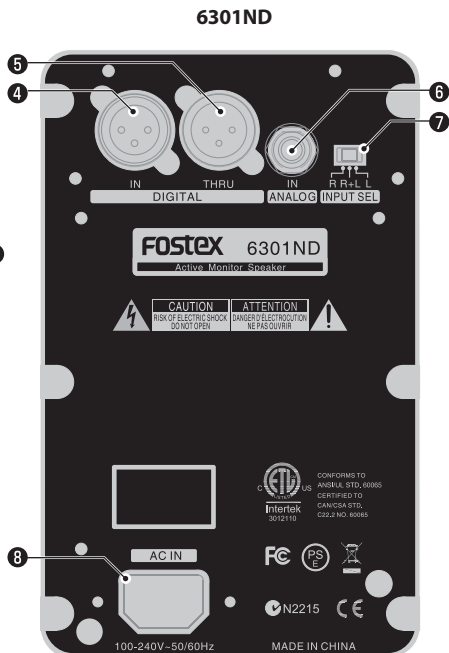
### Note

- Use a standard AC outlet.
- Disconnect the plug from the outlet when the unit will not be used for a long time.



## ■ Back

- 4 **[DIGITAL IN] terminal**  
AES/EBU-compliant digital input terminal.
- 5 **[DIGITAL THRU] terminal**  
Directly outputs the signal from the [DIGITAL IN] terminal.
- 6 **Analog input terminal (phone)**  
φ6.3 mm (1/4") TS phone unbalanced analog input terminal.  
Inputs connected to the analog input terminal 6 are prioritized over inputs to other terminals.  
6301ND: [ANALOG IN]  
6301NX/NE: [INPUT UNBALANCED]  
6301NB: [INPUT]



**7 [INPUT SEL] switch**

Used to select the type of analog signal that the digital signal is transformed into. Choose between left and right (R+L), left only (L), and right only (R).

**8 [AC IN] terminal**

Used to connect to a power outlet using the supplied power cord.

**9 [INPUT BALANCED] terminal**

XLR balanced analog input terminal. 6301NX uses a transformer type balanced system, and 6301NE uses an electronic type balanced system.



(The unit pictured above is 6301NX.)

**6301NB**



### The [POWER] indicator

- 6301ND

Unlit: The power is off

Lit in green: A device is connected to the [DIGITAL IN] terminal and the digital signal is locked

Lit in orange: A plug is inserted in the analog input terminal (phone)

Lit in red: In standby

#### Note

---

---

- When a plug is inserted in the analog input terminal (phone), the indicator lights in orange whether anything is connected to the [DIGITAL IN] terminal or not.
- 
- 

- 6301NX/NE/NB

Unlit: The power is off

Lit in green: The power is on

Lit in red: In standby

### The auto standby function

When input to the unit continues below a certain level for approximately 25 minutes, the auto standby function is activated, and power consumption is reduced to 0.5 W or below. If input then exceeds a certain level, the unit reverts to its normal state. The auto standby function may not function normally depending on the noise level of devices connected to the input terminals on the unit.

#### Note

---

---

- When a device is only connected to the [DIGITAL IN] terminal, the unit goes into standby unless the digital signal is locked.
  - Even if the digital signal is locked, the unit goes into standby when input continues below a certain level for about 25 minutes.
- 
-

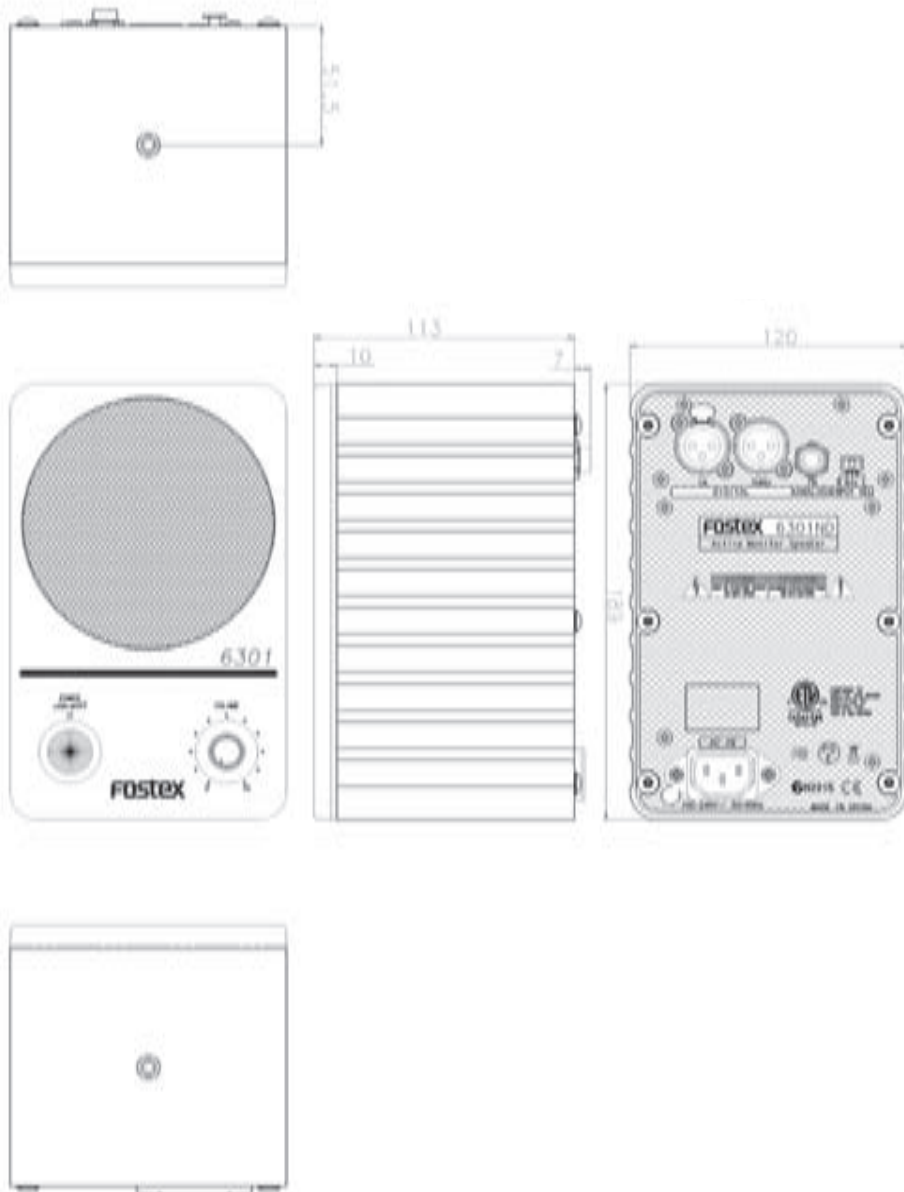
# Troubleshooting

Problem	Solutions
There is no sound.	<ul style="list-style-type: none"> <li>• Check the connection. (⇒ page 4, page 5, page 6)</li> <li>• Check the set volume of each device.</li> </ul>

# Specifications

	6301ND	6301NX	6301NE	6301NB
<b>Type</b>	Sealed powered speaker system			
<b>Speaker</b>	100 mm cone-shaped, full-range speaker × 1			
<b>Frequency band</b>	70 Hz to 15 kHz			
<b>Output sound pressure level</b>	85 dB/W (1 m)			
<b>Maximum output sound pressure level</b>	98 dB			
<b>Rated output</b>	20 W			
<b>T. H. D.</b>	0.05% (at 1 kHz 1 W output)			
<b>Input terminal</b>	Analog unbalanced/φ6.3 mm (1/4") TS phone			
	Digital XLR-3-31 type IEC60958 (AES/EBU) sampling frequency 44.1 kHz to 96 kHz	Analog balanced XLR-3-31 type HOT No. 2/ transformer type	Analog balanced XLR-3-31 type HOT No. 2/ electronic type	—
<b>Output terminal (THRU)</b>	Digital XLR-3-32 type	—		
<b>Input impedance</b>	Analog input (balanced/unbalanced) 10 kΩ or more			
<b>Input sensitivity</b>	Analog (unbalanced): -14 dBV (0.2 Vrms) Digital: -12 dBFS	Analog (unbalanced): -14 dBV (0.2 Vrms) Analog (balanced): +4 dBu (1.2 Vrms)	Analog (unbalanced): -14 dBV (0.2 Vrms)	
<b>Residual noise</b>	-65 dBV	-70 dBV		
<b>Enclosure material</b>	Aluminum die-casting			
<b>Power consumption</b>	10 W			
<b>External dimensions (mm)</b>	120 (W) × 189 (H) × 120 (D)			
<b>Weight</b>	Approx. 2.3 kg			
<b>Length of the power cord</b>	Approx. 2 m			

# Dimensional drawings



(6301ND is pictured above, but the external dimensions are the same for each model.)



# Optional accessory

By attaching a wall fitting angle (sold separately) to the unit, you can adjust the angle of the unit and fix the unit to walls.

## Wall fitting angle EB-6301



### CAUTION



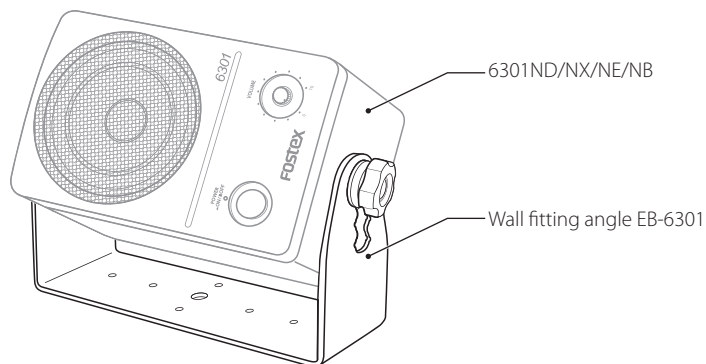
Ask a professional to fix the unit to a wall using the bracket.

Fostex is not responsible for accidents and casualties caused by using the bracket.



When you attach the unit to the bracket, attach it firmly using the screws supplied with EB-6301.

Otherwise the unit may fall and cause accidents leading to injuries and damage.



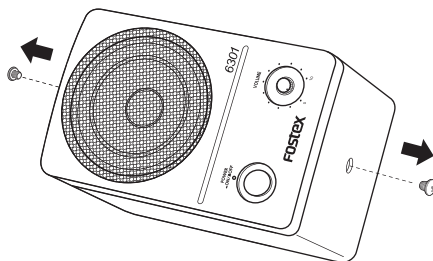
## Specifications

External dimensions (mm)	200 (W) × 75 (H) × 148 (D)
Weight	850 g

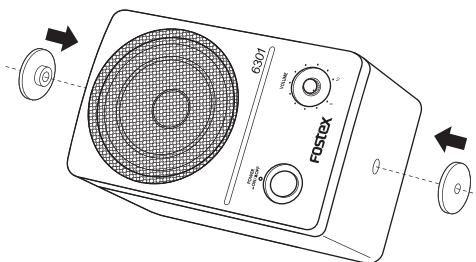


## ■ Attaching EB-6301

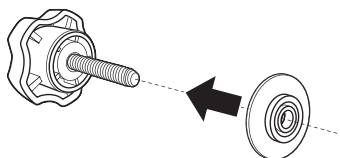
- 1 Remove the screws on the top and bottom of the 6301N series.



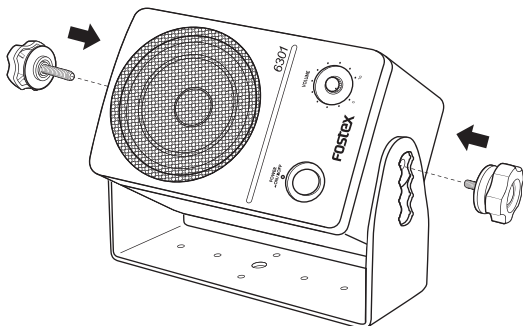
- 2 Attach the rubber washers (with no grooves) to the top and bottom of the unit.



- 3 Fit the rubber washers (with grooves) onto the mounting screws.



- 4 Adjust the unit to your preferred position in the bracket, then attach and tighten the mounting screws prepared in step 3.



# Declaration of EC Directive

This equipment is compatible with the EMC Directive (2004/108/EC) - Directive on approximation of member nation's ordinance concerning the electromagnetic compatibility and with the Low Voltage Directive (73/23/EEC) - Directive on approximation of member nation's ordinance concerning electric equipment designed to be used within the specified voltage range.

## The Affect of Immunity on This Equipment

The affect of the European Specification EN61000-6-1 (coexistence of electromagnetic waves - common immunity specification) on this equipment are as shown below.

In the electrical fast transient/burst requirements, surge, conducted disturbances by radio-frequency fields, power frequency magnetic field, radiate electromagnetic field requirements and static electricity discharging environment, this could be affected by generation of noise in some cases.

## FOSTEX DISTRIBUTORS LIST IN EUROPE

\* Including non-EU countries (as of Jan. 2014)

<b>Austria</b> NAME: Mega Audio GmbH ADD: Stromberger Str. 32, 55411 Bingen, Germany TEL: (+49) 6721-94330, FAX: (+49) 6721-32046 Email: info@megaaudio.de Web Site: <a href="http://www.megaaudio.de">http://www.megaaudio.de</a>	<b>Greece</b> NAME: Bon Studio S.A ADD: 6 Zaimi Street, Exarchia, 106.83 Athens, Greece TEL: (+30) 210-3809-605, 606, 607, 608 FAX: (+30) 210-3845-755, 210-3827-868 Email: bon@bonstudio.gr Web Site: <a href="http://www.bonstudio.gr">http://www.bonstudio.gr</a>	<b>Russia</b> NAME: MS-MAX ADD: Entrance 128, Kutuzovskiy prospekt, 30/32, 121165, Moscow, Russia TEL: (+7) 495-234-0006, FAX: (+7) 495-249-8034 Email: office@ms-max.ru Web Site: <a href="http://www.ms-max.ru">http://www.ms-max.ru</a>
<b>Belgium</b> NAME: XLR sprl/bvba ADD: Pierre Strauvenstraat 24, 1020 Brussels, Belgium TEL: (+32) 2 520 0827, FAX: (+32) 2 521 1977 Email: info@xlpro.be Web Site: <a href="http://www.xlpro.be">http://www.xlpro.be</a>	<b>Hungary</b> NAME: Mega Audio GmbH ADD: Stromberger Str. 32, 55411 Bingen, Germany TEL: (+49) 6721-94330, FAX: (+49) 6721-32046 Email: info@megaaudio.de Web Site: <a href="http://www.megaaudio.de">http://www.megaaudio.de</a>	<b>Spain &amp; Portugal</b> NAME: ATCONSUMER (Consumer, Hi-Fi system & Speaker Components) ADD: PO BOX 15, 08340 Vilassar de Mar, Barcelona, Spain TEL: (+34) 609 288310 Email: info@atconsumer.es Web Site: <a href="http://www.atconsumer.es">http://www.atconsumer.es</a>
<b>Czech</b> NAME: Praha Music Center spol s.r.o. ADD: Ocelarska 937/39, Praha 9, 190 00, Czech TEL: (+420) 226-011-111, FAX: (+420) 226-011-112 Email: info@pmc.cz Web Site: <a href="http://www.pmc.cz">http://www.pmc.cz</a>	<b>Italy</b> NAME: Backline S.u.r.l. ADD: Via dell'Aprica, 16 - 20158 Milano, Italy TEL: (+39) 02 6901 5709, FAX: (+39) 02 6901 5645 Email: info@backline.it Web Site: <a href="http://www.backline.it">http://www.backline.it</a>	<b>Spain</b> NAME: Letusa (Pro Audio Products Only) ADD: P/Laguna No.10, Poligono Industrial Urtinsa, 28923 Alcorcon, Madrid, Spain TEL: (+34) 91-4862800, FAX: (+34) 91-6414597 Email: info@letusa.es Web Site: <a href="http://www.letusa.es">http://www.letusa.es</a>
<b>Denmark</b> NAME: SC Sound A/S ADD: Dalgas Alle 15, DK-6600 Vejen, Denmark TEL: (+45) 4399 8877, FAX: (+45) 4399 8077 Email: mail@sc-sound.dk Web Site: <a href="http://www.sc-sound.dk">http://www.sc-sound.dk</a>	<b>Italy</b> NAME: Art of Music sas (Hi-Fi system & Speaker Components) ADD: Via Dal Lino 23/2, 40134 Bologna, Italy TEL: (+39) 347 2532215 Email: artofmusic@libero.it Web Site: <a href="http://www.ballocaoustics.it">http://www.ballocaoustics.it</a>	<b>Sweden</b> NAME: Benum Nordic AS ADD: Aldermansvagen 17, 171 48 Solna, Sweden TEL: (+46) 8 207710 Email: sweden@benum.com Web Site: <a href="http://www.benum.se">http://www.benum.se</a>
<b>Finland</b> NAME: Noretron Oy Audio ADD: Mankkaantie 32, FIN-02180 ESPOO, Finland TEL: (+358) 10-525-8000, FAX: (+358) 10-525-8010 Web Site: <a href="http://www.noretron.fi">http://www.noretron.fi</a>	<b>The Netherlands</b> NAME: Iemke Roos Audio B.V. ADD: Kuiperbergweg 20, 1101 AG Amsterdam, The Netherlands TEL: (+31) 20-697-2121, FAX: (+31) 20-697-4201 Email: sales@iemkeroos.nl Web Site: <a href="http://www.iemkeroos.nl">http://www.iemkeroos.nl</a>	<b>Sweden, Norway, Finland &amp; Denmark</b> NAME: Supersonic Svenska AB (Speaker Components Only) ADD: PO BOX 42043, 126 12 Stockholm, Sweden TEL: (+46) 8 744 4700 Email: johan@supersonic.se
<b>France</b> NAME: Sennheiser France ADD: 128 bis, avenue Jean-Jaures, 94851 Ivry-sur-Seine Cedex, France TEL: (+33) 1 4987 0300, FAX: (+33) 1 4987 0324 Web Site: <a href="http://www.sennheiser.fr">http://www.sennheiser.fr</a>	<b>Norway</b> NAME: Siv. Ing. Benum AS ADD: P.O. Box 145, Vinderen, 0319 Oslo, Norway TEL: (+47) 2213 9900, FAX: (+47) 2214 8259 Email: post@benum.no Web Site: <a href="http://www.benum.no">http://www.benum.no</a>	<b>Switzerland</b> NAME: Audio Bauer Pro AG ADD: Bernerstrasse-Nord 182, CH-8064 Zurich, Switzerland TEL: (+41) 44 432 3230, FAX: (+41) 44 432 6558 Email: info@audio-bauerpro.ch Web Site: <a href="http://www.audio-bauerpro.ch">http://www.audio-bauerpro.ch</a>
<b>France</b> NAME: Selectronic (Speaker Components Only) ADD: Zac de L'Oree du Golf, 16 rue Jules Verne, 59790 Ronchin, France TEL: (+33) 328 550 328, FAX: (+33) 328 550 329 Email: contact@selectronic.fr	<b>Poland</b> NAME: Mega Music Spolka z o.o ADD: Ul. Lesna 15, 81-876 Sopot, Poland TEL: (+48) 58-551-18-82, FAX: (+48) 58-551-18-72 Email: pro@megamusic.pl Web Site: <a href="http://pro.megamusic.pl">http://pro.megamusic.pl</a>	<b>Turkey</b> NAME: Radikal Elektronik Ltd. Sti. ADD: Ihlamur-Yildiz Cad, Kessaf Sok. 4/12 Besiktas, Istanbul 34353, Turkey TEL: (+90) (212) 259 7971, FAX: (+90) (212) 259 7993 Email: radikal@radikaltr.com Web Site: <a href="http://www.radikaltr.com">http://www.radikaltr.com</a>
<b>France</b> NAME: Hamy Sound (Headphones and USB DAC Only) ADD: 28 Rue Edith Cavell, 92400 Courvevoie, France TEL: (+33) 1 4788 4702, FAX: (+33) 1 4789 4872 Email: sav@hamysound.com Web Site: <a href="http://www.hamysound.com">http://www.hamysound.com</a>	<b>Portugal</b> NAME: Letusa (Pro Audio Products Only) ADD: C/Laguna No.10, Poligono Industrial Urtinsa, 28923 Alcorcon, Madrid, Spain TEL: (+34) 91-4862800, FAX: (+34) 91-6414597 Email: info@letusa.es Web Site: <a href="http://www.letusa.es">http://www.letusa.es</a>	<b>UK</b> NAME: SCV London ADD: Unit C1 Belton Industrial Estate, Geddings Road, Hodesdon, Hertfordshire, EN11 0NT, UK TEL: (+44) 03 301 222500, FAX: (+44) 20-8418-0624 Email: fostex@scvlondon.co.uk Web Site: <a href="http://www.scvlondon.co.uk">http://www.scvlondon.co.uk</a>
<b>Germany</b> NAME: Mega Audio GmbH ADD: Stromberger Str. 32, 55411 Bingen, Germany TEL: (+49) 6721-94330, FAX: (+49) 6721-32046 Email: info@megaaudio.de Web Site: <a href="http://www.megaaudio.de">http://www.megaaudio.de</a>		<b>Ukraine</b> NAME: A & T Trade Petrosnop ADD: 29 Obolonskaya Str., Kiev, Ukraine 04071 TEL: (+380) 44-462-5358, FAX: (+380) 44-462-5092 Email: atrade@attrade.kiev.ua Web Site: <a href="http://kiev.attrade.ru">http://kiev.attrade.ru</a>

# Fostex

## FOSTEX CO.

1-1-109, Tsutsujigaoka, Akishima City, Tokyo, 196-8550, Japan