

ECD

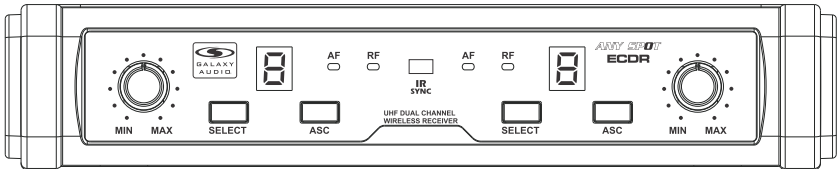
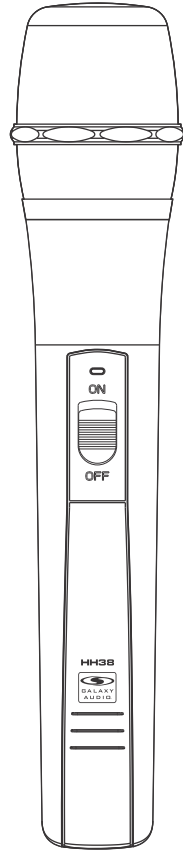
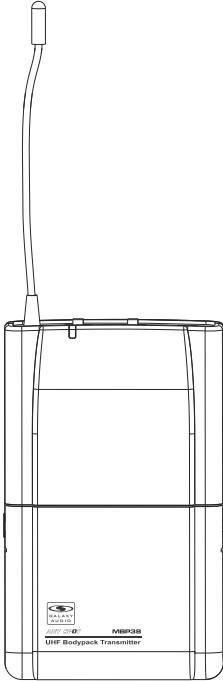
UHF



USER'S MANUAL

ANY SPOT[®]

**WIRELESS MICROPHONE SYSTEM
DUAL CHANNEL SYSTEM**



**MAKERS OF THE ORIGINAL
HOT SPOT PERSONAL MONITOR**

Table of Contents

| | |
|---|---|
| System Components | 1 |
| Functions of the ECDR Receiver | 2 |
| HH38 Handheld Transmitter | 3 |
| MBP38 Bodypack Transmitter | 4 |
| Tips for Improving System Performance | 5 |
| Frequency | 6 |
| Specifications | 7 |

! IMPORTANT SAFETY INSTRUCTIONS !

1. READ these instructions.
2. KEEP these instructions.
3. HEED all warnings.
4. FOLLOW all instructions.
5. DO NOT use this apparatus near water.
6. CLEAN ONLY with dry cloth.
7. DO NOT block any ventilation openings. Install in accordance with the manufacturer's instructions.
8. DO NOT install near any heat sources such as radiators, heat registers, stoves, or other apparatus (including amplifiers) that produce heat.
9. DO NOT defeat the safety purpose of the polarized or grounding-type plug. A polarized plug has two blades with one wider than the other. A grounding type plug has two blades and a third grounding prong. The wider blade or the third prong are provided for your safety. If the provided plug does not fit into your outlet, consult an electrician for replacement of the obsolete outlet.
10. PROTECT the power cord from being walked on or pinched, particularly at plugs, convenience receptacles, and the point where they exit from the apparatus.
11. ONLY USE attachments/accessories specified by the manufacturer.
12. UNPLUG this apparatus during lightning storms or when unused for long periods of time.
13. REFER all servicing to qualified service personnel. Servicing is required when the apparatus has been damaged in any way, such as power-supply cord or plug is damaged, liquid has been spilled or objects have fallen into the apparatus, the apparatus has been exposed to rain or moisture, does not operate normally, or has been dropped.
14. DO NOT expose the apparatus to dripping and splashing. DO NOT put objects filled with liquids, such as vases, on the apparatus.
15. Remove the batteries from the receiver if the system will not be used for a long period of time. This will avoid any damage resulting from a defective, leaking battery.
16. DO NOT throw used batteries into a fire. Be sure to dispose of or recycle used batteries in accordance with local waste disposal laws.

LICENSING INFORMATION

THIS RADIO EQUIPMENT IS INTENDED FOR USE IN PROFESSIONAL ENTERTAINMENT AND SIMILAR APPLICATIONS.

Changes or modifications not expressly approved by Galaxy Audio Incorporated could void your authority to operate the equipment.

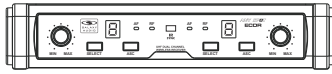
Licensing of Galaxy Audio wireless microphone equipment is the user's responsibility, and licensability depends on the user's classification and application, and on the selected frequency. Galaxy Audio strongly urges the user to contact the appropriate telecommunications authority concerning proper licensing, and before choosing and ordering frequencies.

NOTE: THIS EQUIPMENT MAY BE CAPABLE OF OPERATING ON SOME FREQUENCIES NOT AUTHORIZED IN YOUR REGION. PLEASE CONTACT YOUR NATIONAL AUTHORITY TO OBTAIN INFORMATION ON AUTHORIZED FREQUENCIES FOR WIRELESS MICROPHONE PRODUCTS IN YOUR REGION

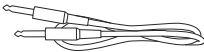
Licensing: Note that a ministerial license to operate this equipment may be required in certain areas. Consult your national authority for possible requirements.

All ECD systems include the following components:

ECD Receiver
1/4" to 1/4" Audio Cable
Power Adapter
User Manual



ECDR



**1/4" to 1/4"
Audio Cable**



**PS-13.5-.35.5
Power
Adaptor**



Manual

Handheld Microphone Systems
include the following:

HH38 Handheld Transmitter



HH38

Headset, Lavalier, & Guitar systems
include the following:

MBP38 Bodypack Transmitter

Microphone (choice of Headset, Lavalier, or Guitar Cable)



MBP38



HS13-UBK



LV13-UBK



A5-GTRVE

**Replacement parts can be purchased
at www.GalaxyAudio.com**



CLIPMBP38
Belt Clip
for MBP38



BATTVRMBP38
Battery Cover
for MBP38



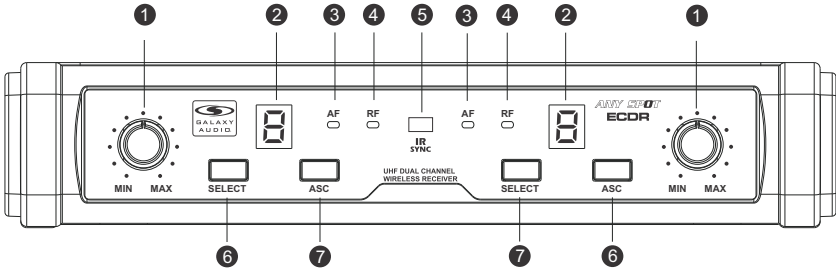
BATTVRHH38
Battery Cover
for HH38



WS-GR38
Mesh Grill Cover
for HH38

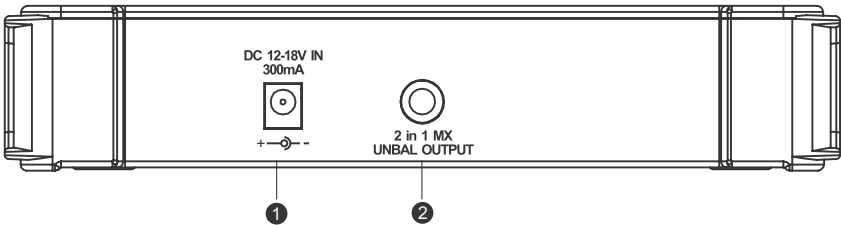
Functions of the ECDR Receiver

Front Panel



- ① Audio Output Level Control
- ② Channel display
- ③ AF Signal LED
- ④ RF signal LED
- ⑤ Infrared IR Window
- ⑥ Channel select button
- ⑦ Automatic Synchronization Control (ASC) button

Rear Panel



- ① Power Adapter Jack.
- ② 1/4" Audio Output (mixed).

System Setup



Receiver Programming

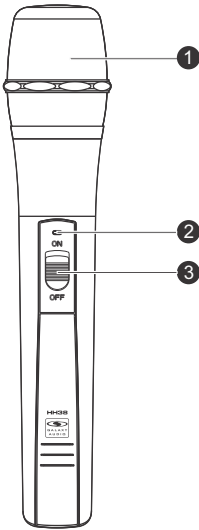
Channel Selection: Press the ⑥ "SELECT" button to increase the ② channel number by one (0-9, then A-F). * Press the ⑦ ASC button, and the Channel Display will begin to flash. Hold the transmitter's (HH38 or MBP38) IR window towards and in close proximity less than 1.5 ft. to the ECD receiver's ⑤ IR window. The ECD receiver's ④ RF Signal LED will light once synchronization has been established. Only one IR connection can be established at a time during each syncing process.

***Note:** If the RF light on the receiver is on when the transmitter is off, change to another channel.

Receiver volume control:

Rotate the audio output level control knob to the left to reduce the output level, rotate to the right to increase the output level.

HH38 Handheld Transmitter

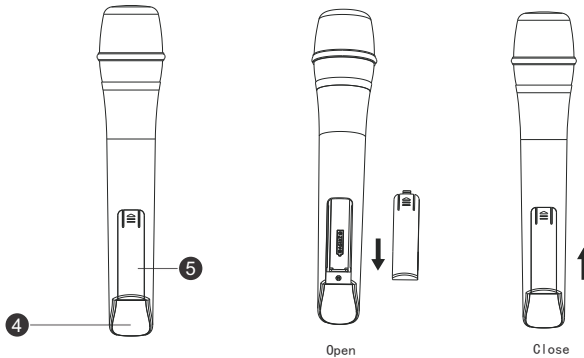


Functions:

- 1 Microphone Head.
- 2 Power LED and LOW battery indicator (red = Low battery)
- 3 Power Switch
- 4 Infrared receiver (IR) window
- 5 Battery cover

Changing Batteries:

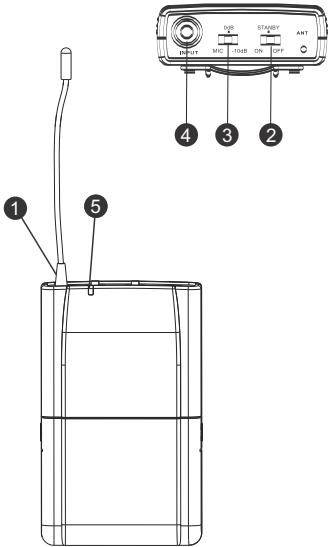
Expected life for two alkaline batteries is about 8 hours. If the power LED (green) turns red then the batteries are low and should be changed immediately (as shown below).



Handheld Transmitter Setup:

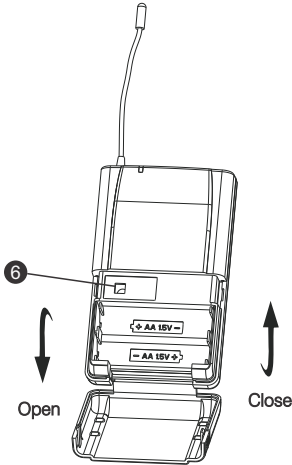
The HH38 will need to be powered off and on again during the syncing process in order to properly sync. An amber power light on the HH38 indicates that it is ready to receive the IR signal from the receiver.

MBP38 Bodypack Transmitter



Functions:

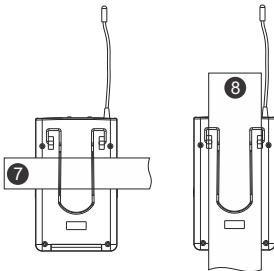
- 1 Antenna.
- 2 On/Off/Mute switch
- 3 Gain adjustment switch
Three gain settings are available on the Bodypack Transmitter (choose the appropriate setting)
Mic: microphone
0: Guitar with passive pickups
-10dB: Guitar with active pickups
- 4 Microphone Input Jack
- 5 Power/Low battery indicator light. If the Power light glows a constant red, the batteries should be changed immediately.
- 6 Infrared receiver (IR) window.



Battery Replacement:

When the transmitter light glows red, the batteries should be changed immediately, as shown on the left. Open the Battery Door as shown. Install Batteries while observing correct polarity markings.

The life expectancy of two alkaline batteries is about 8 hours.



Wearing the Bodypack Transmitter:

Clip the transmitter to belt (7), or slide a guitar strap through the transmitter clip (8), as shown. For best results, slide the transmitter until the belt (7) is pressed against the base of the clip.

Tips for Improving System Performance

- Maintain a line of sight between transmitter and antenna.
- Avoid placing the receiver near metal surfaces or any digital equipment (CD players, computes, etc)
- Keep the receiver away from the wall and over 3ft. from the ground
- Cellular telephones, two-way radios and other RF sources can interfere with the transmitting frequencies. Maintain the greatest distance possible from the interfering equipment to minimize interference.

Trouble Shooting

| Issue | Indicator Status | Solution |
|---|--|---|
| No sound or faint sound | Not Transmitting | Turn on transmitter, Make sure the +/- indicator on the batteries match the transmitter terminals |
| | Not Receiving | Make sure the AC adapter is securely plugged into electrical outlet and into DC input connector on rear panel of receiver. |
| | Receiver RF indicator glows | Turn up the receiver's Audio Output level Control up, adjust the Gain switch on the transmitter, Check the power connection of the receiver and amplifier or mixer |
| | Receiver RF indicator off, transmitter on | Move the receiver away from metal objects, Check whether there is an obstruction between receiver and transmitter, Move the transmitter near the receiver, Re-Sync receiver and transmitter to the same frequency |
| | The battery power indicator light flashes or turns RED | Change the batteries the in transmitter |
| Distortion or unwanted noise bursts | Receiver display indicates RF/AF | Remove nearby sources of RF interference (CD players, computers, digital effects, in-ear monitor systems, etc.) |
| Distortion level increases gradually | Transmitter power indicator light flashing | Replace transmitter batteries |
| Sound level different from cabled guitar or microphone, or when using different guitars | | Adjust transmitter gain and receiver volume as necessary |

ECD Frequency Chart

| D-Band | |
|---------------|----------------|
| 1 | 584.400 |
| 2 | 587.500 |
| 3 | 589.575 |
| 4 | 591.050 |
| 5 | 593.425 |
| 6 | 595.200 |
| 7 | 598.450 |
| 8 | 599.650 |
| 9 | 601.275 |
| 10 | 603.775 |
| 11 | 605.500 |
| 12 | 606.750 |
| 13 | 586.025 |
| 14 | 590.525 |
| 15 | 594.150 |
| 16 | 602.450 |

| L-Band | |
|---------------|----------------|
| 1 | 655.200 |
| 2 | 656.675 |
| 3 | 658.500 |
| 4 | 660.050 |
| 5 | 661.500 |
| 6 | 662.900 |
| 7 | 664.425 |
| 8 | 666.500 |
| 9 | 667.800 |
| 10 | 669.225 |
| 11 | 670.800 |
| 12 | 672.275 |
| 13 | 673.725 |
| 14 | 675.075 |
| 15 | 676.500 |
| 16 | 678.600 |

System

Available Channels: 16
Frequency Range: CODE D 584~607 MHz
CODE L 655~679MHz

Transmitter Output level: 10 dBm

Band: UHF

Operating Range Under Typical

Conditions: 150' (50m)

Note: actual range depends on RF signal absorption, reflection, and interference.

Audio Frequency Response: (+/-3dB)
60Hz~16kHz

Total Harmonic Distortion (+/-30kHz deviation, 1kHz tone): <1%

Dynamic Range: >90dB A-weighted

Operating Temperature Range:
14°F to 122°F (-10° C to +50° C)

Note: battery characteristics may limit this range

Bodypack Transmitter:

Audio Input Level:

0 dBV to +20dBV

Gain Adjustment Range: 30dB

Input Impedance: 5kΩ

Dimensions: 3.3" x 2.6" x 1"
(85mm H x 65mm W x 23mm D)

Weight: 2.8oz (80g) (without batteries)

Power Requirements:

2 AA Batteries, alkaline or rechargeable

Battery Life:

About 8 hours

Handheld Transmitter:

Dimensions: 10.8" x 1.9" dia. (275mm x 47mm dia.)

Weight: 6.9oz (195g) (without batteries)

Power Requirements: 2 AA Batteries, alkaline or rechargeable

Battery Life: About 8 hours

Receiver:

Audio Output Level: (+/-30KHz deviation, 1KHz tone)

¼" connector (into 3KΩ load) -18dBV

Output Impedance: ¼" connector 1kΩ

Sensitivity: -92dBm

Image Rejection: >92dB

Dimensions: 1.7" x 8.3" x 6.3"
(42mm H x 210mm W x 116mm D)

Weight: 12oz (340g)

Power Requirements:

12-18 V dc at 300mA, supplied by external power supply.



MAKERS OF THE ORIGINAL
HOT SPOT PERSONAL MONITOR



www.galaxyaudio.com

THREE YEAR LIMITED WARRANTY

WARRANTY Information can be viewed online at
<http://www.galaxyaudio.com/warranty.php>



www.galaxyaudio.com/warranty.php

ECD USER'S MANUAL

Specifications in this manual are subject to change without notice.
For the most up to date manual and information
visit www.galaxyaudio.com.

1-800-369-7768 www.galaxyaudio.com

© Copyright Galaxy Audio 2013

Printed in China

V08062013