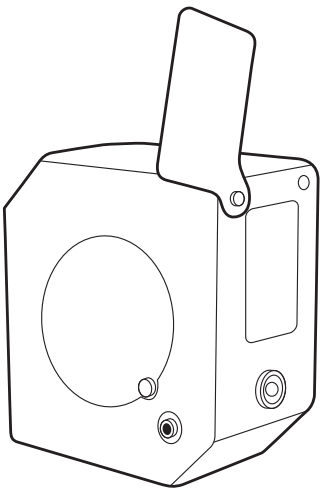


impact™



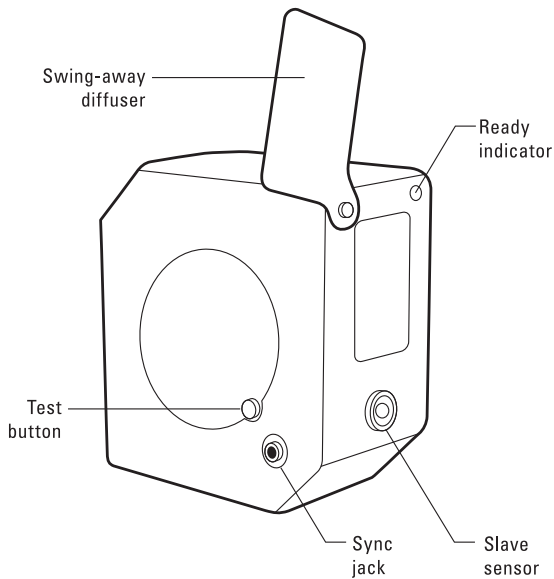
Mini Slave DC Flash INSTRUCTIONS

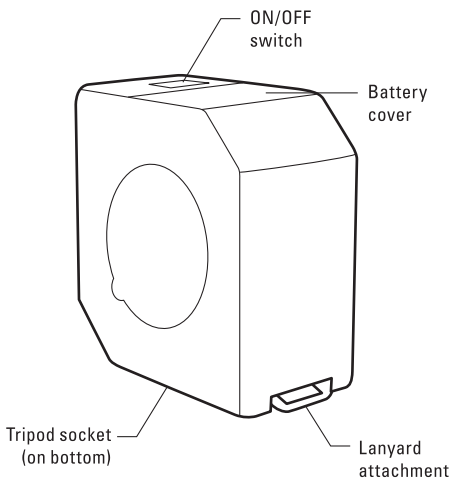
Congratulations on your purchase of the Impact Mini Slave DC Flash. Use it to light small groups of people, as a fill light, side light, hair light, or background light. It can be triggered by its optical slave sensor or through the included sync cord.

The Mini Slave DC Flash has a built-in 1/4"-20 tripod socket for mounting on a tripod or light stand. The SF-DTN40 has a ready light indicator and test button.

These flash units were designed to give you many years of trouble-free service. Please read these operating instructions and safety precautions carefully before operating this equipment.

Diagrams





Flash Operation

The SF-DTN40 comes with a sync cord and can be connected to your camera's PC jack. The flash will fire when you trigger the camera's shutter.

After setting the flash unit on a tripod or light stand, or on any horizontal surface, turn on the ON/OFF switch. The switch plate will turn from black to red. When the ready light glows, the flash is ready to fire. There is a white test button on the side of the SF-DTN40.

To use the Mini Slave DC Flash as a slave unit, the sensor on the front of the flash must be in line of sight of the master flash. The effectiveness of the slave function depends on the slave flash's distance from the master flash. Strong light, such as sunlight, can also impair the slave sensor.

The flash output is fixed at full power. To reduce power, use the swing-away diffuser, which will also soften the light.

Battery Replacement

As the batteries become weak, it will take longer for the flash to recycle. If the ready indicator does not turn on after 30 seconds, replace the batteries.

1. Open the battery cover.
2. Load two AA size batteries into the battery bay. Use only alkaline batteries and be certain to install according to the polarity diagram. Close the battery cover.
3. Flip the ON/OFF switch to the red position.
4. The ready indicator light should turn on after a few seconds. The capacitors are charged and the unit is ready to flash.
5. Model SF-DTN40 has a white test button on the side. If the flash unit fires after pressing the test button or by firing a master flash, the batteries and the flash unit are in working order.

Warning

1. Set the ON/OFF switch to OFF (black position) when the unit is not in use.
2. Remove the batteries if the unit is not to be used for a long period of time.
3. If your flash slave is to spend long periods between use, you can preserve the life of its capacitors by loading fresh batteries into the unit every few months, turning the switch to ON and allowing the capacitors to charge up until the ready indicator light is on. Then press the test button or trigger it by a master flash to fire the flash a few times.
4. Do not open or attempt to repair the flash unit. It contains high voltage circuitry and should only be repaired by trained service personnel.
5. Never flash the unit directly into the eyes.
6. Protect this device from wet conditions and extreme temperatures.

Specifications

	SF-DTN40
Guide Number*	40
Light Angle	40°
Color Temperature	5600°K
Flash Duration	1/1000 second
Recycling Time	Approx. 8 seconds
Power Source	2 AA
Battery Life	Approx. 260 flashes
Max Distance	33 ft (10 meters)
Dimensions (in)	2.25 x 2.4 x 1.4
Weight (no batteries)	3 oz (91 g)

*ISO 200 at 3m (10 ft)