

HD Video Solutions

Infrared Transmitter and Receiver Kit

User Manual



kopulTM

HDS-IRKIT



Thank you for choosing Kopul.

This kit extends normal IR capability, so you can wirelessly control your switcher or HDMI devices even when they are out of view or otherwise beyond the reach of your IR remote control. This enables you to keep your devices and wires out of the way, facilitating a clutter-free environment.

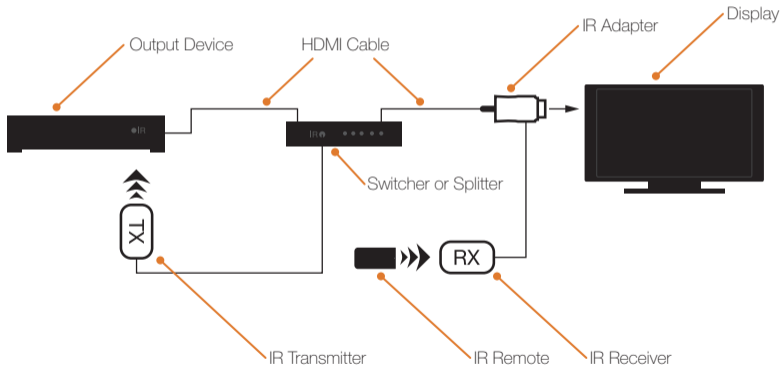
Precautions⚠

- Please read and follow these instructions and keep this manual in a safe place.
- Keep this product away from water and moisture, any flammable gases or liquids, open flames, and heat sources such as radiators or stoves.
- Handle this product with care.
- Clean this product with only a soft, dry cloth.
- Keep this product away from children.
- Use only accessories specified by the manufacturer.
- Make sure that this product is intact and that there are no missing parts.
- All photos are for illustrative purposes only.

Setting Up

1. Plug the HDMI IR adapter into your display device's HDMI input. Make sure the adapter's CEC/IR switch is in IR position.
2. Use an HDMI cable (not included) to connect the HDMI IR adapter to an available HDMI output on your HDMI switcher or splitter.
3. Plug the IR receiver into the HDMI IR adapter. Make sure to position the receiver within your IR remote control's line of sight.
4. Make sure your signal source is turned on and plugged into an available HDMI input on your switcher or splitter.
5. Plug the IR transmitter into the IR port of your switcher or splitter, and aim the transmitter at your signal source's IR receiver. If you have multiple source signals, aim the IR transmitter at all of them.

Connecting via Switcher or Splitter



Specifications

Item compatibility	Kopul HDSP-2012 and HDSP-2014 HDMI Splitters Kopul HDSW-2041 HDMI Switcher
IR transmission range	Up to 26.3 ft. (8 m)
IR adapter dimensions	0.9 × 1.2 × 0.6 in. (2.2 × 3 × 1.5 cm)
Cable length	Transmitter: 5 ft. (1.5 m) Receiver: 5 ft. (1.5 m)
Kit Weight	1.9 oz. (55 g)

One-Year Limited Warranty

This KOPUL product is warranted to the original purchaser to be free from defects in materials and workmanship under normal consumer use for a period of one (1) year from the original purchase date or thirty (30) days after replacement, whichever occurs later. The warranty provider's responsibility with respect to this limited warranty shall be limited solely to repair or replacement, at the provider's discretion, of any product that fails during normal use of this product in its intended manner and in its intended environment. Inoperability of the product or part(s) shall be determined by the warranty provider. If the product has been discontinued, the warranty provider reserves the right to replace it with a model of equivalent quality and function.

This warranty does not cover damage or defect caused by misuse, neglect, accident, alteration, abuse, improper installation or maintenance. EXCEPT AS PROVIDED HEREIN, THE WARRANTY PROVIDER MAKES NEITHER ANY EXPRESS WARRANTIES NOR ANY IMPLIED WARRANTIES, INCLUDING BUT NOT LIMITED TO ANY IMPLIED WARRANTY OF MERCHANTABILITY OR FITNESS FOR A PARTICULAR PURPOSE. This warranty provides you with specific legal rights, and you may also have additional rights that vary from state to state.

To obtain warranty coverage, contact the Kopul Customer Service Department to obtain a return merchandise authorization ("RMA") number, and return the defective product to Kopul along with the RMA number and proof of purchase. Shipment of the defective product is at the purchaser's own risk and expense.

For more information or to arrange service, visit www.KopulCables.com or call Customer Service at 212-594-2353.



Product warranty provided by the Gradus Group.

www.gradusgroup.com

KOPUL is a registered trademark of the Gradus Group. © 2014 Gradus Group LLC. All Rights Reserved.



kopulTM