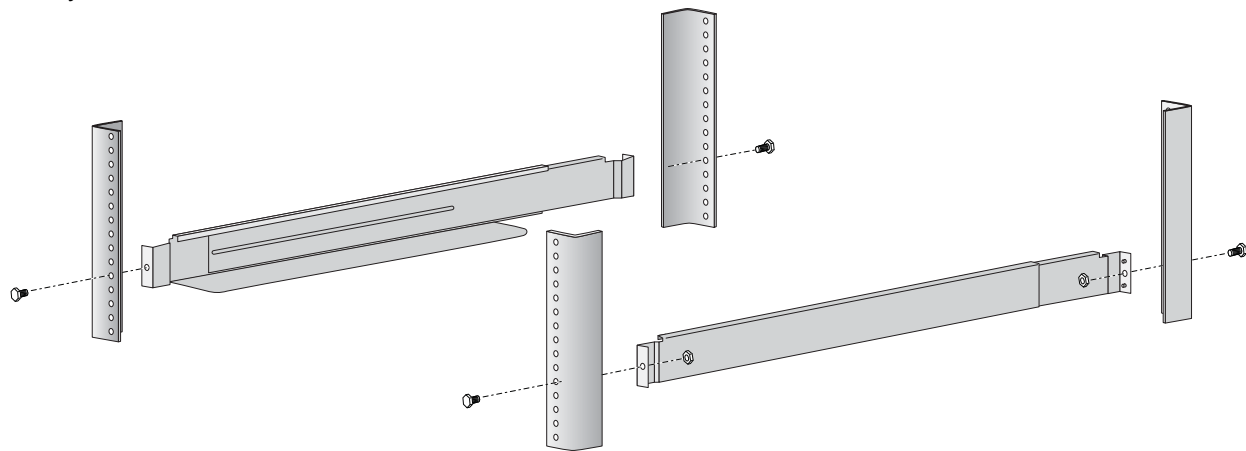


E-Class/J-Class Quick Start Guide

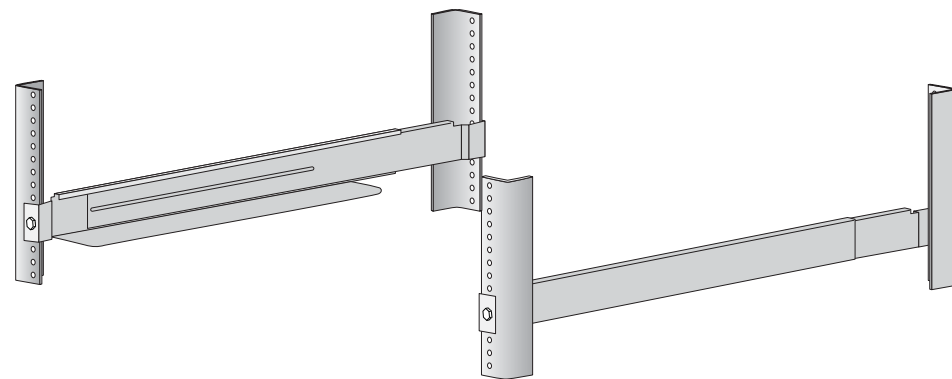
Step 1: Mount the VTrak in a Rack

To install the VTrak subsystem into a rack with the supplied mounting rails:

1. Attach the mounting rail assemblies to the rack posts, using screws and nuts from your rack system.

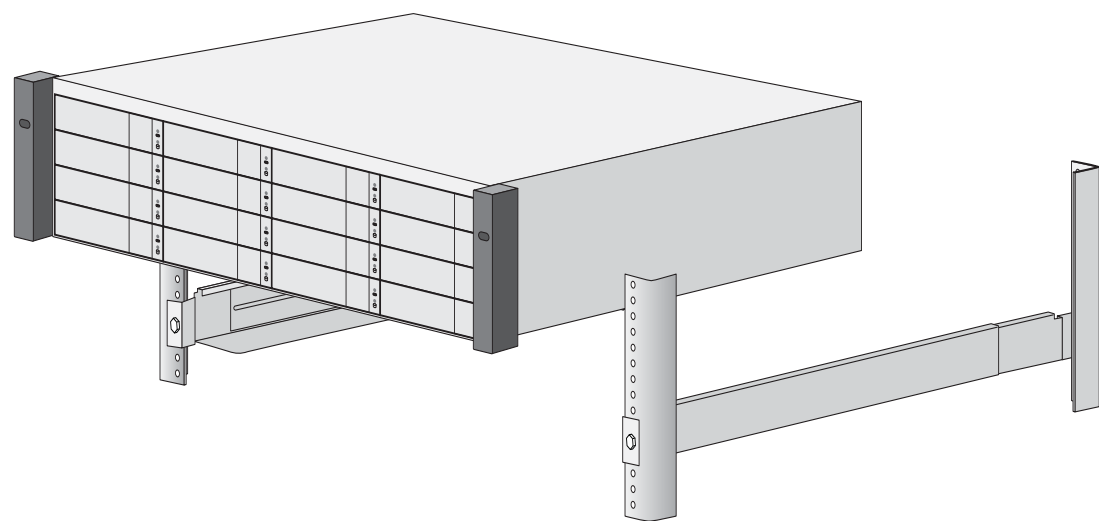


- The left-front and right-front mounting rail ends are labeled.
- Tighten the screws and nuts according to instructions for your rack system.



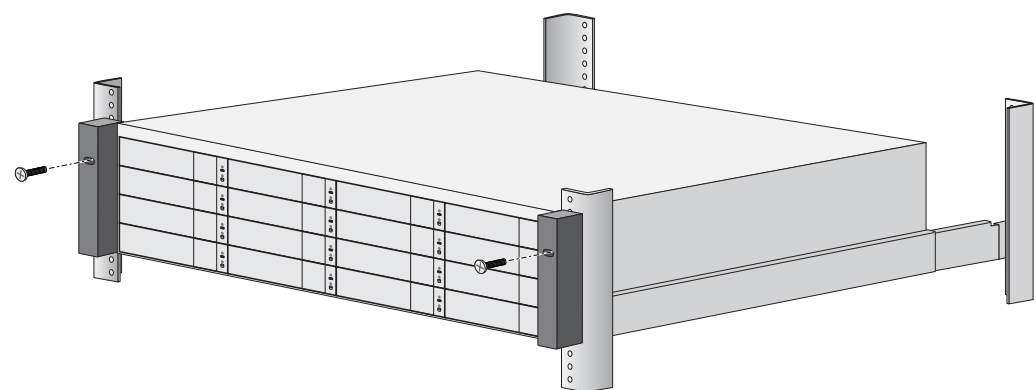
2. Place the VTrak subsystem onto the rails.

- At least two persons are required to safely lift the VTrak.
- Lift the VTrak enclosure itself. Do not lift the VTrak by its brackets.



3. Secure the VTrak subsystem to the rack.

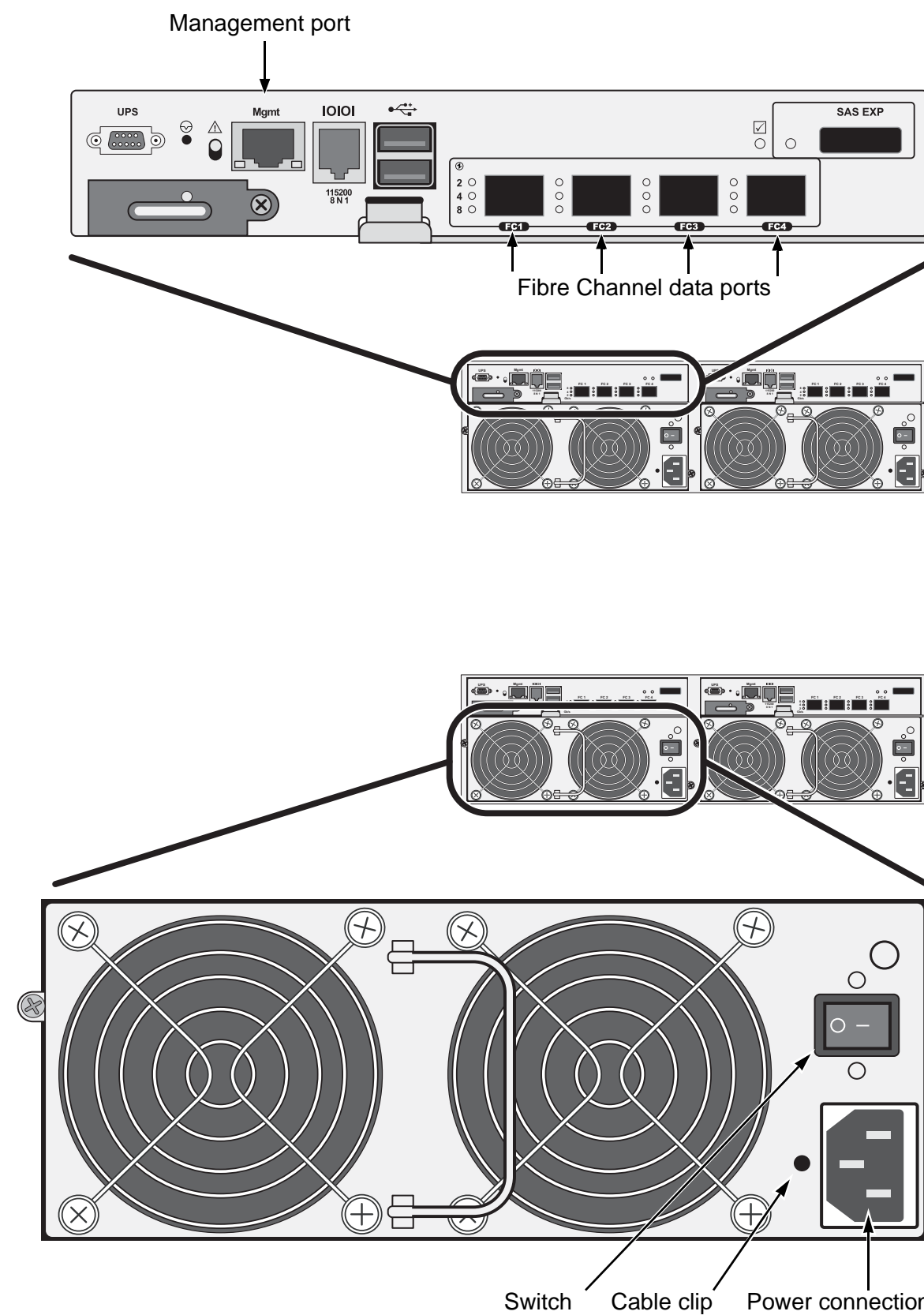
Use the attaching screws and flange nuts that came with the VTrak.



For more information on mounting the VTrak into a rack, see the *VTrak Product Manual, Chapter 2: Installation*.

Step 2: Make Physical Connections

Make the management, data, and power connections as shown below.

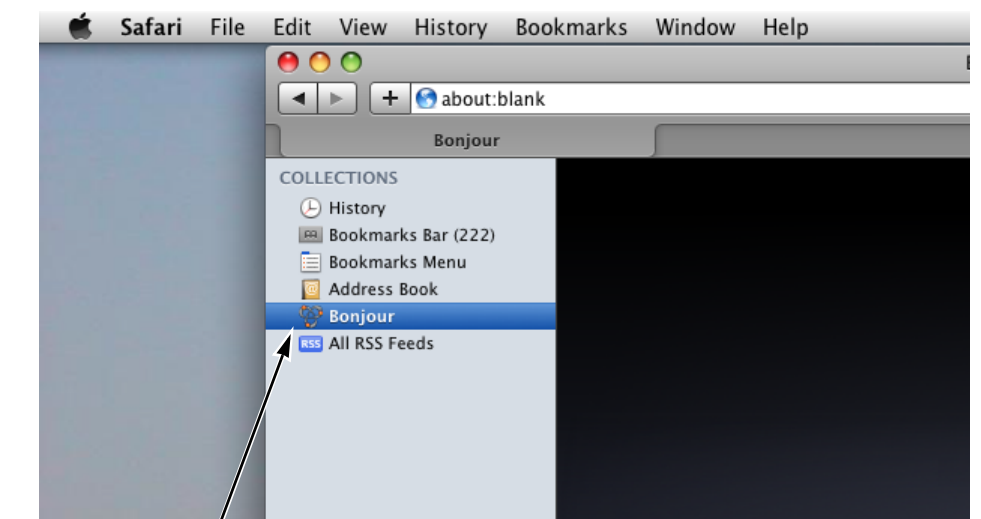


For more information about management, data, and power connections, see the *VTrak Product Manual, Chapter 2: Installation*.

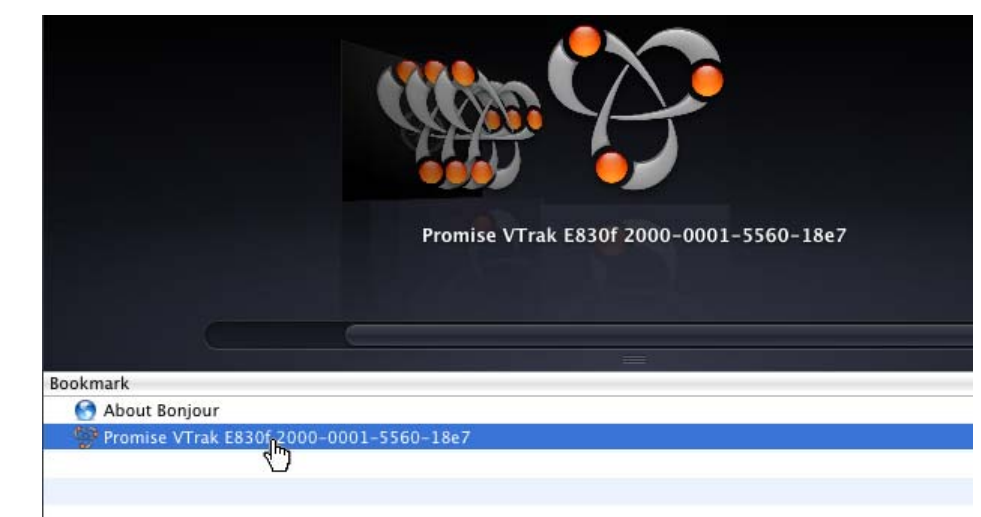
Step 3: Connect to WebPAM PROe

To connect to the WebPAM PROe RAID management software:

1. On your MacPro desktop, launch Safari.
2. From the Bookmarks menu, choose **Show All Bookmarks**.



3. Click the **Bonjour** icon



4. Double-click the VTrak.



5. Enter your User Name and Password, then click the **Login** button.

The default User Name is **administrator**.

The default Password is **password**.

For more information, see the *VTrak Product Manual, Chapter 4: Management with WebPAM PROe*.

Assistance and More Information

- Download the *VTrak Product Manual* from the Promise website at <http://www.promise.com/apple>
- Go to Promise E-Support at <https://support.promise.com>