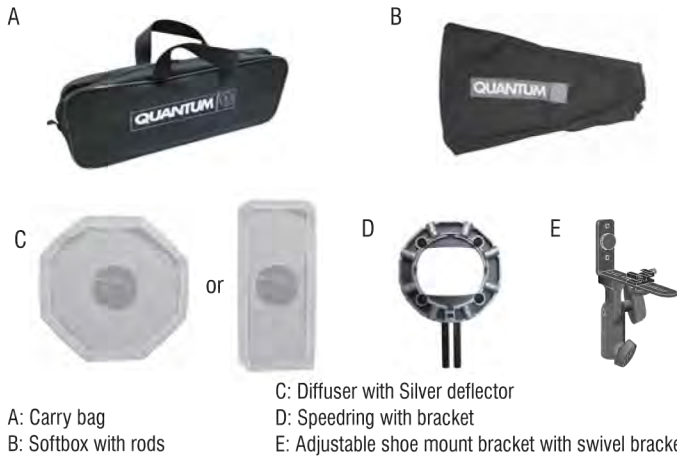




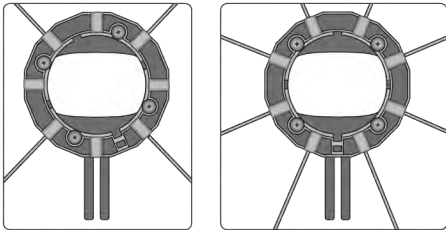
1. Parts

- Model #QF75 26" Octagon Softbox
- Model #QF76 10x24" Strip Softbox



C: Diffuser with Silver deflector
 D: Speedring with bracket
 E: Adjustable shoe mount bracket with swivel bracket

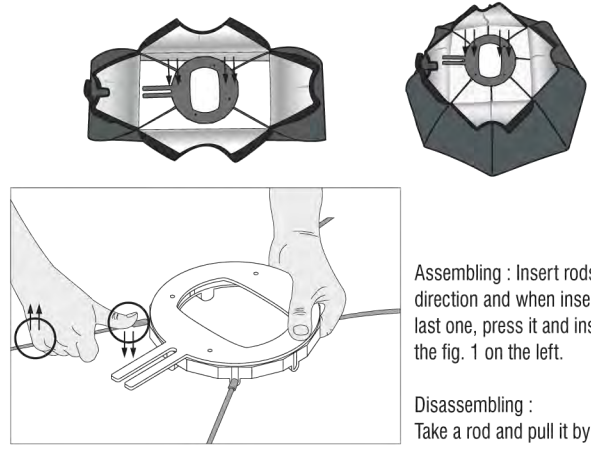
2. Assembling order of speedring in the type of softbox



Check the direction of the speedring before inserting the rods. Check the Velcro strap attached on the rear part of softbox is on the right place of the bracket. See the fig. #2, 3 and 4. The black bracket side should face backward of softbox.

Strip Box (#QF76 10x24") Octagon Softbox (QF75 26")

Fig. 1



Assembling : Insert rods in diagonal direction and when inserting the last one, press it and insert as the fig. 1 on the left.

Disassembling : Take a rod and pull it by pulling upward.



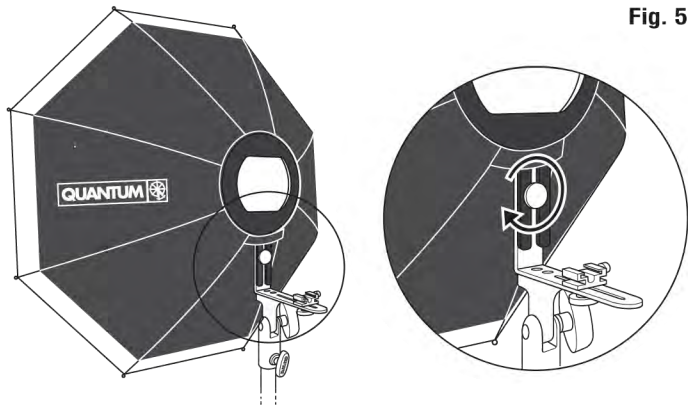
Fig. 2

Fig. 3

Fig. 4

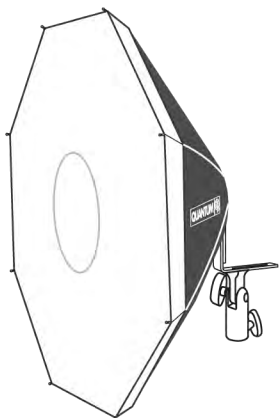
Close the rear part of softbox by using the Velcro strap.

Fig. 5



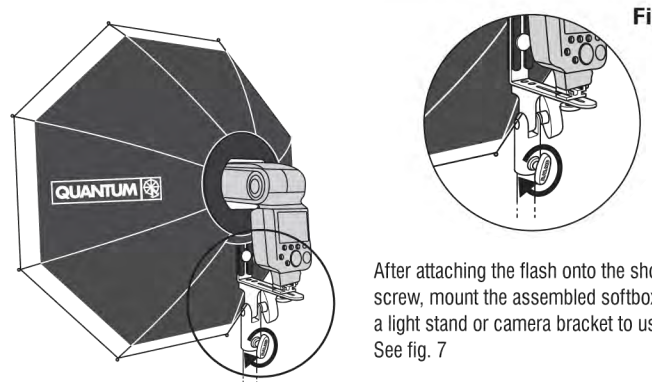
Screw the shoe mounting bracket to the swivel bracket as indicated. See fig. 5

Fig. 6



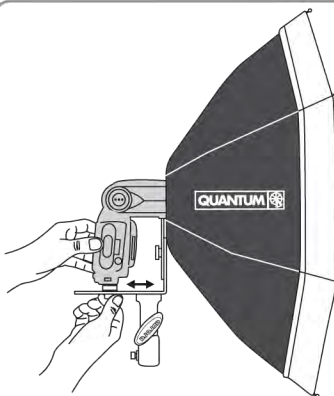
Cover the front of Softbox with the included diffuser with silver deflector. See fig. 6

Fig. 7



After attaching the flash onto the shoe or screw, mount the assembled softbox to a light stand or camera bracket to use. See fig. 7

Fig. 8



To position the flash head correctly into the softbox rear aperture, move the flash forward or backward and then secure with the locking screw. See fig. 8

To keep pace with our continued design and development this product may be modified by Quantum Instruments, Inc at any time.