

CW-SR1500



15 mm Rod Support  
Counterweight

REVO™

*Thank you for choosing Revo, and congratulations on your purchase of the Revo CW-SR1500 Counterweight for the SR-1500 Shoulder Support Rig.*

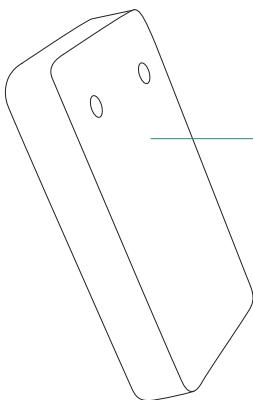
The Revo CW-SR1500 Counterweight is a unique accessory for use with the SR-1500 Shoulder Support Rig, but it can be added to any 15 mm rod support system. It increases stability, relieves arm fatigue, and creates a more balanced system for easier maneuvering and handling of fully-loaded or front-heavy camera setups.

The CW-SR1500 provides everything necessary for easy attachment.

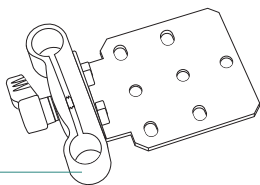
---

---

## Components



Counter weight  
with threaded holes



Mounting Plate

4 Allen Screws



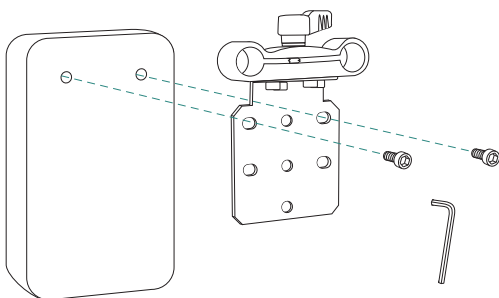
Allen Wrench



## Attaching the Counterweight to the SR-1500 Shoulder Support Rig

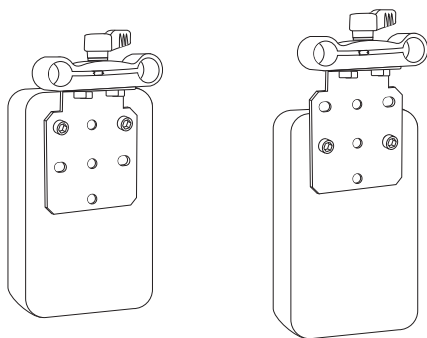
**Note:** It is recommended that you attach all accessories to the support rig before mounting the camera.

- 1 Attach the mounting plate by inserting the two included screws through the mounting plate and into the threaded holes of the counterweight. Tighten them with the included wrench.

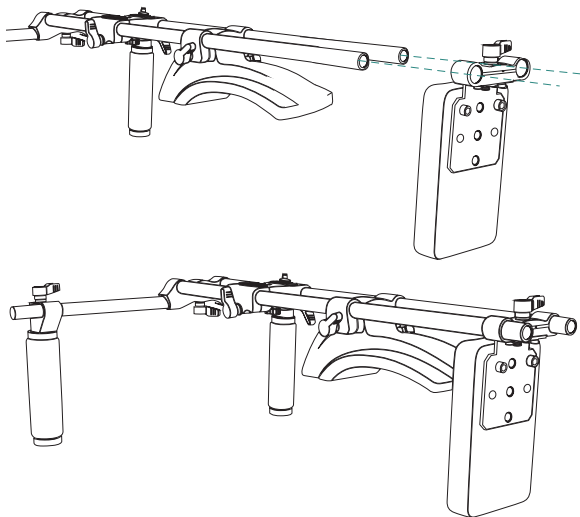


**Important:** the screws should turn easily into the holes of the counterweight. If you feel resistance when turning the screws, turn the counterweight over and repeat the previous instruction.

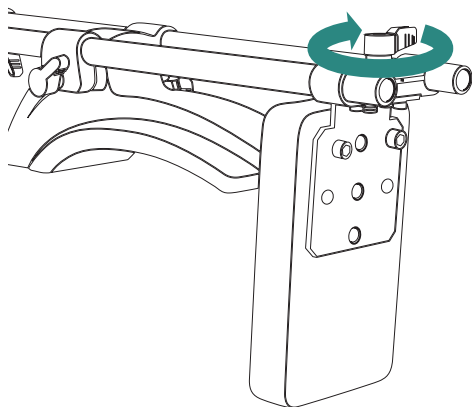
- Either set of holes on the mounting plate can be used depending on your preference. Using the holes in the center of the mounting plate will make the counterweight feel heavier.



- 2** Attach the mounting plate and counterweight assembly to the support rig by loosening the orange thumb screw (turning counterclockwise) and sliding the assembly onto the rails at the back of the support rig.



- 3** Tighten the orange thumb screws (turning clockwise) so that the counterweight is secure and doesn't slide.



## Specifications

Weight (including plate): 5.2 lb. (2.4 kg)

Height: 6" (15.2 cm)

Width: 3.1" (7.9 cm)

Depth: 0.9" (2.3 cm)

---

## Warnings

- Please read and follow these instructions, and keep this manual in a safe place.
- Handle the unit with care.
- Keep out of reach of children.
- Clean the unit with a soft, dry cloth.
- Use only parts provided by the manufacturer.
- Make sure the item is intact and that there are no missing parts.
- All photos are for illustrative purposes only.
- Make sure the Allen screws of the CW-SR1500, as well as the orange thumb screws of the SR-1500 Shoulder Support Rig and all other attachments to the support rig are secure before proceeding.
- Do not attempt to repair any part of this product.
- Make sure all connections and attachments are secure before using.
- Keep this product away from water and any flammable gases or liquids.

## One-Year Limited Warranty

This Revo product is warranted to the original purchaser to be free from defects in materials and workmanship under normal consumer use for a period of one (1) year from the original purchase date or thirty (30) days after replacement, whichever occurs later. The warranty provider's responsibility with respect to this limited warranty shall be limited solely to repair or replacement, at the provider's discretion, of any product that fails during normal use of this product in its intended manner and in its intended environment. Inoperability of the product or part(s) shall be determined by the warranty provider. If the product has been discontinued, the warranty provider reserves the right to replace it with a model of equivalent quality and function.

This warranty does not cover damage or defect caused by misuse, neglect, accident, alteration, abuse, improper installation or maintenance. EXCEPT AS PROVIDED HEREIN, THE WARRANTY PROVIDER MAKES NEITHER ANY EXPRESS WARRANTIES NOR ANY IMPLIED WARRANTIES, INCLUDING BUT NOT LIMITED TO ANY IMPLIED WARRANTY OF MERCHANTABILITY OR FITNESS FOR A PARTICULAR PURPOSE. This warranty provides you with specific legal rights, and you may also have additional rights that vary from state to state.

To obtain warranty coverage, contact the Revo Customer Service Department to obtain a return merchandise authorization ("RMA") number, and return the defective product to Revo along with the RMA number and proof of purchase. Shipment of the defective product is at the purchaser's own risk and expense.

For more information or to arrange service, visit [www.revocinegear.com](http://www.revocinegear.com) or call Customer Service at 212-594-2353.



Revo is a registered trademark of the Gradus Group  
© 2014 Gradus Group LLC. All Rights Reserved  
Product warranty provided by the Gradus Group.  
[www.gradusgroup.com](http://www.gradusgroup.com)