

Table of Contents:

Introduction.....	2
Overview	3
Precautions.....	4
Installing the Battery	5
Mounting the SMS-45 and Turning It On	6-7
Using the High-Pass Filter	8
Recording.....	8-9
The Desktop Stand.....	9
Troubleshooting.....	10
Specifications	11
Warranty.....	12

USER'S GUIDE



SMS-45

**DSLR STEREO MINI SHOTGUN
MICROPHONE**

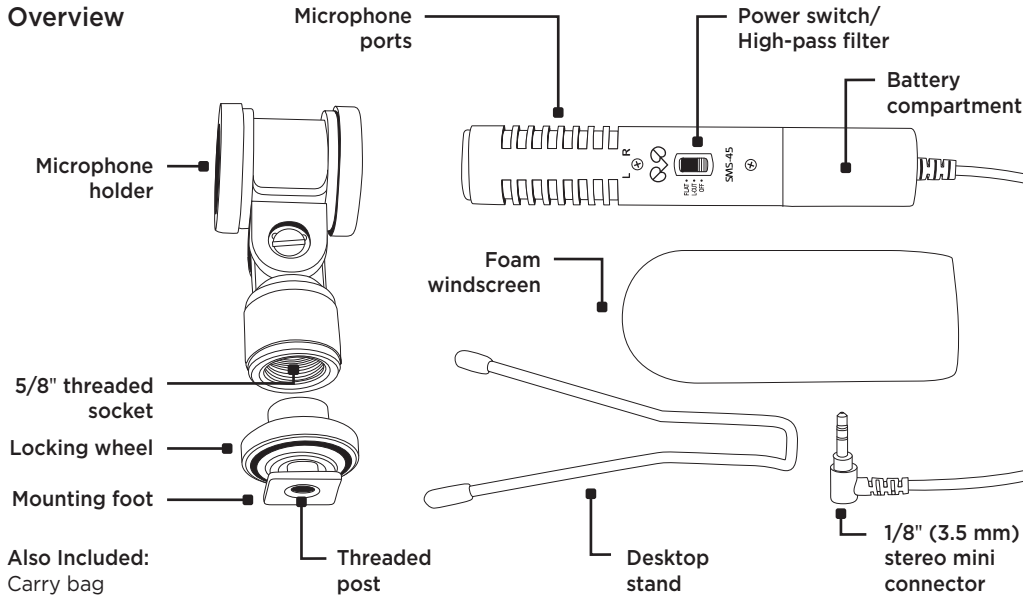
Thank you for choosing Senal.

The Senal SMS-45 Mini Shotgun Microphone is a compact, lightweight, and durable directional stereo microphone designed for recording live audio directly into a DSLR camera, camcorder, or portable recorder. The SMS-45 features two condenser cardioid capsules arranged in an X-Y pattern for capturing pristine audio with realistic stereo imaging. The microphone is designed for either battery-powered operation or plug-and-play operation when used with cameras or portable recorders that provide power from the mic input. The SMS-45 can be used for any recording requiring a boom pole, and it attaches to a camera's shoe mount making it a versatile and sturdy tool for a variety of field and studio recording projects.

Among the benefits you'll enjoy:

- Compact mini shotgun design
- Solid aluminum construction for durability
- Two cardioid condenser capsules in X-Y pattern for natural stereo imaging
- 5/8" threaded socket for boom pole mounting
- Shoe mount adapter with locking wheel
- Rubber shock resistant mic holder for reduced noise when recording
- Plug and play operation or battery-powered operation

Overview



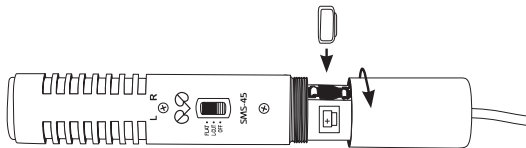
Precautions

- Please read and follow these instructions and keep this manual in a safe place.
- Keep this product away from water and flammable gasses or liquids.
- Use only the batteries recommended by this manual.
- Do not attempt to disassemble or repair this product yourself.
- Handle this product with care.
- Clean this product only with a soft dry cloth.
- Make sure that this product is intact and that there are no missing parts.
- To avoid damaging the product, remove the battery during long periods of non-use.
- All photos are for illustrative purposes only.

Installing the Battery

The SMS-45 microphone runs on one LR44 button cell battery. To install the battery, make sure the SMS-45 is turned off and follow these steps:

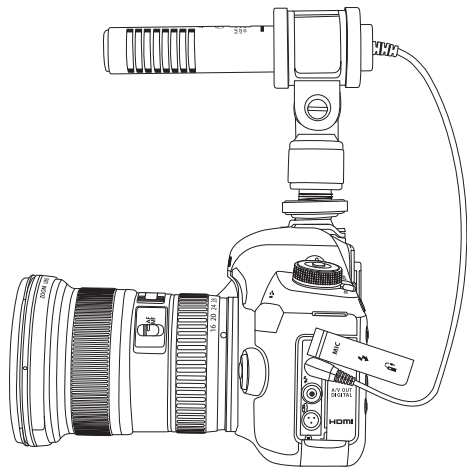
1. Unscrew the base of the microphone to access the battery compartment.
2. Insert the new battery in the orientation indicated by the illustration on the side of the housing.
3. Replace the protective cover by screwing it back onto the base of the microphone.



Mounting the SMS-45 and Turning It On

To attach the microphone to a camera with the shoe mount adapter, make sure the SMS-45 is turned off and follow these steps:

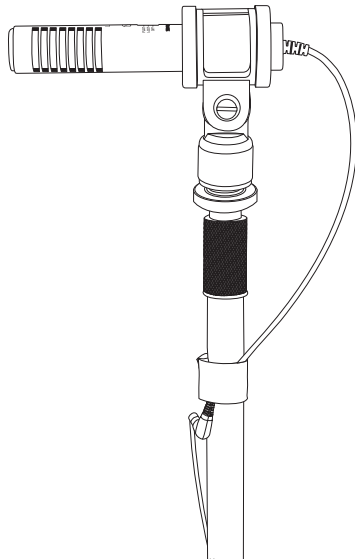
1. Rotate the locking wheel counterclockwise to loosen it.
2. Slide the shoe mount adapter all the way into your camera's shoe mount.
3. Tighten the locking wheel by rotating it clockwise until secure.
4. Insert the microphone into the mic holder making sure that the power/high-pass filter switch is accessible.



To attach the microphone to a boom pole make sure the SMS-45 is turned off and follow these steps:

1. Match the threaded post on the end of the boom pole with the threaded socket of the SMS-45's mic holder.
2. Screw the boom pole into the threaded socket until it is secure.
3. Insert the microphone into the mic holder making sure that the power/high-pass filter switch is accessible.

To switch the microphone on, set the power switch to either the L-CUT or FLAT position.



Using the High-Pass Filter

The high-pass filter attenuates noise below 80 Hz. This helps prevent the microphone from recording low-frequency noises like the rumble of an air conditioner, blower, or fan.

To turn on the high-pass filter, slide the switch on the microphone to the L-CUT position. To turn off the high-pass filter, slide the switch to the FLAT position.

Recording

1. Plug the 3.5 mm stereo mini connector into the audio input jack of your camera or portable recorder.
2. Place the foam windscreen over the microphone.
3. Slide the power/high-pass filter.
4. Switch to the FLAT or L-CUT position.
5. You are now ready to record. Consult the instructions of your camera or recording device for directions on recording.

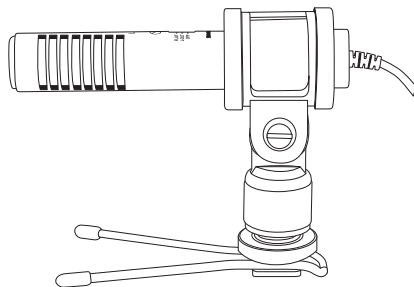
Recording Tips:

- The foam windscreen should always be used to diminish vocal plosives and wind noise.
- It is always advisable to do a test recording first and listen to the playback before recording a complete take.

The Desktop Mic Stand

The SMS-45 can be used as a stand-alone microphone. For tabletop placement of the microphone follow these steps:

1. Attach the shoe-mount adapter by screwing in the 5/8" threaded post of the adapter into the 5/8" threaded socket of the mic holder.
2. With the closed end of the mic stand slanted down toward the table top, slide the microphone just above the mounting foot onto the stand so that it rests on the flat section of the legs.
3. Tighten the locking wheel by rotating it clockwise.



Troubleshooting

Problem	Solution
The microphone is stuck in the camera's shoe mount.	Make sure the locking wheel is fully loosened.
No sound was recorded.	Make sure that a fresh battery is installed, and it is correctly orientated in the battery compartment. Make sure the switch on the microphone is set to either the FLAT or L-CUT position.
The sound is distorted.	Make sure the microphone's audio connection is fully plugged into the audio input jack of your camera or portable recorder. If the level is too high, decrease the mic gain on your camera or recording device.
The recording level is too low.	Increase the mic gain control on your camera or recording device.
There is too much rumble or room noise.	Slide the switch on the microphone to the L-CUT position. Turn off electric appliances like air conditioners, blowers, and fans.

Specifications

Transducer type:	Back electret condenser
Pattern:	X-Y stereo cardioid
Frequency response:	50 Hz - 18 kHz
Sensitivity:	-45 dB \pm 3 dB (0dB = 1 V/Pa @ 1 kHz)
Impedance:	1.5K ohm
Signal-to-noise ratio:	60 dB @ 1 kHz
Low frequency roll-off:	80 Hz
Operation voltage w/ battery:	DC 1.5 V
Plug-in power:	DC 2-10 V
Battery life:	Approx. 100 hours
Connector:	1/8" (3.5 mm) stereo mini connector
Power:	LR44 button cell battery
Cable:	Fixed 8" straight
Dimensions:	Length: 4.7" (12 cm)
Weight (with battery):	3.2 oz (90 g)

Ten-Year Limited Warranty

This Senal product is warranted to the original purchaser to be free from defects in materials and workmanship under normal consumer use for a period of ten (10) years from the original purchase date or thirty (30) days after replacement, whichever occurs later. The warranty provider's responsibility with respect to this limited warranty shall be limited solely to repair or replacement, at the provider's discretion, of any product that fails during normal use of this product in its intended manner and in its intended environment. Inoperability of the product or part(s) shall be determined by the warranty provider. If the product has been discontinued, the warranty provider reserves the right to replace it with a model of equivalent quality and function.

This warranty does not cover damage or defect caused by misuse, neglect, accident, alteration, abuse, improper installation or maintenance. EXCEPT AS PROVIDED HEREIN, THE WARRANTY PROVIDER MAKES NEITHER ANY EXPRESS WARRANTIES NOR ANY IMPLIED WARRANTIES, INCLUDING BUT NOT LIMITED TO ANY IMPLIED WARRANTY OF MERCHANTABILITY OR FITNESS FOR A PARTICULAR PURPOSE. This warranty provides you with specific legal rights, and you may also have additional rights that vary from state to state.

To obtain warranty coverage, contact the Senal Customer Service Department to obtain a return merchandise authorization ("RMA") number, and return the defective product to Senal along with the RMA number and proof of purchase. Shipment of the defective product is at the purchaser's own risk and expense.

For more information or to arrange service, visit www.senalsound.com or call Customer Service at 212-594-2353.

Product warranty provided by the Gradus Group.
www.gradusgroup.com



Senal is a registered trademark of the Gradus Group. © 2014 Gradus Group LLC. All Rights Reserved.

GG2