



---

# SHARKK 2O Waterproof Speaker

---

Owner's Guide

Model SP-SK896WTR-GRY

## INTRODUCTION

---

Thank you for your purchase of the SHARKK 2O Waterproof Speaker. Please read this manual carefully before you begin using your new item.

Packed with advanced features and equipped with the absolute latest in wireless technology the SHARKK 2O Waterproof & Dustproof Speaker is a powerful, rugged and reliable speaker, making it the perfect option for those with an active lifestyle. Unlike the majority of it's less adventurous ancestors, who were apt to leave you hanging at the slightest hint of moisture, this IP67-rated Waterproof & Dustproof Speaker will always have your back, and will keep you rockin' through damp and dry.

Throw in the sturdy velcro carry-strap and robust exterior design, and you've got a portable powerhouse that blends function, style and rugged determination.

In addition to the SHARKK 2O Waterproof Speaker, the SHARKK Lifestyle Brand is pleased to be able to offer a wide variety of consumer accessories across many different product categories. Keyboards, mobile device cases, speakers, power banks and computer mice are but a few of the items that make up our extensive online catalog and we welcome you to visit us and browse our handpicked selection of the latest consumer accessories at [sharkk.com](http://sharkk.com).

Here at SHARKK, the quality of our products and the complete satisfaction of our customers are the two greatest passions of our enterprise, as we endeavor to bring you top quality items at competitive prices.

## PRODUCT OVERVIEW

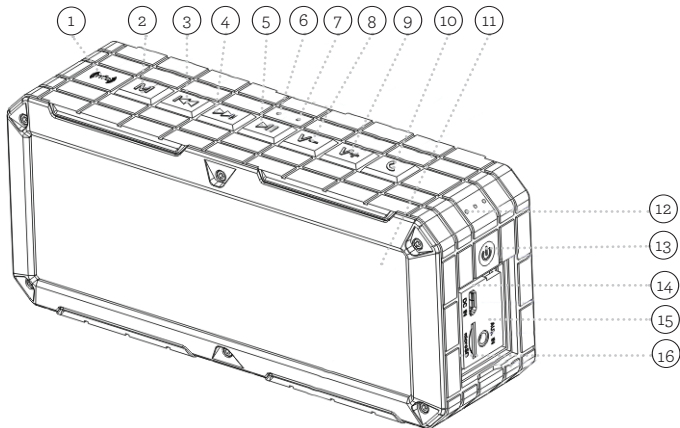
---

### Box Content

- 1x 8W Waterproof/Dustproof Bluetooth Speaker
- 1x Velcro Carrying Strap
- 1x Custom Storage Bag
- 1x USB Charging Cable
- 1x AUX Cable
- 1x Power Adapter
- 1x User Manual

## PRODUCT OVERVIEW

---



## PRODUCT OVERVIEW

---

### NFC Area ①

- Hold your device over this icon to use NFC for Bluetooth connection.

### M(ode) Button\* ②

- Use this button to toggle between Bluetooth/AUX/Micro SD modes.

### Prev ③

- Use this button to navigate to the previous track.
- Press and hold to rewind.

---

**\*Note:** when connecting an AUX cable or SD Card, the speaker will automatically enter the correct mode, provided that only one mode of connection is in use. If there are multiple connections, the speaker will default to Bluetooth mode, and you can toggle between modes using the **M** button.

---

### Next ④

- Use this button to navigate to the next track.
- Press and hold to fast-forward.

### Play/Pause ⑤

- While in Bluetooth mode, press and hold this button to begin pairing device.
- Use normally to control playback.

### Bluetooth Indicator ⑥

- Flashing Blue: Device is in bluetooth mode (default)
- Flashing Blue/Red: Active Bluetooth pairing.
- Solid Blue: Bluetooth connection established.

## PRODUCT OVERVIEW

---

### AUX/Micro SD Indicator ⑦

- Red: Device is in AUX mode.
- Green: Device is in Micro SD mode.

### V(olume)- ⑧

- Decrease Volume.

### V(olume)+ ⑨

- Increase Volume.
- A beeping sound will alert you when you have reached maximum volume.

### Phone Button ⑩

- When connected via Bluetooth, press and hold to activate Siri or S-Voice.
- Incoming Call: press once to answer, press and hold to reject/end call.



### Microphone <sup>(11)</sup>

- For best results, keep within 3 feet of the mic while speaking.

### Battery-Level Indicator <sup>(12)</sup>

- These lights indicate your device's remaining charge level:

● ● ●	<b>100% Battery</b>
● ● ○	<b>60% Battery</b>
● ○ ○	<b>30% Battery</b>
○ ○ ○	<b>Low Battery</b>

### Power Button/Indicator <sup>(13)</sup>

- Press and hold for 2 seconds to power on, or 4 seconds to power off.
- If necessary, press and hold for 8 seconds to force a system restart.

## PRODUCT OVERVIEW

---

### Micro USB Port (14)

- For charging use only, cannot be used for external device connection.

### AUX IN Port (15)

- Use this port to connect speaker to an external media device via AUX cord.

### Micro SD Slot\* (16)

- Insert a Micro SD card into this slot to play stored media. If there is no card inserted, Micro SD mode will be skipped when toggling between modes.
- All tracks/folders on the card will play in alphabetical order.

---

**\*Note:** Due to technical limitations, the speaker can only play audio from a microSD card that is formatted as FAT32 and not NTFS. If you are having difficulty playing music from your card, please check that your card is formatted correctly.

---

### Charging

Insert the power cord into the Micro-USB port of the device. Charging begins automatically even if the device is powered off. All three power indicator lights will turn solid when device is fully charged.

To conserve energy, the device will automatically power off if there is no Bluetooth connection and the device has been idle for 10 minutes.

### Bluetooth

1. To connect your speaker to a Bluetooth enabled device, power on your speaker and hold your phone or other device within 3 feet of the speaker, press and hold the Play/Pause button for 3 seconds, and the system will then enter pairing mode (signaled by a voice prompt) and you should see the indicator light flashing blue and red.

## INSTRUCTIONS

---

2. Pairing mode will automatically be canceled (signaled by a beep) after 3 minutes. To re-enter pairing mode, simply begin again at step #1.
3. Make sure that Bluetooth is enabled on the device you wish to pair with.
4. When scanning for available devices, the speaker should appear as “SHARKK” on the list of found devices.
5. When selecting “SHARKK” from the list, you may be prompted to enter a PIN code (sometimes called a “Passkey”, “PIN Number” or “Password”), the code for this device is “0000”.
6. The speaker will record this device as the last device paired.
7. Finally, activate the Bluetooth connection from your phone or other device (some devices may do this automatically).
8. Incoming calls will override music and other media with an “incoming call” voice alert, simply press the Phone button to answer or press and hold to

reject/end the call. Press the Phone button to answer a second incoming call.

9. Press the Phone button to activate the “siri” or S-Voice function of your phone.

### **NFC**

1. Begin by powering on your speaker and turning on the NFC function of the device you wish to connect to your speaker.
2. Touch the device to the NFC area of your speaker and the speaker should connect automatically.

### **Waterproof & Dustproof**

- The SHARKK 20 Waterproof Speaker has an IP67 rating which means that it is built to withstand complete immersion in water up to 1m and that it is completely impervious to dust.
- Secure protective side-flap covering before use near water.

## FEATURES

---

### Features

1. Bluetooth Version 4.0.
2. Increased Bluetooth transmission rate and higher audio fidelity with decreased power consumption.
3. Supports: NFC, Siri and S-Voice.
4. Battery status shows on iPhone/ iPod / iPad.
5. Dual 4W loudspeakers produce high quality stereo sound.
6. IP67 Waterproof/Dustproof Rating.
7. Supports AUX/Micro SD Card.
8. Equipped with automatic power-saving feature.

### Specifications

1. Operation Voltage: 3.7 V
2. Charging Voltage: 5V
3. Output Power: 4Watts \* 2
4. Speaker Spec.: 40mm 2 Ohms 4W
5. Frequency Response: 60Hz ~ 20Khz
6. Lithium Battery Capacity: 2200mA
7. THD < 0.5%
8. SNR > 90dB
9. Dimensions: 55mm \* 75mm \* 175mm

## **INSTRUCTIONS**

---

### **Proper Use**

1. To prevent damage and risk of electrical shock, do not expose this device to dust, vibration, or extreme weather.
2. Do not place device in close proximity to open flames or extreme heat sources. Always place your device on level, flat and stable surfaces.
3. Avoid placing items on top of the speakers.
4. Do not use excessive force when pressing buttons or handling your device.
5. To clean your speaker, use only a dry, soft cloth or minimally damp cloth without any device solvent or cleaning agent.
6. Please do not allow the use of these speakers by small children without proper adult supervision.



### **Safety**

To prevent fires, shock or injury, please do not disassemble or replace any parts of your device. In the event that your device may be damaged or in need of repair, please contact a professional maintenance or qualified service center for assistance. We are not responsible for any personal injury or property damage caused by improper use of this product.

### **FCC Compliant**

These devices comply with part 15 of the FCC Rules. Operation is subject to the following two conditions: (1) This device may not cause harmful interference, and (2) This device must accept any interference received, including interference that may cause undesired operation.

## **APPENDIX**

---

### **Warranty**

Your new device is covered by a Limited Manufacturer's Warranty. Details of the warranty are as follows: for a period of one (1) year from the date of retail purchase, SHARKK warrants that this product is free of any defects in manufacturing, materials and workmanship. During the warranty period, we shall, at our sole discretion, repair or replace any defective parts free of charge.

### **Support**

As with all SHARKK products, the SHARKK 2O Waterproof Bluetooth Speaker comes with our quality assurance and satisfaction guarantee. If you should experience any technical issues with your device, or if you have any questions we invite you to contact our customer service department at [support@sharkk.com](mailto:support@sharkk.com), and we will do everything in our power to help resolve the issue.

## KEEP IN TOUCH

---

Please take a moment to check us out on Facebook, Twitter and Instagram where you can post pictures, share your experience and join the ever-growing SHARKK online community.

By joining the SHARKK Facebook page you will be eligible for special promotions and giveaways, as well as being among the first to know about new products, discounts and sales.



@ShopSHARKK



SHARKK



@SHARKKLifestyle



support@Sharkk.com

All rights reserved

© Sharkk