



MODELS SM48 AND SM48S UNIDIRECTIONAL DYNAMIC MICROPHONES

Shure Models SM48 and SM48S unidirectional dynamic microphones are designed for professional sound reinforcement, studio recording, and broadcasting applications. They maintain a true cardioid pattern throughout their frequency range, ensuring high gain before feedback and rejection of off-axis sound. The tailored frequency response is ideal for vocals. A presence rise brightens mid-range performance, and a low frequency rolloff controls proximity effect.

Both models include a shock mounted cartridge, a steel mesh grille, and an integral “pop” filter. The SM48S also includes a lockable On/Off switch.

Each microphone is supplied with an adjustable stand adapter and a zippered carrying/storage bag. Cables are available separately.

FEATURES

- *Cardioid pickup pattern rejects off-axis sound and provides superior gain before feedback*
- *Frequency response tailored for vocals, with brightened mid-range and bass rolloff to control proximity effect*
- *Shock-mounted cartridge for exceptional ruggedness and reduced handling noise*
- *Built-in “pop” filter that reduces explosive breath sounds and wind noise*
- *Supplied stand adapter and carrying/storage bag*
- *Lockable On/Off switch (SM48S only)*
- *Legendary Shure quality and ruggedness*

VARIATIONS

- SM48
- SM48S (with lockable On/Off switch)

SPECIFICATIONS

Type

Dynamic

Frequency Response

55 to 14,000 Hz (see Figure 1)

Polar Pattern

Cardioid (unidirectional) rotationally symmetrical about microphone axis, uniform with frequency (see Figure 2)

Impedance

Microphone rating impedance is 150 Ω (270 Ω actual) for connection to microphone inputs rated at 19 to 300 Ω

Output Level (at 1,000 Hz)

Open Circuit Voltage: *.....-57.5 dBV/Pa (1.3 mV)

*1 Pa = 94 dB SPL

Connector

XLR professional audio

Polarity

Positive pressure on diaphragm produces positive voltage on pin 2 with respect to pin 3. See Figure 3.

Dimensions

See Figure 4

Net Weight

370 grams (13.1 oz)

Packaged Weight

672 grams (1 lb, 8.5 oz)

CERTIFICATIONS

Eligible to bear CE Marking. Conforms to European EMC Directive 89/336/EEC. Meets applicable tests and performance criteria in European Standard EN55103 (1996) parts 1 and 2, for residential (E1) and light industrial (E2) environments.

FURNISHED ACCESSORIES

Swivel Adapter	A25D
Carrying/Storage Bag.....	26A13

OPTIONAL ACCESSORIES

Windscreen	A58WS
Desk Stand.....	S37A, S39A
Isolation Mount	A55M, A55HM
Dual Mount.....	A26M
7.6 m Cable (25 ft)	C25F

REPLACEMENT PARTS

Cartridge	R136
Screen and Grille Assembly.....	RK248G
Plug Assembly	RK40P
On/Off Switch.....	RK81S

LOCKING THE ON/OFF SWITCH (SM48S ONLY)

To lock the On/Off switch in On position, remove the screw from the lockplate and rotate the lockplate 180°. Then reinstall the screw.

For additional service or parts information, please contact the Shure Service Department at 1-800-516-2525. Outside the United States, please contact your authorized Shure Service Center.



MICROPHONES DYNAMIQUES UNIDIRECTIONNELS MODÈLES SM48 ET SM48S

CARACTÉRISTIQUES

Type

Dynamique

Réponse en fréquence

55 à 14.000 Hz (voir la figure 1)

Dispersion

Carioïde (unidirectionnel) symétrique circulairement sur axe, uniforme avec la fréquence (voir la figure 2)

Impédance

L'impédance nominale est 150 Ω. (effective 270 Ω) pour entrées microphones données pour 19 à 300 Ω.

Niveau de sortie (à 1 kHz)

En circuit ouvert (voltage):* -57.5 dBV/Pa (1.3 mV)

*1 Pa = 94 dB SPL

Polarité

Une pression positive produit une tension positive sur la broche 2 par rapport à la broche 3 (voir la figure 1)

Dimensions hors tout

Voir la figure 4

Poids net

370 grammes

VARIATIONS

SM48

SM48S (avec interrupteur d'alimentation électrique)

HOMOLOGATIONS

Autorisé à porter la marque CE. Conforme à la directive CEM européenne 89/336/CEE. Conforme aux critères applicables de test et de performances de la norme européenne EN 55103 (1996) parties 1 et 2 pour les environnements résidentiels (E1) et d'industrie légère (E2).

ACCESSOIRES FOURNIS

Adaptateur pivotant A25D

Sac de rangement 26A13

ACCESSOIRES EN OPTION

Bonnet A58WS

Pied de table S37A

Pied a montage anti-vibrations S39A

Câble (7.6 m) C25F

PIÈCES DE RECHANGE

Cartouche R136

Prise RK40P

Grille avec écran RK248G

Interrupteur Marche/Arrêt (SM48S) RK81S

Pour tout renseignement complémentaire, prière de prendre contact avec le service Entretien Shure au 1/800-516-2525. En dehors des États-Unis, prière de prendre contact avec le centre d'entretien agréé Shure local.

DYNAMISCH RICHTMIKROFON MODELL SM48 UND SM48S

TECHNISCHE DATEN

Wandlerprinzip

Dynamisch, Tauchspule

Frequenzgang

55...14.000 Hz (siehe Abbildung 1)

Richtcharakteristik

Nierenförmig, frequenz-unabhängig und symmetrisch zur Mikrofonachse (siehe Abbildung 2)

Impedanz

Die Nenn-impedanzen betragen 150 Ω. Vorgesehen für den Anschluss an niederohmige Mikrofoneingänge, die für Quellimpedanzen von 150 Ω bemessen sind.

Übertragungsfaktor (bei 1 kHz)

Feldleerlaufübertragungsfaktor* -57,5 dBV/Pa (1,3 mV)

*1 Pa = 94 dB SPL

Polarität

Positiver Schalldruck ergibt positive Spannung am Anschlußstift 2, gemessen zum Anschlußstift 3 (siehe Abbildung 3)

Gesamtabmessungen

Siehe Abbildung 4

Nettogewicht

370 g

Schalter

SM48

SM48S (mit netz ein/aus-kopf)

ZULASSUNG

Zur CE-Kennzeichnung berechtigt. Entspricht der EU-Richtlinie über elektromagnetische Verträglichkeit 89/336/EEC. Erfüllt die Prüfungs- und Leistungskriterien der europäischen Norm EN 55103 (1996) Teil 1 und 2 für Wohngebiete (E1) und Leichtindustrieregionen (E2).

MITOELIEFERTES ZUBEHÖR

Stativhalterung A25D

Tragetasche 26A13

SONDERZUBEHÖR

Windschutz A58WS

Tischständer S37A

Schwingungsisolierter Tischständer S39A

Kabel C25F

ERSATZTEILE

Kapsel R136

Anschlusskupplung RK40P

Einsprechkorb RK248G

Ein-/Ausschalter (SM48S) RK81S

Weitere Informationen hinsichtlich Service oder Ersatzteile erhalten Sie vom Shure-Zentral-Kundendienst unter der Nummer 1-800-516-2525. Außerhalb der Vereinigten Staaten von Amerika wenden Sie sich Bitte an das entsprechende autorisierte Service-Center Ihres Landes.

MICROFONO DINAMICO UNIDIRECCIONAL MODELOS SM48 Y SM48S

CARACTERISTICAS

Tipo

Dinámico

Respuesta a Frecuencias

55 a 14.000 Hz (vea la Figura 1)

Dispersión Polar

Cardioide (unidireccional), uniforme respecto a la frecuencia y simétrica respecto al eje (vea la Figura 2)

Impedancia

La impedancia especificada es de 150 Ω (270 Ω efectivos) para su conexión a entradas de micrófono especificadas entre 19 y 300 Ω .

Nivel de salida (a 1 kHz)

Tensión en circuito abierto* -57,5 dBV/Pa (1,3 mV)

*1 Pa = 94 dB SPL

Polaridad

La presión positiva produce un voltaje positivo en el pin 2 respecto al 3 (vea la Figura 3)

Dimensiones totales

Vea la Figura 4

Peso neto

370 g

Variaciones

SM48

SM48S (con interruptor de encendido)

CERTIFICACIONES

Califica para llevar las marcas CE. Cumple la directiva europea 89/336/EEC de compatibilidad electromagnética. Se ajusta a los criterios correspondientes de verificación y funcionamiento establecidos en la norma europea EN 55103 (1996), partes 1 y 2, para zonas residenciales (E1) y zonas de industria ligera (E2).

ACCESORIOS SUMINISTRADOS

Abrazadera A25D
Bolsa de transporte..... 26A13

ACCESORIOS OPCIONALES

Pantalla antiviento A58WS
Pié de sobremesa S37A
Pié con aislador de vibraciones S39A
Cable (7.6 m)..... C25F

REPUESTOS

Cápsula.....R136
EnchufeRK40P
Conjunto de protector y rejilla..... RK248G
Interruptor (SM48S).....RK81S

Para información adicional acerca del servicio o de partes, llame al Departamento de Servicio Shure a 1-800-516-2525. Fuera de los EE.UU., llame al servicentro autorizado de productos Shure.

MICROFONO DINAMICO UNIDIREZIONALE MODELLO SM48 Y SM48S

CARATTERISTICA

Tipo

Dinamico

Risposta in frequenza

Da 55 a 14.000 Hz (vedi Figura 1)

Diagrammi Polare

Cardioide (unidirezionale), uniforme rispetto all'asse del microfono, uniforme con la frequenza (vedi Figura 2)

Impedenza

Valore nominale: 150 Ω (270 Ω effettivi) per il collegamento a ingressi microfonici con bassi valori nominali di impedenza (19-300 Ω).

Livelli di uscita (a 1.000 Hz)

Tensione a circuito aperto*: -57,5 dBV/Pa (1,3 mV)

*1 Pa = 94 dB SPL

Polarità

Una pressione positiva sul diaframma produce una tensione positiva al piedino 2 rispetto al piedino 3 (vedi Figura 3)

Dimensioni totali

Vedi Figura 4

Peso netto

370 g

Variazioni

SM48

SM48S (con interruttore di alimentazione ON/OFF)

OMOLOGAZIONI

Contrassegnabile con il marchio CE. Conforme alla direttiva europea sulla compatibilità elettromagnetica 89/336/CEE. Conforme ai criteri sulle prestazioni e alle prove pertinenti specificati nella norma europea EN 55103 (1996) parti 1 e 2, per ambienti residenziali (E1) e industriali leggeri (E2).

ACCESSORI IN DOTAZIONE

Adattore regolabile A25D
Borsa 26A13

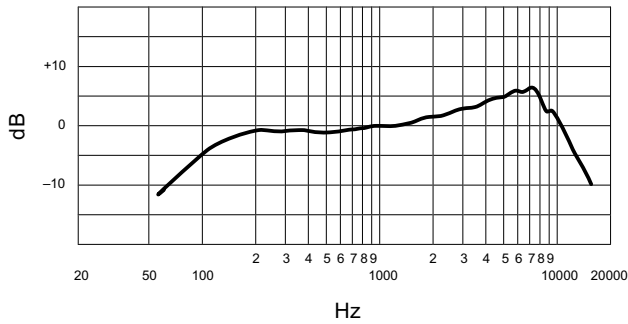
ACCESSORI OPTIONAL

Schemo antiviento..... A58WS
Base da tavoloS37A
Adattore antivibrazioniS39A
Cavo (7.6 m).....C25F

RECAMI

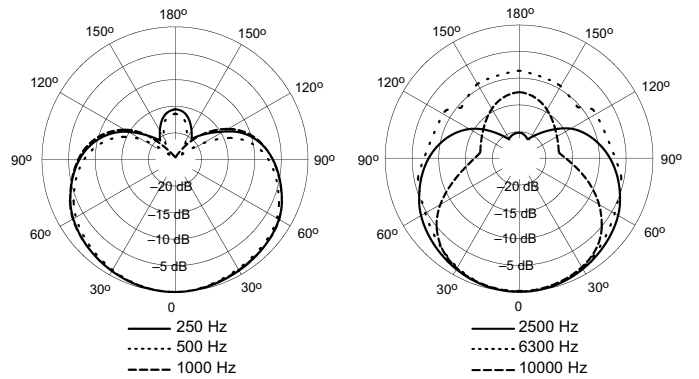
Cartuccia.....R136
Connettore..... RK40P
Gruppo griglia e schemoRK248G
Interruttore (SM48S).....RK81S

Per ulteriori informazioni sui ricambi o per assistenza, chiamare l'assistenza clienti della Shure al numero verde 1-880-516-2525 (solo negli stati Uniti). Fuori dagli Stati Uniti rivolgersi al rivenditore o ad un centro di assistenza autorizzato.



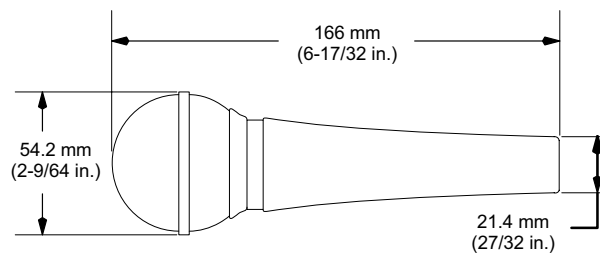
TYPICAL FREQUENCY RESPONSE
 COURBE DE REPOSE TYPIQUE
 TYPISCHES FREQUENZVERHALTEN
 RESPUESTA DE FRECUENCIA TIPICA
 TIPICA RISPOSTA IN FREQUENZA

FIGURE 1 – ABBILDUNG 1 – FIGURA 1



TYPICAL POLAR PATTERNS
 COURBE DE DIRECTIVITE TYPQUES
 TYPISCHE POLARCHARAKTERISTIK
 PATRONES DE CAPTACION POLAR TIPICOS
 TIPICI DIAGRAMMI POLARI

FIGURE 2 – ABBILDUNG 2 – FIGURA 2

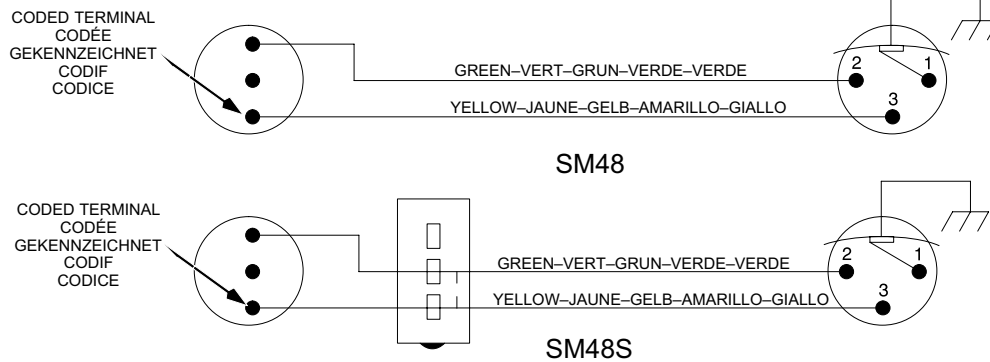


OVERALL DIMENSIONS – DIMENSIONS HORS TOUT
 GESAMTABMESSUNGEN – DIMENSIONES TOTALES – DIMENSIONI TOTALI

FIGURE 3 – ABBILDUNG 3 – FIGURA 3

CARTRIDGE – CARTOUCHE – KAPSEL
 CÁPSULA – CARTUCCIA

CONNECTOR – PRISE – ANSCHLUßKUPPLUNG
 ENCHUFE – CONNETTORE



INTERNAL CONNECTIONS – CONNEXIONES INTERNES
 INTERNE SCHALTUNGEN – CONEXIONES INTERNAS
 COLLEGIAMENTI INTERNI

FIGURE 4 – ABBILDUNG 4 – FIGURA 4



SHURE Incorporated <http://www.shure.com>
 United States, Canada, Latin America, Caribbean:
 5800 W. Touhy Avenue, Niles, IL 60714-4608, U.S.A.
 Phone: 847-600-2000 U.S. Fax: 847-600-1212 Intl Fax: 847-600-6446
 Europe, Middle East, Africa:
 Shure Europe GmbH, Phone: 49-7131-72140 Fax: 49-7131-721414
 Asia, Pacific:
 Shure Asia Limited, Phone: 852-2893-4290 Fax: 852-2893-4055