

**SONY**<sup>®</sup>

# Personal Audio System

## Système audio personnel

## Sistema de audio personal



SRS-X7

©2014 Sony Corporation Printed in China  
http://www.sony.net/

### English Personal Audio System

Before operating the system, please read this guide thoroughly and retain it for future reference.

#### Owner's Record

The serial number is located on the bottom. Record the serial number in the space provided below. Refer to them whenever you call upon your Sony dealer regarding this product.

Model No. SRS-X7

Serial No. \_\_\_\_\_

#### For customers in the USA

Please register this product on line at <http://www.sony.com/productregistration>. Proper registration will enable us to send you periodic updates about new products, services and other important announcements. Registering your product will also allow us to contact you in the unlikely event that the product needs adjustment or modification. Thank you.

### WARNING

#### To reduce the risk of fire or electric shock, do not expose this apparatus to rain or moisture.

To reduce the risk of fire, do not cover the ventilation opening of the apparatus with newspapers, tablecloths, curtains, etc. Do not place the naked flame sources such as lighted candles on the apparatus. To reduce the risk of fire or electric shock, do not expose this apparatus to dripping or splashing, and do not place objects filled with liquids, such as vases, on the apparatus. Do not install the appliance in a confined space, such as a bookcase or built-in cabinet. Do not expose batteries or apparatus with battery installed to an excessive heat such as sunshine, fire or the like. As the main plug is used to disconnect the system from the mains, connect the system to an easily accessible AC outlet. Should you notice an abnormality in the system, disconnect the main plug from AC outlet immediately. The system is not disconnected from the mains as long as it is connected to the AC outlet, even if the system itself has been turned off.

### CAUTION

You are cautioned that any changes or modifications not expressly approved in this manual could void your authority to operate this equipment.

The following FCC/IC statement applies only to the version of this model manufactured for sale in the USA and Canada. Other versions may not comply with FCC/IC technical regulations.

#### NOTE:

This equipment has been tested and found to comply with the limits for a Class B digital device, pursuant to Part 15 of the FCC Rules. These limits are designed to provide reasonable protection against harmful interference in a residential installation. This equipment generates, uses and can radiate radio frequency energy and, if not installed and used in accordance with the instructions, may cause harmful interference to radio communications. However, there is no guarantee that interference will not occur in a particular installation. If this equipment does cause harmful interference to radio or television reception, which can be determined by turning the equipment off and on, the user is encouraged to try to correct the interference by one or more of the following measures:

- Reorient or relocate the receiving antenna.
  - Increase the separation between the equipment and receiver.
  - Connect the equipment into an outlet on a circuit different from that to which the receiver is connected.
  - Consult the dealer or an experienced radio/TV technician for help.
- This equipment must not be co-located or operated in conjunction with any other antenna or transmitter.

This equipment complies with FCC/IC radiation exposure limits set forth for an uncontrolled environment and meets the FCC radio frequency (RF) Exposure Guidelines and RSS-102 of the IC radio frequency (RF) Exposure rules. This equipment should be installed and operated keeping the radiator at least 20cm or more away from person's body (excluding extremities: hands, wrists, feet and ankles). This Class B digital device complies with Part 15 of the FCC Rules and Canadian ICES-003. Operation is subject to the following two conditions: (1) this device may not cause harmful interference, and (2) this device must accept any interference received, including interference that may cause undesired operation.

If you have any questions about this product, you may call; Sony Customer Information Service Center 1-800-222-7669 or <http://www.sony.com>

Trade Name:	Declaration of Conformity
Model No.:	SONY
Responsible Party:	SRS-X7
Address:	Sony Electronics Inc. 16530 Via Esprillo, San Diego, CA 92127 USA 858-942-2230
Telephone No.:	
This device complies with Part 15 of the FCC Rules. Operation is subject to the following two conditions: (1) This device may not cause harmful interference, and (2) this device must accept any interference received, including interference that may cause undesired operation.	



The Caution Marking is put on the AC adaptor.

This symbol is intended to alert the user to the presence of uninsulated "dangerous voltage" within the product's enclosure that may be of sufficient magnitude to constitute a risk of electric shock to persons.

This symbol is intended to alert the user to the presence of important operating and maintenance (servicing) instructions in the literature accompanying the appliance

4-527-955-12(1)

Reference Guide	US
Guide de référence	FR
Guía de referencia	ES



\* 4 5 2 7 9 5 1 2 \* (1)

### Important Safety Instructions

- 1) Read these instructions.
- 2) Keep these instructions.
- 3) Heed all warnings.
- 4) Follow all instructions.
- 5) Do not use this apparatus near water.
- 6) Clean only with dry cloth.
- 7) Do not block any ventilation openings. Install in accordance with the manufacturer's instructions.
- 8) Do not install near any heat sources such as radiators, heat registers, stoves, or other apparatus (including amplifiers) that produce heat.
- 9) Do not defeat the safety purpose of the polarized or grounding-type plug. A polarized plug has two blades with one wider than the other. A grounding type plug has two blades and a third grounding prong. The wide blade or the third prong are provided for your safety. If the provided plug does not fit into your outlet, consult an electrician for replacement of the obsolete outlet.
- 10) Protect the power cord from being walked on or pinched particularly at plugs, convenience receptacles, and the point where they exit from the apparatus.
- 11) Only use attachments/accessories specified by the manufacturer.
- 12) Use only with the cart, stand, tripod, bracket, or table specified by the manufacturer, or sold with the apparatus. When a cart is used, use caution when moving the cart/apparatus combination to avoid injury from tip-over.



- 13) Unplug this apparatus during lightning storms or when unused for long periods of time.
- 14) Refer all servicing to qualified service personnel. Servicing is required when the apparatus has been damaged in any way, such as power-supply cord or plug is damaged, liquid has been spilled or objects have fallen into the apparatus, the apparatus has been exposed to rain or moisture, does not operate normally, or has been dropped.

#### For customers in the USA and Canada

##### RECYCLING LITHIUM-ION BATTERIES

Lithium-ion batteries are recyclable. You can help preserve our environment by returning your used rechargeable battery to the collection and recycling location nearest you. For more information regarding recycling of rechargeable batteries, call toll free 1-800-822-8837, or visit <http://www.call2recycle.org>.

Caution: Do not handle damaged or leaking Lithium-Ion batteries.

For the state of California, USA only  
**Perchlorate Material - special handling may apply. See [www.dtsc.ca.gov/hazardouswaste/perchlorate](http://www.dtsc.ca.gov/hazardouswaste/perchlorate)**  
**Perchlorate Material: Lithium battery contains perchlorate**

For all other batteries, please view the section on how to remove the battery from the product safely. Hand the battery over to the applicable collection point for the recycling of waste batteries. For more detailed information about recycling of this product or battery, please contact your local Civic Office, your household waste disposal service or the shop where you purchased the product.

#### For customers in Canada

This device complies with Industry Canada licence-exempt RSS standard(s). Operation is subject to the following two conditions: (1) this device may not cause interference, and (2) this device must accept any interference, including interference that may cause undesired operation of the device.

Under Industry Canada regulations, this radio transmitter may only operate using an antenna of a type and maximum (or lesser) gain approved for the transmitter by Industry Canada. To reduce potential radio interference to other users, the antenna type and its gain should be so chosen that the equivalent isotropically radiated power (e.i.r.p.) is not more than that necessary for successful communication.

### Precautions

#### On safety

The nameplate indicating Sony trademark, model number and electrical rating is located on the bottom exterior of this system. The MAC address is located on the bottom exterior of this system.

- Before operating the system, be sure that the operating voltage of the system is identical with that of your local power supply.

Where purchased	Operating voltage
All countries/regions	100 V ~ 240 V AC, 50 Hz/60 Hz

#### Notes on the AC adaptor

- When connecting or disconnecting the AC adaptor, turn off the system beforehand. Otherwise, it may cause malfunction.
- Use only the supplied AC adaptor. To avoid damaging the system, do not use any other AC adaptor.



Polarity of the plug

- Plug the AC adaptor into a nearby wall outlet (mains). In the case of a problem, unplug it from the wall outlet (mains) immediately.
- Do not install the AC adaptor in a confined space, such as a bookcase or built-in cabinet.
- To reduce the risk of fire or electric shock, do not expose the AC adaptor to dripping or splashing, and do not place objects filled with liquids, such as vases, on the AC adaptor.
- The validity of the CE marking is restricted to only those countries where it is legally enforced, mainly in the countries EEA (European Economic Area).

#### On placement

- Do not set the system in an inclined position.
- Do not leave the system in a location near heat sources, or in a place subject to direct sunlight, excessive dust, moisture, rain or mechanical shock.

This warranty is valid only in the United States. / Cette garantie ne s'applique qu'aux États-Unis. / Esta garantía sólo es válida en Estados Unidos.

**SONY**<sup>®</sup>

# LIMITED WARRANTY

Portable Audio

(U.S. Only)

Sony Electronics Inc. ("Sony") warrants this product against defects in material or workmanship for the time periods and as set forth below when purchased directly from Sony or a Sony Retailer. Pursuant to this Limited Warranty, Sony will, at its option, (i) repair the product using new or refurbished parts or (ii) replace the product with a new or refurbished product. For purposes of this Limited Warranty, "refurbished" means a product or part that has been returned to its original specifications. **In the event of a defect, these are your exclusive remedies.**

**Labor:** For a period of ninety (90) days from the original date of purchase of the product ("Labor Warranty"), Sony will, at its option, repair or replace with new or refurbished product, product determined to be defective. If Sony elects to replace the product after this Labor Warranty has expired but while the Parts Warranty below is still in effect, it will do so for the applicable labor charge.

**Parts:** For a period of one (1) year from the original date of purchase of product ("Parts Warranty"), Sony will supply new or refurbished replacement parts in exchange for parts determined to be defective.

This Limited Warranty covers only the hardware components packaged with the Product. It does not cover technical assistance for hardware or software usage and it does not cover any software products whether or not contained in the Product; any such software is provided "AS IS" unless expressly provided for in any enclosed software Limited Warranty. Please refer to the End User License Agreements included with the Product for your rights and obligations with respect to the software.

**Instructions:** To obtain warranty service, you must deliver the product, freight prepaid, in either its original packaging or packaging affording an equal degree of protection to the Sony authorized service facility specified. **It is your responsibility to backup any data, software or other materials you may have stored or preserved on your unit. It is likely that such data, software, or other materials will be lost or reformatted during service and Sony will not be responsible for any such damage or loss.** A dated purchase receipt from Sony or a Sony Retailer is required. For specific instructions on how to obtain warranty service for your product,

Visit Sony's Web Site:

[www.sony.com/support](http://www.sony.com/support)

Or call the **Sony Customer Information Service Center**  
**1-800-222-SONY (7669)**

For an accessory or part not available from your authorized dealer, call:

1-800-488-SONY (7669)

**Repair / Replacement Warranty:** This Limited Warranty shall apply to any repair, replacement part or replacement product for the remainder of the original Limited Warranty period or for ninety (90) days, whichever is longer. Any parts or product replaced under this Limited Warranty will become the property of Sony.

This Limited Warranty only covers product issues caused by defects in material or workmanship during ordinary consumer use; it does not cover product issues caused by any other reason, including but not limited to product issues due to commercial use, acts of God, misuse, limitations of technology, or modification of or to any part of the Sony product or product purchased from other than Sony or a Sony Retailer. To determine if a retailer is part of the Sony Retailer Network, please contact Sony's Customer Service Call Center or go to [www.sony.com/support](http://www.sony.com/support). This Limited Warranty does not cover Sony products sold AS IS or WITH ALL FAULTS or consumables (such as fuses or batteries). This Limited Warranty is invalid if the factory-applied serial number has been altered or removed from the product. This Limited Warranty is valid only in the United States.

**LIMITATION ON DAMAGES:** SONY SHALL NOT BE LIABLE FOR ANY INCIDENTAL OR CONSEQUENTIAL DAMAGES FOR BREACH OF ANY EXPRESS OR IMPLIED WARRANTY ON THIS PRODUCT.

**DURATION OF IMPLIED WARRANTIES:** EXCEPT TO THE EXTENT PROHIBITED BY APPLICABLE LAW, ANY IMPLIED WARRANTY OF MERCHANTABILITY OR FITNESS FOR A PARTICULAR PURPOSE ON THIS PRODUCT IS LIMITED IN DURATION TO THE DURATION OF THIS WARRANTY.

Some states do not allow the exclusion or limitation of incidental or consequential damages, or allow limitations on how long an implied warranty lasts, so the above limitations or exclusions may not apply to you. This Limited Warranty gives you specific legal rights and you may have other rights which vary from state to state.

#### On operation

- Do not insert any small objects, etc., into the jacks or ventilation hole on the rear of the system. The system may short out or malfunction.

#### On cleaning

- Do not use alcohol, benzine, or thinner to clean the cabinet.

#### Others

- If you have any questions or problems concerning this system that are not covered in this manual, please consult your nearest Sony dealer.
- When disposing of or giving away this system, make sure to initialize it to reset all settings to the factory defaults.
- **On Copyrights**
  - SONY, Sony Entertainment Network and the logos are trademarks of Sony Corporation.
  - Windows, the Windows logo, and Windows Media are either registered trademarks or trademarks of Microsoft Corporation in the United States and/or other countries.
  - This product is protected by certain intellectual property rights of Microsoft Corporation. Use or distribution of such technology outside of this product is prohibited without a license from Microsoft or an authorized Microsoft subsidiary.
  - Pandora, the Pandora logo, and the Pandora trade dress are trademarks or registered trademarks of Pandora Media, Inc., used with permission.
  - Spotify and Spotify logos are trademarks of the Spotify Group.
  - Apple, the Apple logo, AirPlay, iPad, iPhone, iPod, iPod nano, iPod touch, iTunes, Mac, and OS X are trademarks of Apple Inc., registered in the U.S. and other countries. App Store is a service mark of Apple Inc.
  - "Made for iPod," "Made for iPhone," and "Made for iPad" mean that an electronic accessory has been designed to connect specifically to iPod, iPhone, or iPad, respectively, and has been certified by the developer to meet Apple performance standards. Apple is not responsible for the operation of this device or its compliance with safety and regulatory standards. Please note that the use of this accessory with iPod, iPhone, or iPad may affect wireless performance.
  - Macintosh and Mac OS are trademarks of Apple Inc., registered in the U.S. and other countries.

• **WiFi**<sup>®</sup> is a mark of the Wi-Fi Alliance. • **Wi-Fi**<sup>®</sup>, Wi-Fi Protected Access<sup>™</sup> and Wi-Fi Alliance<sup>®</sup> are registered marks of the Wi-Fi Alliance.

• **Wi-Fi CERTIFIED**<sup>™</sup>, **WPA**<sup>™</sup>, **WPA2**<sup>™</sup> and **Wi-Fi Protected Setup**<sup>™</sup> are marks of the Wi-Fi Alliance.

• **DLNA**<sup>™</sup>, the **DLNA Logo** and **DLNA CERTIFIED**<sup>™</sup> are trademarks, service marks, or certification marks of the Digital Living Network Alliance.

• © 2013 CSR plc and its group companies.

The aptX<sup>®</sup> mark and the aptX logo are trade marks of CSR plc or one of its group companies and may be registered in one or more jurisdictions.

• "S-Master" is a trademark of Sony Corporation.

• **ClearAudio**+ and **ClearAudio**+ are trademarks of Sony Corporation.

• "DSEE" and **DSEE** are trademarks of Sony Corporation.

• MPEG Layer-3 audio coding technology and patents licensed from Fraunhofer IIS and Thomson.

- The BLUETOOTH<sup>®</sup> word mark and logos are owned by the Bluetooth SIG, Inc. and any use of such marks by Sony Corporation is under license. Other trademarks and trade names are those of their respective owners.
- The N Mark is a trademark or registered trademark of NFC Forum, Inc. in the United States and in other countries.
- Google Play and Android are trademarks of Google Inc.
- "Xperia" and "Xperia Tablet" are trademarks of Sony Mobile Communications AB.
- WALKMAN<sup>®</sup> and WALKMAN<sup>®</sup> logo are registered trademarks of Sony Corporation.
- The system names and product names indicated in this manual are generally the trademarks or registered trademarks of the manufacturer. <sup>™</sup> and <sup>®</sup> marks are omitted in this manual.

## Specifications

### Section for Speaker

#### Speakers

Full range speaker: Approx. 46 mm (1 7/8 inches) diameter × 2 / Subwoofer: Approx. 62 mm (2 3/8 inches) diameter × 1

### Section for Amplifier

#### POWER OUTPUT AND TOTAL HARMONIC DISTORTION: Power Output (reference)

#### Using AC adaptor

Full range speaker: 8W+8W (at 1% harmonic distortion, 1 kHz, 8 Ω) Subwoofer: 16W (at 1% harmonic distortion, 100 Hz, 4 Ω)

## What is BLUETOOTH wireless technology?

BLUETOOTH wireless technology is a short-range wireless technology that enables wireless data communication between digital devices,

#### Using battery

Full range speaker: 3W+3W (at 1% harmonic distortion, 1 kHz, 8 Ω) Subwoofer: 6W (at 1% harmonic distortion, 100 Hz, 4 Ω)

### Section for Network

#### Compatible standards

IEEE 802.11 b/g (WEP 64 bit, WEP 128 bit, WPA/WPA2-PSK (AES), WPA/WPA2-PSK (TKIP))

#### Radio frequency

2.412 GHz ~ 2.462 GHz (2.4 GHz 15M Band, 11 Channels) / Channel 1 ~ Channel 11

### Section for BLUETOOTH

#### Output

BLUETOOTH Specification Power Class 2

#### Maximum communication range

Line of sight Approx. 10 m\*1

#### Radio frequency

2.4 GHz band (2.4000 GHz ~ 2.4835 GHz)

#### Communication System

BLUETOOTH Specification Version 3.0

#### Compatible BLUETOOTH Profiles\*2

A2DP (Advanced Audio Distribution Profile) / AVRCP (Audio Video Remote Control Profile)

#### Supported codec\*3

SBC (Subband Codec)\*4 / AAC\*5 / aptX

#### Transmission bandwidth (A2DP)

20 Hz ~ 20,000 Hz (with 44.1 kHz sampling)

\*1 The actual range will vary depending on factors such as obstacles between devices, magnetic fields around a microwave oven, static electricity, reception sensitivity, aerial's performance, operating system, software application, etc.

\*2 BLUETOOTH standard profiles indicate the purpose of BLUETOOTH communication between devices.

\*3 Codec: Audio signal compression and conversion format

\*4 Subband Codec

\*5 Advanced Audio Coding

### General

#### AUDIO IN

ANALOG Ø 3.5 mm stereo mini jack

#### Network port

10BASE-T/100BASE-TX (Auto Polarity)

#### DC OUT

USB jack Type A (for charging the battery of a connected device) (5 V, Max. 1.5 A; labeled on bottom of system)

#### Power

DC 18V (using the supplied AC adaptor connected to AC 100V-240V, 50Hz/60Hz power supply) or, using built-in lithium-ion battery

**Usage life of lithium-ion battery (when the NETWORK OFF/ON switch is OFF)**  
Approx. 6 hours

**Usage life of lithium-ion battery (when the NETWORK OFF/ON switch is ON)**  
Approx. 3 hours

#### Operating temperature

5 °C to 35 °C (41 °F to 95 °F)

**Dimensions (w/h/d) (including projecting parts and controls)**  
Approx. 300 mm × 132 mm × 60 mm (11 7/8 inches × 5 2/8 inches × 2 3/8 inches)

#### Mass

Approx. 1.9kg (4 lb 3 oz)

#### Supplied accessories:

AC power cord (1) / AC adaptor (AC-E1826L) (1) / Start Guide "Enjoy Music over Your Wi-Fi Network" / Reference Guide, warranty card (this document) / Warranty card

Design and specifications are subject to change without notice.

### Compatible iPhone/iPad/iPod models

Compatible model	AirPlay	BLUETOOTH
iPhone 5s	✓	✓
iPhone 5c	✓	✓
iPhone 5	✓	✓
iPhone 4s	✓	✓
iPhone 4	✓	✓
iPhone 3GS	✓	✓
iPad Air*	✓	✓
iPad mini with Retina display*	✓	✓
iPad (4th generation)*	✓	✓
iPad mini*	✓	✓
iPad (3rd generation)*	✓	✓
iPad 2*	✓	✓
iPad*	✓	✓
iPod touch (5th generation)	✓	✓
iPod touch (4th generation)	✓	✓
iPod touch (3rd generation)*	✓	✓
iPod nano (7th generation)*	✓	✓

as of January, 2014

\* The "SongPal" application does not support iPod touch (3rd generation) or iPod nano. The "SongPal" application does not support iPad (as of January, 2014).

AirPlay works with iPhone, iPad, and iPod touch with iOS 4.3.3 or later. Mac with OS X Mountain Lion, and Mac and PC with iTunes 10.2.2 or later.

#### Note

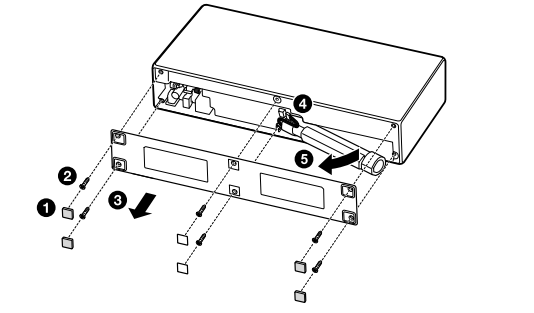
Sony cannot accept responsibility in the event that data recorded to iPhone/iPad/iPod is lost or damaged when using an iPhone/iPad/iPod connected to this system.

### Disposing of the System

For environment protection, remove the built-in lithium-ion battery pack from the system. Before removing the battery, drain the battery by removing the AC adaptor and using the system only with the battery.

**Take out the lithium-ion battery for recycling. Do not open the cabinet other than when disposing of the system.**

- 1 Turn off the system and remove the AC adaptor.
- 2 Detach the cover of the rear of the system to remove the battery pack.
  - ➊ Remove the 6 rubber covers from the bottom of the system.
  - ➋ Remove the 6 screws.
  - ➌ Remove the cover.
  - ➍ Remove the connector plug from the system.
  - ➎ Remove the battery.



#### Note

- Be careful not to damage the cord cover with metallic tweezers, etc. when you remove the battery pack from the system.

Conçu pour  
iPod iPhone iPad

### Français Système audio personnel

Avant de faire fonctionner le système, veuillez lire ce guide en entier et conservez-le pour référence future.

#### Référence du propriétaire

Le numéro de série est situé sous l'appareil. Notez le numéro de série dans l'espace prévu ci-dessous. Consultez-le dès que vous faites appel à votre détaillant Sony au sujet de ce produit.

N° de modèle SRS-X7

N° de série \_\_\_\_\_

**Pour les clients aux États-Unis**  
Veuillez enregistrer ce produit en ligne sur <http://www.sony.com/productregistration>. Un enregistrement correct nous permettra de vous envoyer des mises à jour périodiques sur nos nouveaux produits, services et autres annonces importantes. Enregistrer votre produit nous permettra également de vous contacter dans le cas improbable où le produit nécessiterait un réglage ou une modification. Merci.

### AVERTISSEMENT

**Afin de réduire les risques d'incendie ou de choc électrique, n'exposez pas cet appareil à la pluie ni à l'humidité.**

Pour réduire le risque d'incendie, ne couvrez pas l'ouverture de ventilation de l'appareil avec des journaux, des nappes, des rideaux, etc. Ne placez pas des sources de flamme nue telles que des bougies allumées sur l'appareil.

Pour réduire le risque d'incendie ou de choc électrique, n'exposez pas cet appareil à des égouttements ou à des éclaboussements et ne placez pas des objets remplis de liquides, tels que des vases, sur l'appareil.

N'installez pas l'appareil dans un espace restreint, comme une bibliothèque ou un meuble encastré.

N'exposez pas les piles ou l'appareil avec pile installée à une chaleur excessive telle que le soleil, le feu ou similaires.

Comme la fiche principale sert à débrancher le système de la source d'alimentation, raccordez le système à une prise CA facilement accessible. Si vous observez une anomalie, débranchez immédiatement le système de la prise CA. L'appareil n'est pas déconnecté de la source d'alimentation tant qu'il est branché à la prise

14) Tout entretien ne peut être effectué que par un technicien qualifié. Un entretien est nécessaire si l'appareil a été endommagé d'une quelconque manière, par exemple si le cordon ou la fiche d'alimentation est endommagé, si du liquide a pénétré dans l'appareil ou si des objets sont tombés à l'intérieur de celui-ci, s'il a été exposé à la pluie ou à l'humidité, s'il ne fonctionne pas normalement ou s'il a subi une chute.

**Pour les clients aux États-Unis et au Canada**

<b>RECYCLAGE DES ACCUMULATEURS AUX IONS DE LITHIUM</b>
<span></span> <p>Les accumulateurs aux ions de lithium sont recyclables.</p> <p><b>Vous pouvez contribuer à préserver l'environnement en apportant les piles usées dans un point de collection et recyclage le plus proche.</b></p> <p>Pour plus d'informations sur le recyclage des accumulateurs, téléphonez le numéro gratuit 1-800-822-8837 (États-Unis et Canada uniquement), ou visitez <span>http://www.call2recycle.org</span></p> <p>Avertissement: Ne pas utiliser des accumulateurs aux ions de lithium qui sont endommagées ou qui fuient.</p>
<div><span><span></span></span></div> <div><b> Pour l'État de Californie, États-Unis uniquement Matière au perchlorate - manipuler avec précaution, Voir <span>www.dhs.gov/hazardouswaste/perchlorate</span> Matière au perchlorate<span> </span>: Les piles au lithium contiennent du perchlorate</b></div>

Pour toutes les autres piles, veuillez voir la section sur la façon de retirer la pile du produit sans risque. Remettez la pile à un point de collecte approprié pour le recyclage des piles usagées. Pour des informations plus détaillées sur le recyclage de ce produit ou de la pile, veuillez communiquer avec votre municipalité, votre service d'élimination des déchets domestiques ou le magasin où vous avez acheté le produit.

**Pour les clients au Canada**

Le présent appareil est conforme aux CNR d'Industrie Canada applicables aux appareils radio exempts de licence. L'exploitation est autorisée aux deux conditions suivantes : (1) l'appareil ne doit pas produire de brouillage, et (2) l'utilisateur de l'appareil doit accepter tout brouillage radioélectrique subi, même si le brouillage est susceptible d'en compromettre le fonctionnement.

Conformément à la réglementation d'Industrie Canada, le présent émetteur radio peut fonctionner avec une antenne d'un type et d'un gain maximal (ou inférieur) approuvé pour l'émetteur par Industrie Canada. Dans le but de réduire les risques de brouillage radioélectrique à l'intention des autres utilisateurs, il faut choisir le type d'antenne et son gain de sorte que la puissance isotrope rayonnée équivalente (p.i.r.e.) ne dépasse pas l'intensité néssaire à l'établissement d'une communication satisfaisante.

## Précautions

**Sécurité**

La plaqué signalétique indiquant la marque commerciale Sony, le numéro de modèle et les caractéristiques électriques se trouve sous le système, à l'extérieur.

L'adresse MAC se trouve sous le système, à l'extérieur.

• Avant d'utiliser le système, vérifiez si sa tension d'alimentation est identique à votre alimentation électrique.

Zone d'achat	Tension de fonctionnement
Tous les pays/toutes les régions	100 V – 240 V CA, 50/60 Hz/60 Hz

**Remarques sur l'adaptateur CA**

• Lorsque vous raccordez ou débranchez l'adaptateur CA, mettez d'abord le système hors tension. Sinon, vous risquez de provoquer un dysfonctionnement.

• Servez-vous uniquement de l'adaptateur CA fourni. Pour éviter d'endommager le système, n'utilisez aucun autre adaptateur CA.



Polarité de la fiche

- Branchez l'adaptateur secteur à la prise murale la plus proche. En cas de dysfonctionnement, retirez immédiatement la fiche de la prise murale.
- N'installez pas l'adaptateur CA dans un espace restreint, comme une bibliothèque ou un meuble encastré.
- Pour réduire les risques d'incendie ou d'électrocution, n'exposez pas l'adaptateur CA à des gouttes ou des éclaboussures et ne placez pas d'objets remplis de liquides, tels que des vases sur l'adaptateur CA.
- La validité du marquage CE est limitée uniquement aux pays dans lesquels il fait force de loi, c'est-à-dire principalement dans les pays de l'EEE (Espace Économique Européen).

**Emplacement**

- N'installez pas le système en position inclinée.
- Ne placez pas le système à proximité d'une source de chaleur ou dans un endroit exposé aux rayons directs du soleil, à une poussière excessive ou à des chocs mécaniques et gardez-le à l'abri de l'humidité ainsi que de la pluie.

**Fonctionnement**

• N'insérez pas de petits objets, etc., dans les prises ou dans l'orifice de ventilation situé à l'arrière du système. Cela risquerait de provoquer un court-circuit ou un dysfonctionnement du système.

**Entretien**

• N'utilisez pas d'alcool, d'essence ou de diluant pour nettoyer le boîtier.

**Autres**

- Si vous avez des questions ou des problèmes concernant ce système, qui ne sont pas abordés dans ce mode d'emploi, contactez votre détaillant Sony le plus proche.
- Au moment de mettre au rebut ou donner ce système, assurez-vous de l'initialiser afin de réinitialiser tous les réglages aux valeurs par défaut.

**À propos des droits d'auteur**

- SONY Entertainment Network et leurs logos sont des marques de commerce de Sony Corporation.
- Windows, le logo Windows et Windows Media sont des marques déposées ou des marques commerciales de Microsoft Corporation aux États-Unis et/ou dans d'autres pays.
- Ce produit est protégé par des droits de propriété intellectuelle de Microsoft Corporation. Toute utilisation ou diffusion de la technologie décrite sortant du cadre de l'utilisation de ce produit est interdite sans licence accordée par Microsoft ou une filiale autorisée de Microsoft.
- Pandora, le logo Pandora et la présentation Pandora sont des marques commerciales ou des marques déposées de Pandora Media, Inc., utilisées avec permission.
- Spotify et les logos Spotify sont des marques commerciales de Spotify Group.
- Apple, le logo Apple, AirPlay, iPad, iPhone, iPod, iPod nano, iPod touch, iTunes, Mac et OS X sont des marques commerciales de Apple Inc., déposées aux États-Unis et dans d'autres pays. App Store est une marque de service d'Apple Inc.
- « Made for iPod », « Made for iPhone » et « Made for iPad » signifient qu'un accessoire électronique a été conçu pour être connecté spécifiquement à un iPod, un iPhone ou un iPad, et qu'il a été certifié par le développeur comme étant conforme aux normes de performances Apple. Apple n'est pas responsable du bon fonctionnement de cet appareil ni de sa conformité aux normes réglementaires et de sécurité. Veuillez noter que l'utilisation de cet accessoire avec un iPod, un iPhone ou un iPad peut affecter les performances des transmissions sans fil.

- Macintosh et Mac OS sont des marques commerciales d'Apple Inc., déposées aux États-Unis et dans d'autres pays.
- « **WiFi**™ » est une marque de Wi-Fi Alliance.
- « Wi-Fi Protected Access™ » et Wi-Fi Alliance™ sont des marques déposées de Wi-Fi Alliance.
- Wi-Fi CERTIFIED™, WPA™, WPA2™ et Wi-Fi Protected Setup™ sont des marques de Wi-Fi Alliance.
- DLNA™, le logo DLNA et DLNA CERTIFIED™ sont des marques commerciales, des marques de service ou des marques de certification de Digital Living Network Alliance.
- ©2013 CSR plc et ses sociétés affiliées. La marque aptX® et le logo aptX sont des marques de commerce de CSR plc ou d'une de ses sociétés affiliées et peuvent être déposés dans une ou plusieurs juridictions.
- « S-Master » est une marque commerciale de Sony Corporation.
- ClearAudio+ et **ClearAudio+** sont des marques commerciales de Sony Corporation.
- « DSEE » et **DSEE** sont des marques commerciales de Sony Corporation.

- Licence de la technologie de codage audio MPEG Layer-3 et des logiciels obtenue de Fraunhofer IIS et Thomson.
- La marque de mot BLUETOOTH et les logos sont la propriété de Bluetooth SIG, Inc. et l'utilisation de ces marques par Sony Corporation est effectuée sous licence. Les autres marques commerciales et noms commerciaux appartiennent à leurs propriétaires respectifs.
- La marque N est une marque commerciale ou une marque déposée de NFC Forum, Inc. aux États-Unis et dans d'autres pays.
- Google Play et Android sont des marques de commerce de Google Inc..
- « Xperia » et « Xperia Tablet » sont des marques commerciales de Sony Mobile Communications AB.
- WALKMAN® et le logo WALKMAN® sont des marques déposées de Sony Corporation.
- Les noms de systèmes et de produits indiqués dans ce manuel sont généralement des marques commerciales ou déposées de leurs fabricants.
- Les indications ™ et ® ne sont pas mentionnées dans ce manuel.

## Qu'est-ce que la technologie sans fil BLUETOOTH?

La technologie sans fil BLUETOOTH est une technologie sans fil à courte portée qui permet la transmission de données sans fil entre des dispositifs numériques tels qu'un ordinateur et un appareil photo numérique. La technologie sans fil BLUETOOTH fonctionne avec une portée approximative de 10 m (environ 30 pi).

Raccorder deux dispositifs selon les besoins est fréquent, mais certains dispositifs peuvent être raccordés à plusieurs dispositifs en même temps.

Vous n'avez pas besoin d'utiliser un câble pour la connexion et il n'est pas nécessaire que les dispositifs soient en face l'un de l'autre, comme c'est le cas avec la technologie infrarouge. Vous pouvez, par exemple, utiliser un dispositif dans un sac ou une poche. La norme BLUETOOTH est une norme internationale prise en charge par des milliers de sociétés partout dans le monde et utilisée par divers sociétés dans le monde entier.

**Portée maximale de communication**

La portée maximale de communication peut être réduite dans les conditions suivantes.

- Il y a un obstacle tel qu'une personne, du métal ou un mur entre le système et le dispositif BLUETOOTH.
- Un dispositif de réseau local sans fil est en utilisation près du système.
- Un four à micro-ondes est en utilisation près du système.
- Un dispositif qui produit du rayonnement électromagnétique est en utilisation près du système.

**Interférence par d'autres dispositifs**

Étant donné que les dispositifs BLUETOOTH et les réseaux locaux sans fil (IEEE802.11b/g) utilisent la même fréquence, une interférence de micro-onde peut se produire et avoir pour résultat la détérioration de la vitesse de transmission, du bruit ou une connexion incorrecte, si le système est utilisé près d'un dispositif de réseau local sans fil. En pareil cas, faites ce qui suit.

- Utilisez le système à au moins 10 m (environ 30 pi) du dispositif de réseau local sans fil.
- Si le système est utilisé à moins de 10 m (environ 30 pi) d'un dispositif de réseau local sans fil, éteignez le dispositif de réseau local sans fil.

**Interférence à d'autres dispositifs**

- Les micro-ondes émises par un dispositif BLUETOOTH peuvent affecter le fonctionnement de dispositifs électroniques médicaux. Éteignez le système et les autres dispositifs BLUETOOTH dans les emplacements suivants puisqu'ils peuvent provoquer un accident.
  - là où un gaz inflammable est présent, dans un hôpital, un train, un avion ou une station-service
  - près de portes automatiques ou d'une alarme d'incendie

**Remarques**

• Pour pouvoir utiliser la fonction BLUETOOTH, le dispositif BLUETOOTH à été raccordez doit avoir le même profil que le système.

Noter également que même si c'est le même profil, les fonctions des dispositifs peuvent varier selon leurs caractéristiques.

• A cause de la caractéristique de la technologie sans fil BLUETOOTH, le son émis sur le système est légèrement en retard par rapport au son émis sur le dispositif BLUETOOTH pendant une conversation au téléphone ou l'écoute de la musique.

- Ce système prend en charge les capacités de sécurité qui sont conformes aux normes BLUETOOTH pour fournir une connexion sécurisée quand la technologie sans fil BLUETOOTH est utilisée, mais la sécurité peut ne pas être suffisante selon les circonstances. Soyez prudent lorsque vous communiquez en utilisant la technologie sans fil BLUETOOTH.
- Nous n'assumons aucune responsabilité pour la fuite d'information pendant une communication BLUETOOTH.
- Un dispositif ayant la fonction BLUETOOTH doit se conformer à la norme BLUETOOTH spécifiée par Bluetooth SIG et doit être authentifié. Même si le dispositif raccordez se conforme à la norme BLUETOOTH mentionnée ci-dessus, quelques dispositifs peuvent ne pas être raccordés ou fonctionner correctement, selon les caractéristiques ou les spécifications du dispositif.
- Des bruits ou des sifflements sonores peuvent se produire selon le dispositif BLUETOOTH raccordez au système, l'environnement de transmission ou l'environnement d'utilisation.

## Spécifications

### Section pour haut-parleur

**Haut-parleurs**

Haut-parleur pleine gamme : Environ 46 mm (1 7/8 po) de diamètre × 2 / Haut-parleur d'extrêmes graves : Environ 62 mm (2 3/8 po) de diamètre × 1

### Section pour amplificateur

**PUISSANCE DE SORTIE ET DISTORSION HARMONIQUE TOTALE :**
**PUISSANCE de sortie (référence)**

**Utilisation de l'adaptateur CA**

Haut-parleur pleine gamme : 8 W+8 W (avec 1 % de distorsion harmonique, à 1 kHz, 8 Ω)
Haut-parleur d'extrêmes graves : 16 W (avec 1 % de distorsion harmonique, à 100 Hz, 4 Ω)

**Utilisation de la pile**

Haut-parleur pleine gamme : 3 W+3 W (avec 1 % de distorsion harmonique, à 1 kHz, 8 Ω)
Haut-parleur d'extrêmes graves : 6 W (avec 1 % de distorsion harmonique, à 100 Hz, 4 Ω)

### Section pour réseau

**Normes compatibles**
**IEEE 802.11 b/g** (WEP 64 bits, WEP 128 bits, WPA/WPA2-PSK (AES), WPA/WPA2-PSK (TKIP))

**Fréquence radio**
2,412 GHz – 2,462 GHz (Bande 2,4 GHz ISM, 11 canaux) / Canal 1 – Canal 11

### Section pour BLUETOOTH

**Sortie**
Spécification BLUETOOTH pour classe de puissance 2

**Portée maximale de communication**

En ligne directe, environ 10 m<sup>1</sup>

**Fréquence radio**
Bande 2,4 GHz (2,4000 GHz – 2,4835 GHz)

**Système de communication**

Spécification BLUETOOTH version 3.0

**Profils BLUETOOTH compatibles**<sup>2</sup>
A2DP (Advanced Audio Distribution Profile) / AVRCP (Audio Video Remote Control Profile)

**Codex pris en charge**<sup>3</sup>
SBC (Codec de sous-bande)<sup>4</sup> / AAC<sup>5</sup> / aptX

**Plage de transmission (A2DP)**
20 Hz – 20 000 Hz (avec fréquence d'échantillonnage de 44,1 kHz)

<sup>[1]</sup> La portée réelle varie en fonction de nombreux facteurs, tels que la présence d'obstacles entre les dispositifs, les champs magnétiques autour des fours micro-ondes, l'électricité statique, la sensibilité de la réception, les performances de l'antenne, le système d'exploitation ou les applications logicielles, etc.

<sup>[2]</sup> Les profils BLUETOOTH standard indiquent la fonction des communications BLUETOOTH entre les dispositifs.

<sup>[3]</sup> Codex : Format de conversion et de compression du signal audio

<sup>[4]</sup> Codec de sous-bande

<sup>[5]</sup> Codage audio avancé

#### Généralités

**AUDIO IN**

Mini-prise stéréo ANALOGIQUE Φ 3,5 mm

**Port réseau**
10BASE-T/100BASE-TX (Polarité automatique)

**Sortie CC**

Prise USB de type A (pour charger la pile d'un dispositif raccorde) (5 V, max.1,5 A ; indiquée dans le bas du système)

**Alimentation**

18 V CC (lors de l'utilisation de l'adaptateur CA fourni raccordez à une source d'alimentation CA 100 V-240 V, 50 Hz/60 Hz) ou lors de l'utilisation de la pile au lithium-ion intégrée

**Autonomie de la pile au lithium-ion (lorsque le commutateur NETWORK OFF/ON est réglé à OFF)**
Environ 6 heures

**Autonomie de la pile au lithium-ion (lorsque le commutateur NETWORK OFF/ON est réglé à ON)**
Environ 3 heures

**Température d'opération**
5 °C à 35 °C (41 °F à 95 °F)

**Dimensions (l/h/p) (parties saillantes et commandes comprises)**

Environ 300 mm × 132 mm × 60 mm (11 7/8 po × 5 2/8 po × 2 3/8 po)

**Masse**
Environ 1,9 kg (4 lb 3 oz)

**Accessoires fournis :**

Cordon d'alimentation CA (1) / Adaptateur CA (AC-E1826L) (1) / Guide de démarrage + Apprécier la musique sur votre réseau Wi-Fi + / Guide de référence, carte de garantie (ce document) / Carte de garantie

La conception et les caractéristiques sont sujettes à modifications sans préavis.

#### Modèles de iPhone/iPad/iPod compatibles

Modèle compatible	AirPlay	BLUETOOTH
iPhone 5s	<div><span>✓</span></div>	<div><span>✓</span></div>
iPhone 5c	<div><span>✓</span></div>	<div><span>✓</span></div>
iPhone 5	<div><span>✓</span></div>	<div><span>✓</span></div>
iPhone 4s	<div><span>✓</span></div>	<div><span>✓</span></div>
iPhone 4	<div><span>✓</span></div>	<div><span>✓</span></div>
iPhone 3GS	<div><span>✓</span></div>	<div><span>✓</span></div>
iPad Air*	<div><span>✓</span></div>	<div><span>✓</span></div>
iPad mini avec écran Retina*	<div><span>✓</span></div>	<div><span>✓</span></div>
iPad (4e génération)*	<div><span>✓</span></div>	<div><span>✓</span></div>
iPad mini*	<div><span>✓</span></div>	<div><span>✓</span></div>
iPad (3e génération)*	<div><span>✓</span></div>	<div><span>✓</span></div>
iPad 2*	<div><span>✓</span></div>	<div><span>✓</span></div>
iPad*	<div><span>✓</span></div>	<div><span>✓</span></div>
iPod touch (5e génération)	<div><span>✓</span></div>	<div><span>✓</span></div>
iPod touch (4e génération)	<div><span>✓</span></div>	<div><span>✓</span></div>
iPod touch (3e génération)*	<div><span>✓</span></div>	<div><span>✓</span></div>
iPod nano (7e génération)*	<div><span>✓</span></div>	<div><span>✓</span></div>

en date de janvier, 2014

\* L'application « SongPal » ne prend pas en charge les iPod touch (3e génération) ou iPod nano. L'application « SongPal » ne prend pas en charge les iPad (en date de janvier, 2014).

AirPlay fonctionne avec les iPhone, iPad et iPod touch avec iOS 4.3.3 ou version ultérieure, les Mac avec OS X Mountain Lion, ainsi que les Mac et PC avec iTunes 10.2.2 ou version ultérieure.

**Remarque**

Sony décline toute responsabilité en cas de perte ou d'endommagement des données enregistrées sur un iPhone/iPad/ iPod lors de l'utilisation d'un iPhone/iPad/iPod raccordez à ce système.

## Mise au rebut du système

Pour protéger l'environnement, retirez la batterie au lithium-ion intégrée du système.

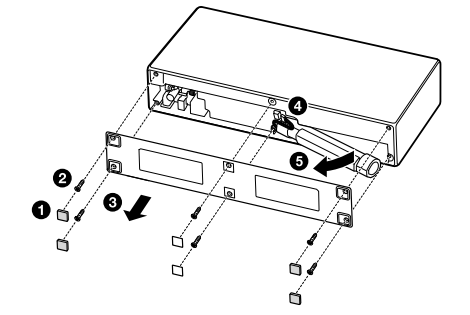
Avant de retirer la batterie, videz la batterie en retirant l'adaptateur CA et en utilisant le système uniquement avec la batterie.

**Retirez la batterie au lithium-ion pour la recycler. N'ouvrez le boîtier que lors de la mise au rebut du système.**

1 Éteignez le système et retirez l'adaptateur CA.

2 Enlevez le couvercle situé à l'arrière du système pour retirer la batterie.

- Retirez les 6 couvercles en caoutchouc situés sous le système.
- Retirez les 6 vis.
- Retirez le couvercle.
- Retirez la fiche de connecteur du système.
- Retirez la batterie.



**Remarque**

- Assurez-vous de ne pas endommager le couvercle de cordon avec des pinces métalliques, etc. lorsque vous retirez la batterie du système.

#### Español Sistema de audio personal

Antes de operar el sistema, lea esta guía cuidadosamente y guárdela para consultas en el futuro.

**Registro del propietario**

El número de serie se encuentra en la parte inferior.
Anote el número de serie en el espacio provisto a continuación.
Consultados cuando llame a su distribuidor Sony en relación con este producto.

N.º de modelo SRS-X7

N.º de serie \_\_\_\_\_

<b>Para clientes de EE. UU.</b> <p>Registre este producto en línea en la página <span>http://www.sony.com/productregistration</span> Un registro adecuado nos permitirá enviarte de manera periódica correos electrónicos acerca de productos nuevos, servicios y otras noticias importantes. Además, registrar el producto nos permitirá ponernos en contacto con usted en caso de que el producto necesite algún ajuste o modificación. Gracias.</p>
--

### ADVERTENCIA

**Para reducir el riesgo de incendio o descarga eléctrica, no exponga este aparato a la lluvia ni a la humedad.**

Para reducir el riesgo de incendio, no cubra los conductos de ventilación de aparato con periódicos, manteles, cortinas, etc. No coloque fuentes de llama directa como velas encendidas sobre el aparato.

Para reducir el riesgo de incendio o descarga eléctrica, no exponga este aparato al agua en forma de gotas o salpicaduras y no coloque objetos llenos de líquido, como vasos, sobre éste.
No sitúe el aparato en un espacio cerrado, como una estantería o un armario empotrado.

No exponga las baterías o el aparato con las baterías puestas a fuentes de calor excesivo como la luz del sol, el fuego o similares.
Puesto que el enchufe principal se utiliza para desconectar el sistema de led eléctrica, conecte el sistema a una toma de corriente de ca de fácil acceso. Si detecta algún funcionamiento anormal en el sistema, desconecte el enchufe principal de la toma de corriente de ca inmediatamente.

La unidad no estará desconectada de la fuente de alimentación de ca mientras esté conectada a la toma de pared, aunque esté apagada.

### PRECAUCIÓN

Se advierte que la realización de cambios o modificaciones no aprobados explícitamente en este manual pueden anular su garantía para utilizar este equipo.

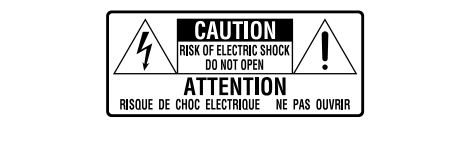
La siguiente declaración de la FCC/C aplica sólo a la versión de este modelo producido para su uso en los EE. UU. y Canadá. Puede que otras versiones no cumplan las regulaciones técnicas de la FCC/IC.

Nota:
Este equipo ha sido probado y se ha comprobado que cumple con los límites para un dispositivo digital de Clase B de acuerdo con la Parte 15 de las Reglas FCC. Dichos límites se establecieron para proporcionar una protección razonable contra interferencias dañinas en una instalación residencial. Este equipo genera, utiliza y puede emitir energía de radiofrecuencia, y, si no se instala y utiliza según las instrucciones, puede causar interferencias dañinas a las radiocomunicaciones. No obstante, no se garantiza que no se producirá interferencia dentro de una instalación en particular. Si este equipo produce interferencias dañinas para la recepción de radio o televisión, cosa que se puede determinar encendiendo y apagando el equipo, se recomienda al usuario que intente corregir dichas interferencias mediante una o varias de las siguientes medidas:
– Cambiar la orientación o la ubicación de la antena de recepción.
– Aumentar la distancia entre el equipo y el receptor.
– Conectar el equipo a un tomacorriente de un circuito distinto del que está enchufado el receptor.
– Ponerse en contacto con el distribuidor o con un técnico capacitado en radio y televisión para que le ayuden.

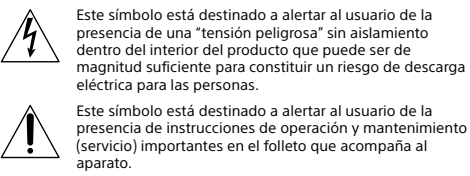
El equipo no debe colocarse ni utilizarse junto con ninguna otra antena o transmisor.

Este equipo cumple con los límites de exposición a la radiación de la FCC/IC establecidos para ambientes no controlados y cumple con las directrices de exposición a radiofrecuencia (RF) de la FCC y con el reglamento de exposición a radiofrecuencia (RF) RSS-102 de la IC. Este equipo se debe instalar y operar manteniendo el radiador a una distancia de por lo menos 20 cm o más del cuerpo de la persona (sin incluir sus extremidades: manos, muñecas, pies y tobillos).

Este dispositivo digital clase B cumple con la Sección 15 de las regulaciones de la FCC y la normativa ICES-003 de Canadá. El funcionamiento depende de las siguientes dos condiciones: (1) este dispositivo no puede ocasionar interferencias perjudiciales, y (2) este dispositivo debe aceptar cualquier interferencia recibida, incluidas las interferencias que puedan ocasionar un funcionamiento no deseado.



La marca de precaución se coloca en el adaptador de ca.



Para clientes de los EE UU y CANADÁ

<b>RECICLADO DE BATERIAS DE IONES DE LITIO</b>
Las baterías de iones de litio son reciclables. Usted podrá ayudar a conservar el medio ambiente devolviendo las baterías usadas al punto de reciclaje más cercano. Para más información sobre el reciclado de baterías, llame al número gratuito 1-800-822-8837, o visite <span>http://www.call2recycle.org</span>
Precaución: No utilice baterías de iones de litio dañadas o con fugas.

Para todas las otras baterías, revise la sección acerca de cómo retirar la batería del producto de manera segura. Entregue la batería gastada en un punto de recolección apropiado para su reciclaje.
Para obtener información más detallada acerca del reciclaje de este producto o su batería, póngase en contacto con el departamento civil local o su servicio de eliminación de desechos o la tienda donde adquirió el producto.

## Precauciones

**Seguridad**